



Chipsmall Limited consists of a professional team with an average of over 10 year of expertise in the distribution of electronic components. Based in Hongkong, we have already established firm and mutual-benefit business relationships with customers from,Europe,America and south Asia,supplying obsolete and hard-to-find components to meet their specific needs.

With the principle of "Quality Parts,Customers Priority,Honest Operation,and Considerate Service",our business mainly focus on the distribution of electronic components. Line cards we deal with include Microchip,ALPS,ROHM,Xilinx,Pulse,ON,Everlight and Freescale. Main products comprise IC,Modules,Potentiometer,IC Socket,Relay,Connector.Our parts cover such applications as commercial,industrial, and automotives areas.

We are looking forward to setting up business relationship with you and hope to provide you with the best service and solution. Let us make a better world for our industry!



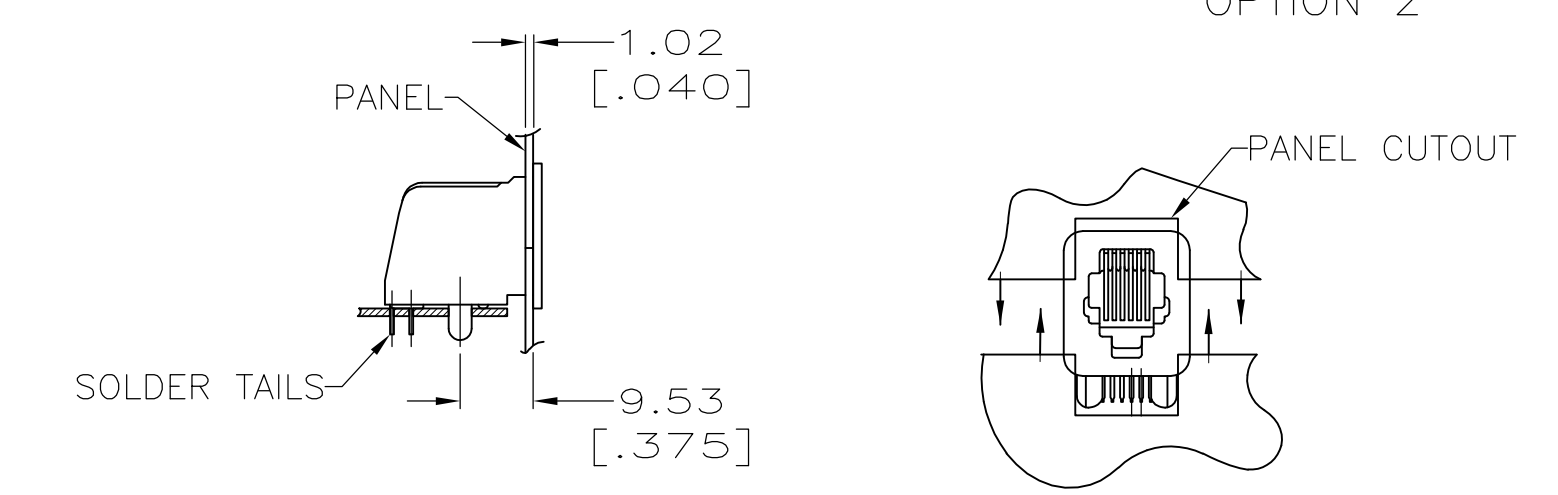
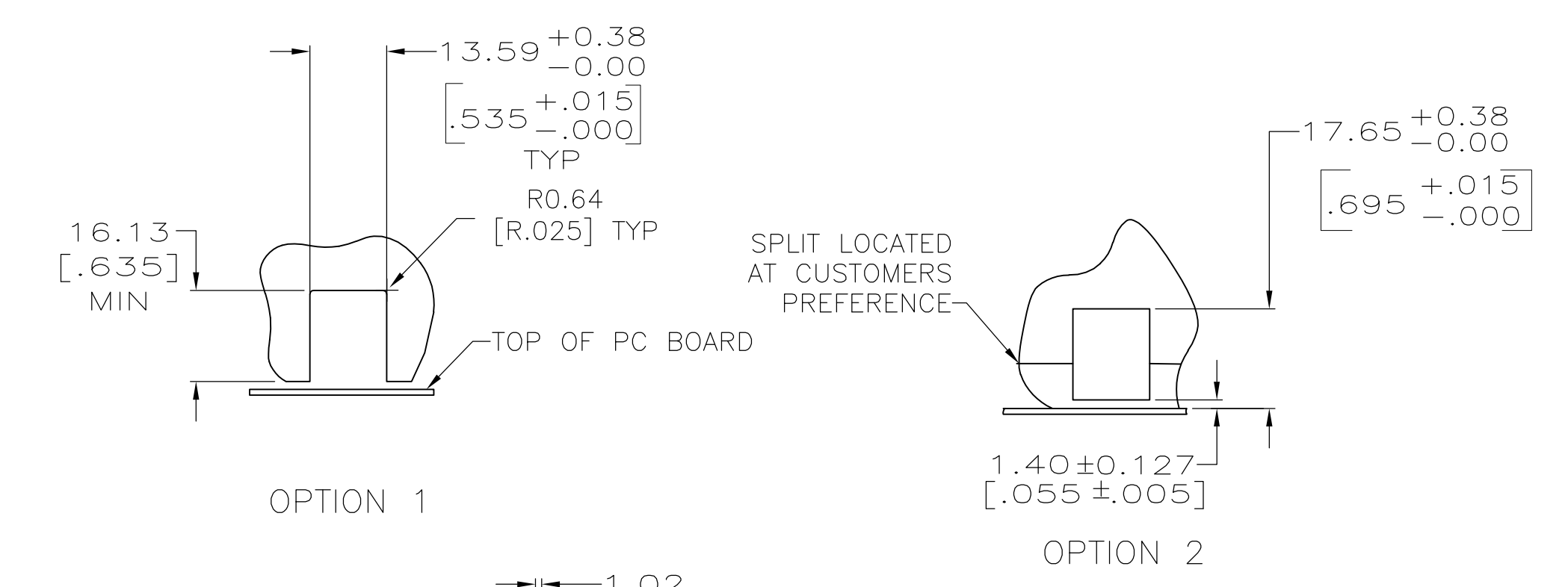
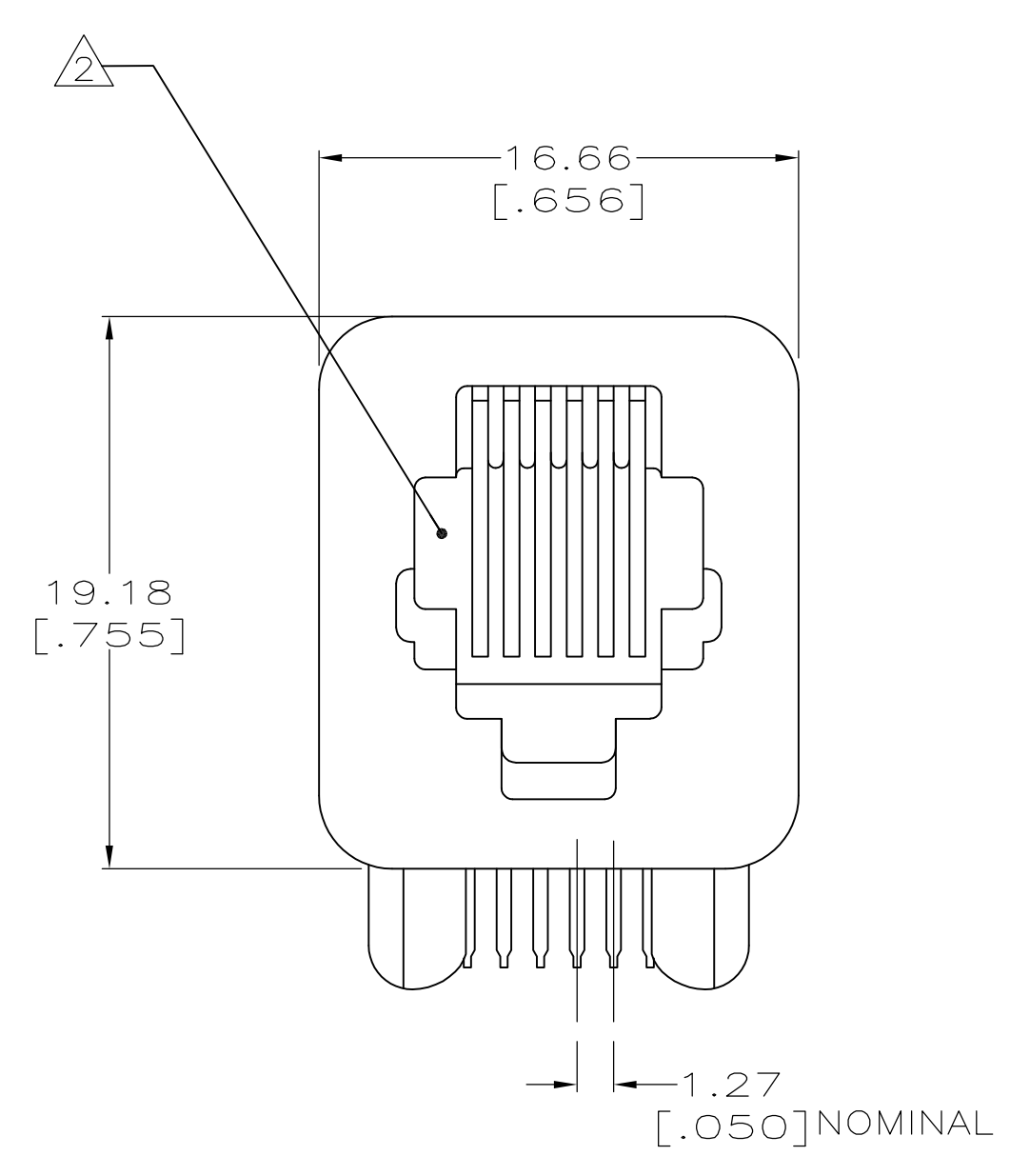
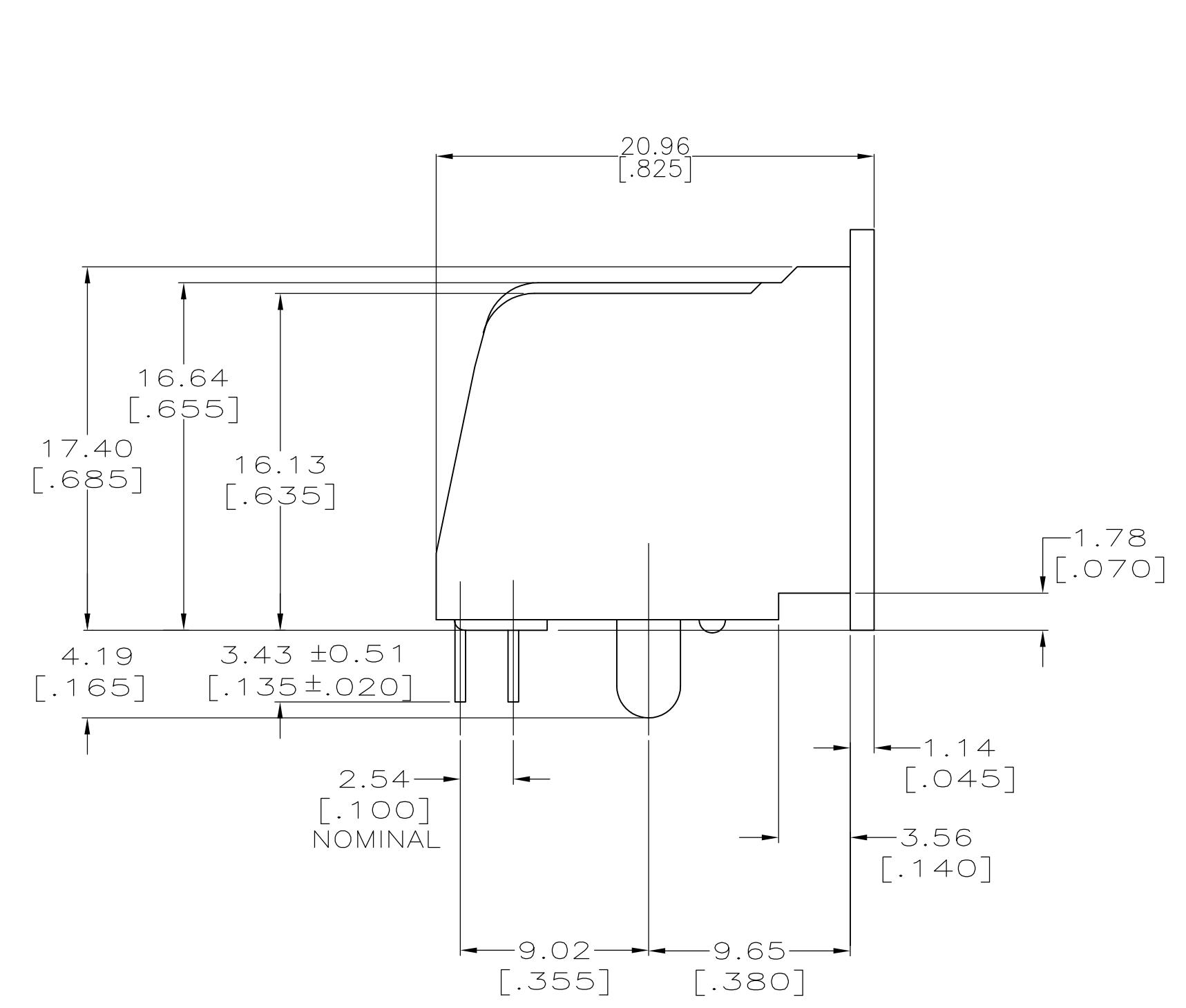
Contact us

Tel: +86-755-8981 8866 Fax: +86-755-8427 6832

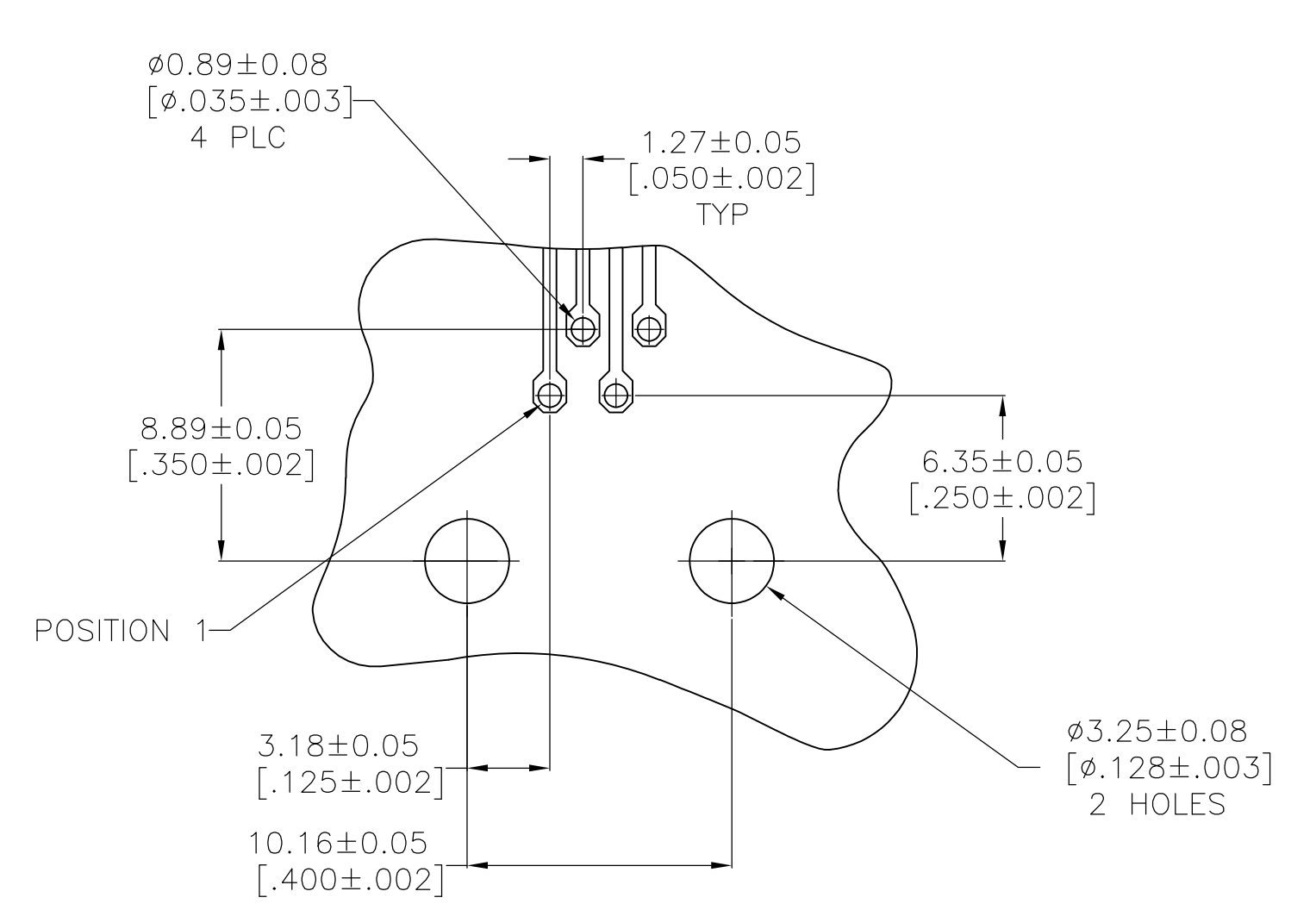
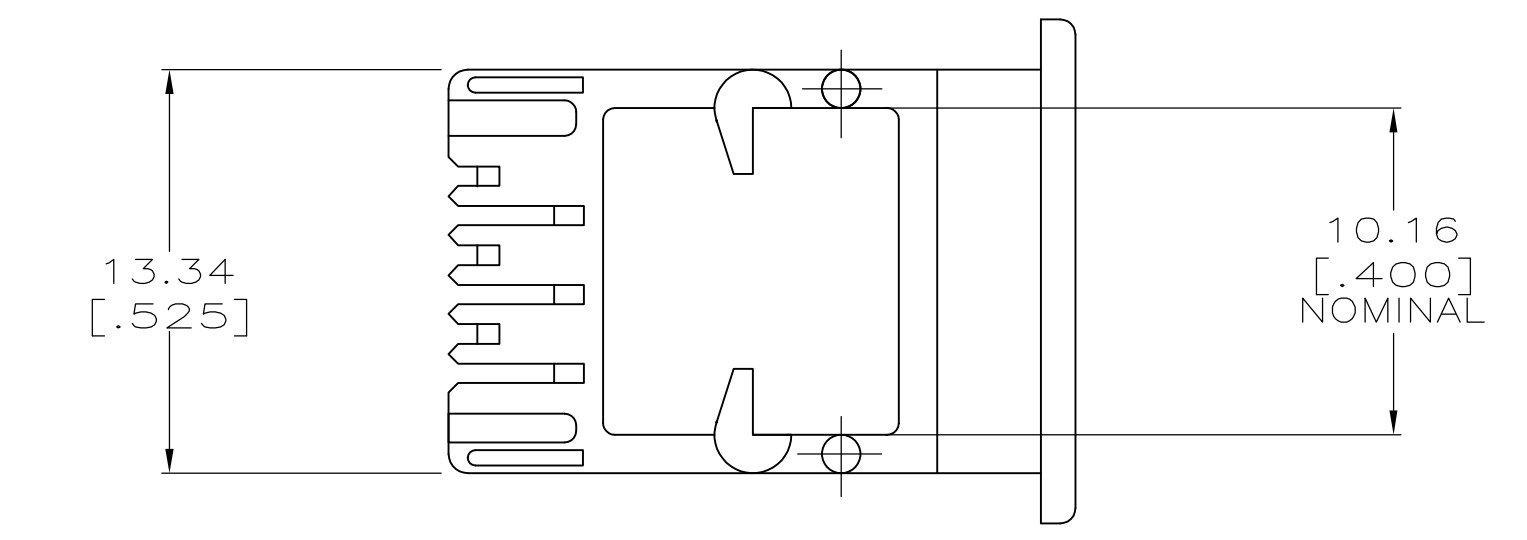
Email & Skype: info@chipsmall.com Web: www.chipsmall.com

Address: A1208, Overseas Decoration Building, #122 Zhenhua RD., Futian, Shenzhen, China

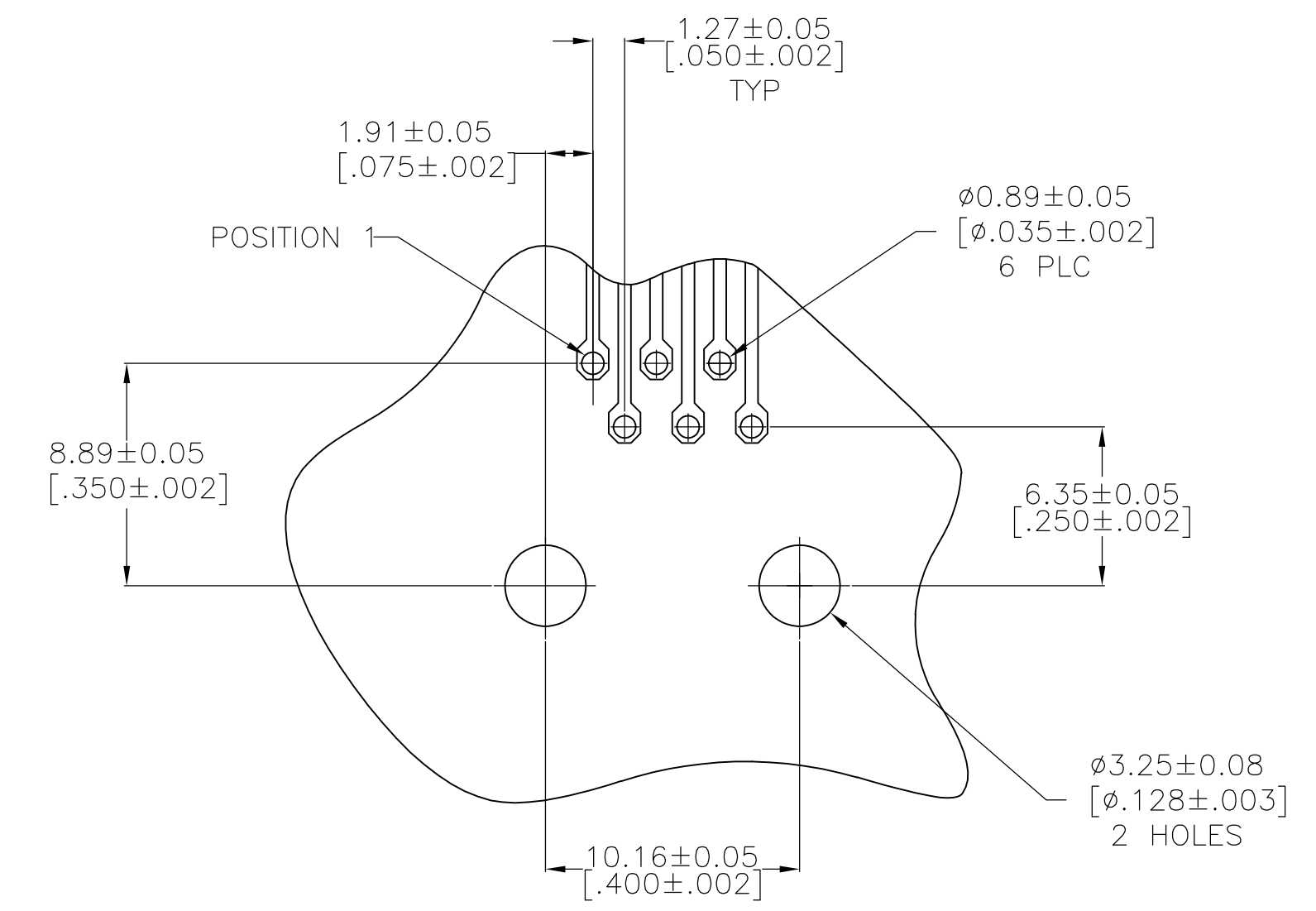




SUGGESTED PANEL CUTOUT GUIDELINES
 SCALE 1:1



RECOMMENDED PRINTED CIRCUIT BOARD LAYOUT
 FOR FOUR CONTACTS
 COMPONENT SIDE



RECOMMENDED PRINTED CIRCUIT BOARD LAYOUT
 FOR SIX CONTACTS
 COMPONENT SIDE

- 1 MATERIAL:
 HOUSING - PBT POLYESTER, BLACK.
 TERMINAL - 0.36 [.014] THICK PH05 BRONZE PLATED WITH 1.27µm [.000050] MINIMUM THICK HARD GOLD IN LOCALIZED GOLD PLATE AREA AND 3.81µm [.000150] THICK MATTE TIN IN SOLDER AREA OVER 1.27µm [.000050] MINIMUM THICK NICKEL UNDERPLATE.
- 2 CAVITY CONFORMS TO FCC RULES AND REGULATION PART 68 AND REA BULLETIN 345-81, PE-76 SPECIFICATION FOR MODULAR TELEPHONE HARDWARE.
- 3 ALL DIMENSION ARE MAXIMUM UNLESS OTHERWISE SPECIFIED.

6	5520242-3
4	5520242-2
CONTACTS	PART NO.

THIS DRAWING IS A CONTROLLED DOCUMENT.		DIN J. ALCORTA - 17JUN2005	Tyco Electronics Corporation Harrisburg, PA 17105-3608	
DIMENSIONS: mm [INCHES]		DOCK#5 J. WESTMAN - 17JUN2005	Tyco Electronics	
TOLERANCES UNLESS OTHERWISE SPECIFIED:		APVD S. FLICKINGER - 17JUN2005	NAME PRINTED CIRCUIT BOARD MODULAR JACK ASSEMBLY SIDE ENTRY, 6 POSITION, FLANGED	
0 PLC ± -		PRODUCT SPEC 108-1163	SIZE A1	
1 PLC ± -		APPLICATION SPEC 114-2048	CAGE CODE 00779	
2 PLC ± -		WEIGHT -	DRAWING NO. 5520242	
3 PLC ± -		CUSTOMER DRAWING		
4 PLC ± -		SCALE 4:1 SHEET 1 OF 1 REV C		
ANGLES ± -				
FINISH				