



Chipsmall Limited consists of a professional team with an average of over 10 year of expertise in the distribution of electronic components. Based in Hongkong, we have already established firm and mutual-benefit business relationships with customers from,Europe,America and south Asia,supplying obsolete and hard-to-find components to meet their specific needs.

With the principle of “Quality Parts,Customers Priority,Honest Operation,and Considerate Service”,our business mainly focus on the distribution of electronic components. Line cards we deal with include Microchip,ALPS,ROHM,Xilinx,Pulse,ON,Everlight and Freescale. Main products comprise IC,Modules,Potentiometer,IC Socket,Relay,Connector.Our parts cover such applications as commercial,industrial, and automotives areas.

We are looking forward to setting up business relationship with you and hope to provide you with the best service and solution. Let us make a better world for our industry!



Contact us

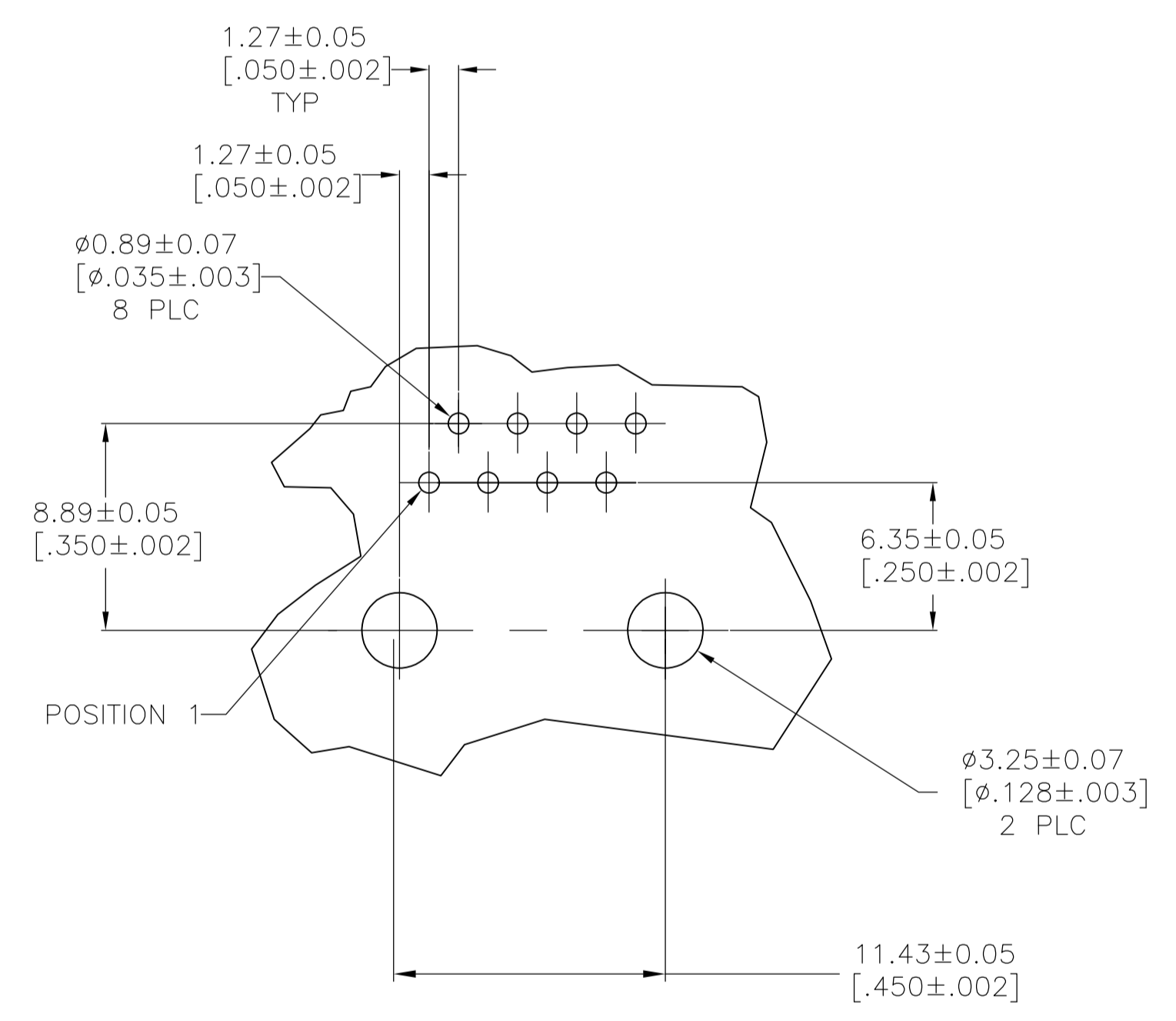
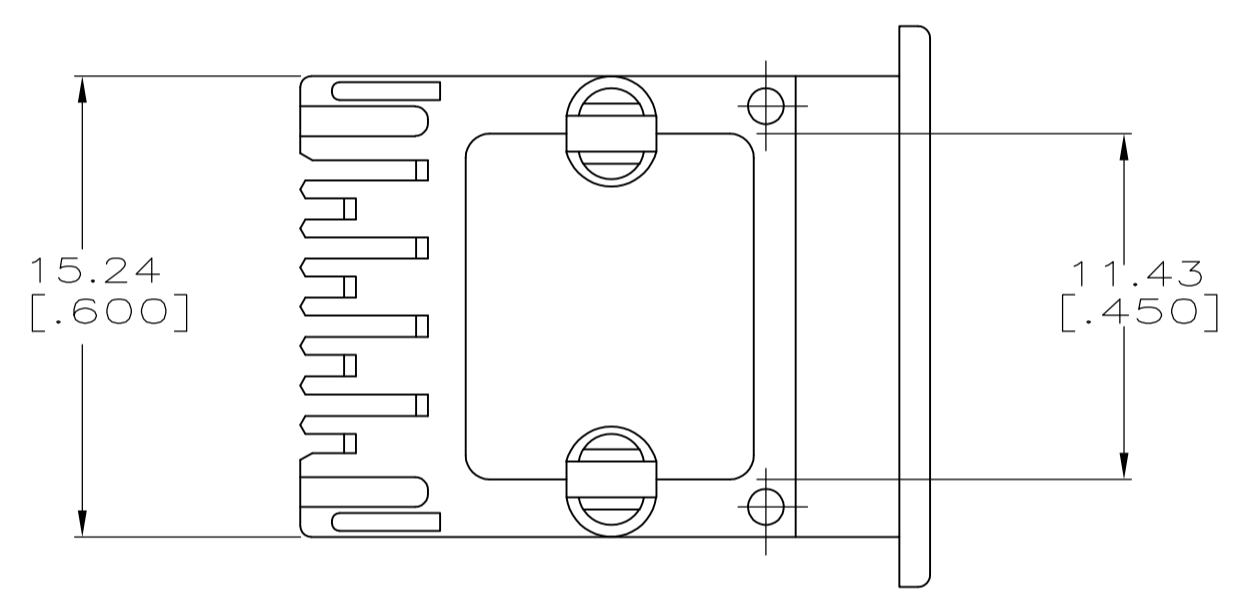
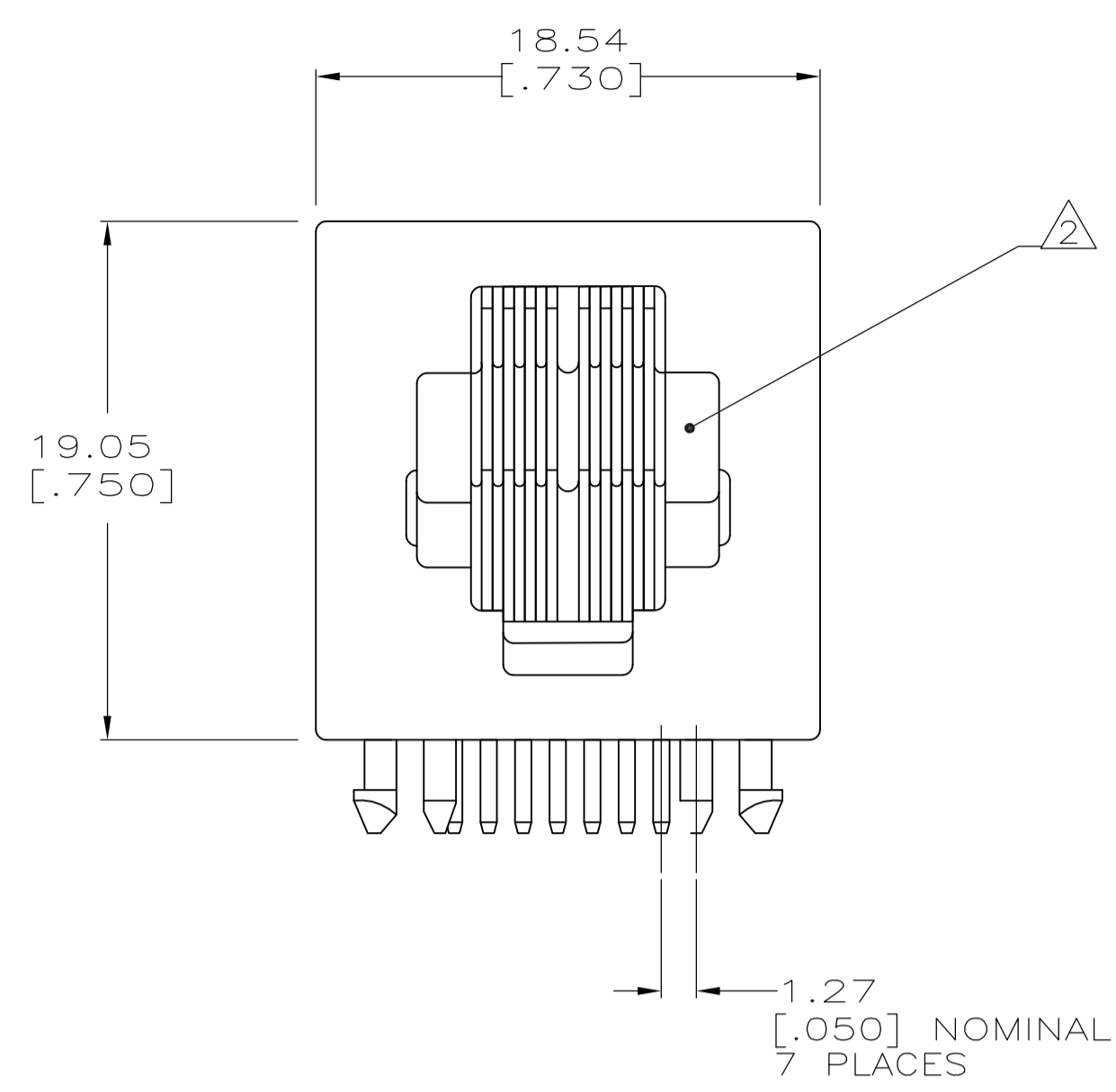
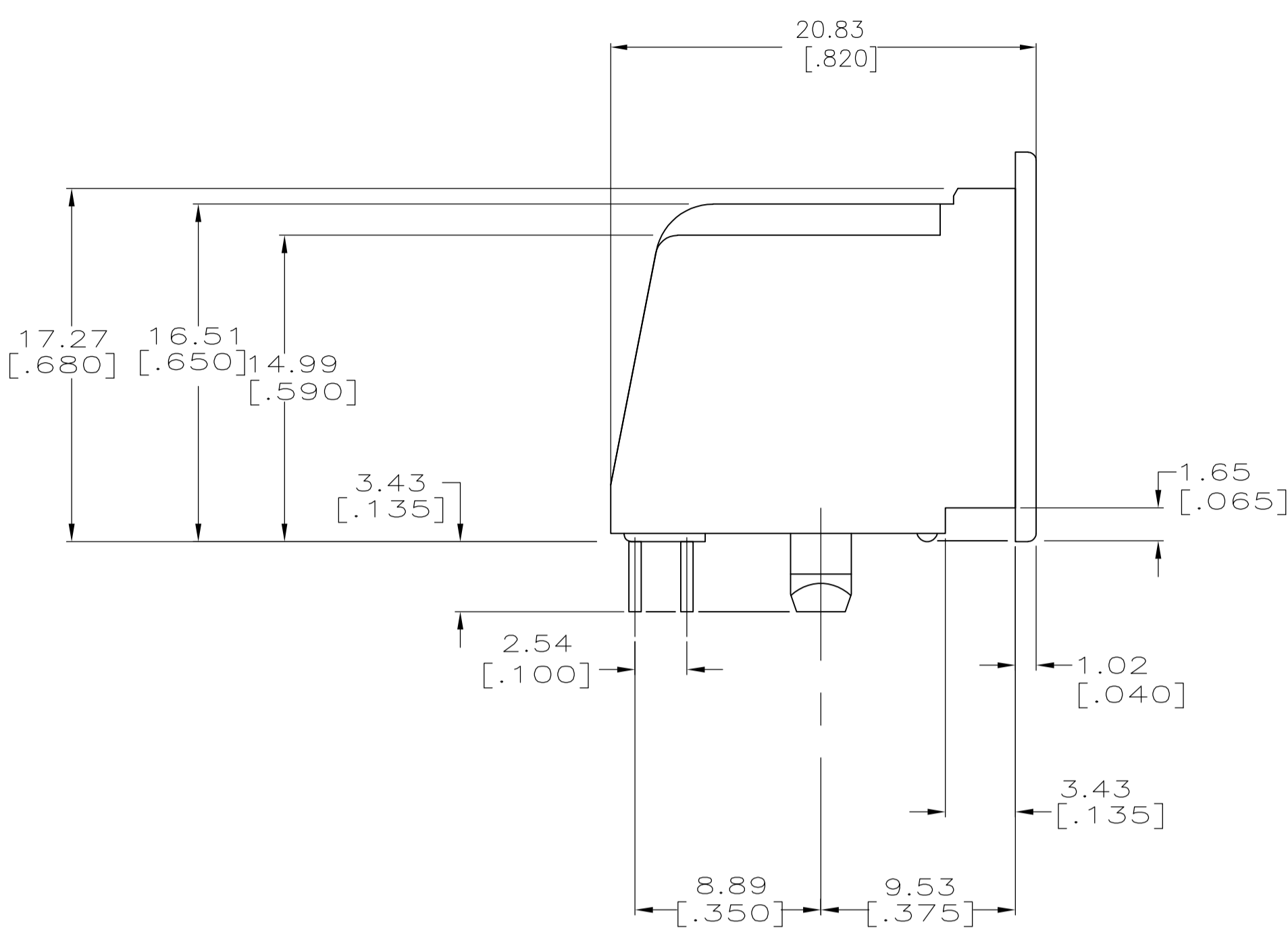
Tel: +86-755-8981 8866 Fax: +86-755-8427 6832

Email & Skype: info@chipsmall.com Web: www.chipsmall.com

Address: A1208, Overseas Decoration Building, #122 Zhenhua RD., Futian, Shenzhen, China

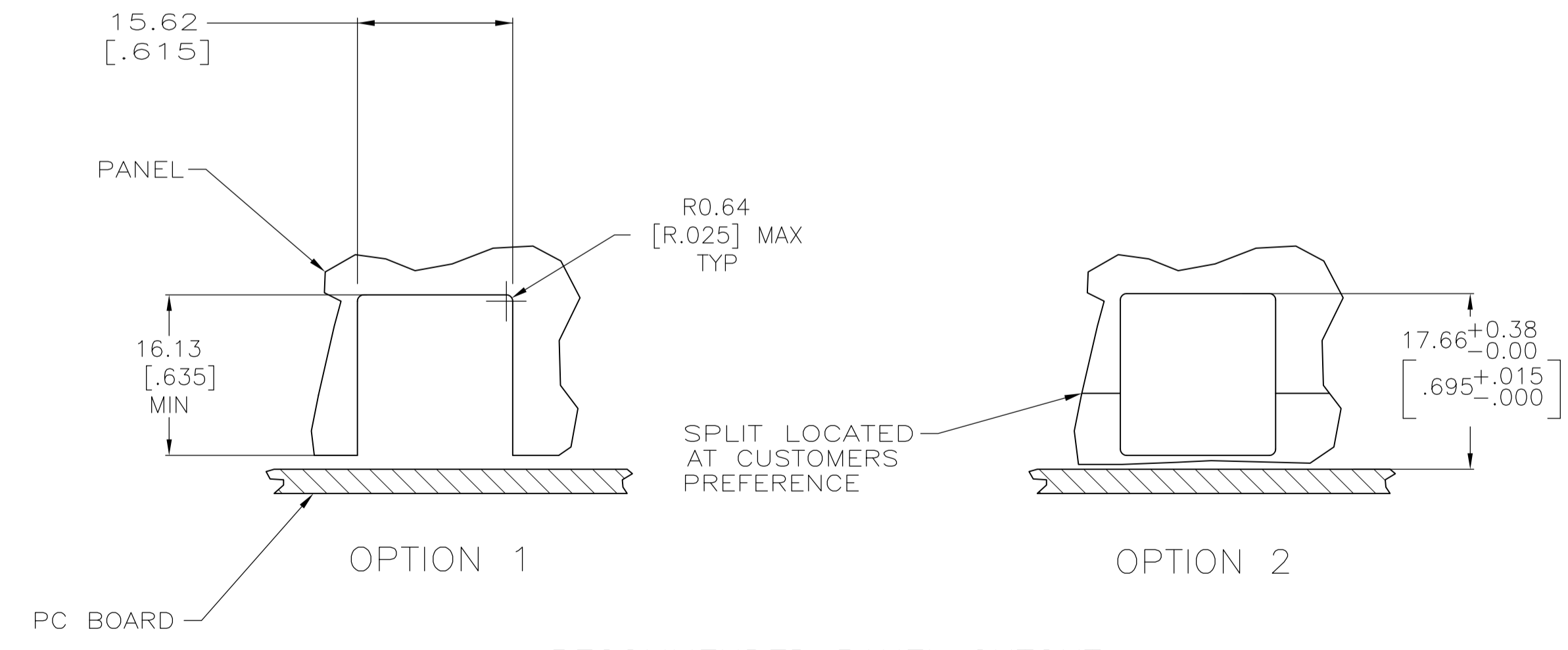


LOC		DIST		REVISIONS			
P	LTR	DESCRIPTION	DATE	DN	APVD		
B	ECO-07-019669		23AUG2007	LAM	PR		



RECOMMENDED PRINTED CIRCUIT BOARD LAYOUT
 COMPONENT SIDE

- MATERIAL: HOUSING - PBT POLYESTER, BLACK.
 TERMINAL - 0.36 [.014] THICK PHOS BRONZE
 PLATED WITH 1.27µm [.000050] MINIMUM THICK HARD
 GOLD IN LOCALIZED GOLD PLATE AREA & 3.81µm
 [.000150] MINIMUM THICK MATTE TIN IN SOLDER AREA
 OVER 1.27µm [.000050] MINIMUM THICK NICKEL UNDERPLATE.
- △ CAVITY CONFORMS TO FCC RULES AND REGULATIONS
 PART 68 AND REA BULLETIN 345-81, PE-76
 SPECIFICATIONS FOR MODULAR TELEPHONE HARDWARE.



RECOMMENDED PANEL CUTOUT
 SCALE 2:1

8	5520243-4
CONTACTS	PART NO

THIS DRAWING IS A CONTROLLED DOCUMENT.		DIN J. ALCORTA - 17JUN2005		Tyco Electronics Corporation	
DIMENSIONS: mm [INCHES]		DOCK 5 17JUN2005		Harrisburg, Pa 17105-3608	
TOLERANCES UNLESS OTHERWISE SPECIFIED:		APVD S. FLICKINGER 17JUN2005		NAME PRINTED CIRCUIT BOARD	
0 PLC ± -		PRODUCT SPEC 108-1163		MODULAR JACK ASSEMBLY, SIDE ENTRY,	
1 PLC ± -		APPLICATION SPEC 114-2048		8 POSITION, FLANGED	
2 PLC ± -		SIZE CAGE CODE DRAWING NO		RESTRICTED TO	
3 PLC ± 0.13[.005]		A1 00779 C=5520243		-	
4 PLC ± -		WEIGHT		-	
ANGLES ± -		CUSTOMER DRAWING		SCALE 4:1 SHEET 1 OF 1 REV B	
MATERIAL SEE NOTE 1		FINISH SEE NOTE 1			