



Chipsmall Limited consists of a professional team with an average of over 10 year of expertise in the distribution of electronic components. Based in Hongkong, we have already established firm and mutual-benefit business relationships with customers from,Europe,America and south Asia,supplying obsolete and hard-to-find components to meet their specific needs.

With the principle of "Quality Parts,Customers Priority,Honest Operation,and Considerate Service",our business mainly focus on the distribution of electronic components. Line cards we deal with include Microchip,ALPS,ROHM,Xilinx,Pulse,ON,Everlight and Freescale. Main products comprise IC,Modules,Potentiometer,IC Socket,Relay,Connector.Our parts cover such applications as commercial,industrial, and automotives areas.

We are looking forward to setting up business relationship with you and hope to provide you with the best service and solution. Let us make a better world for our industry!



Contact us

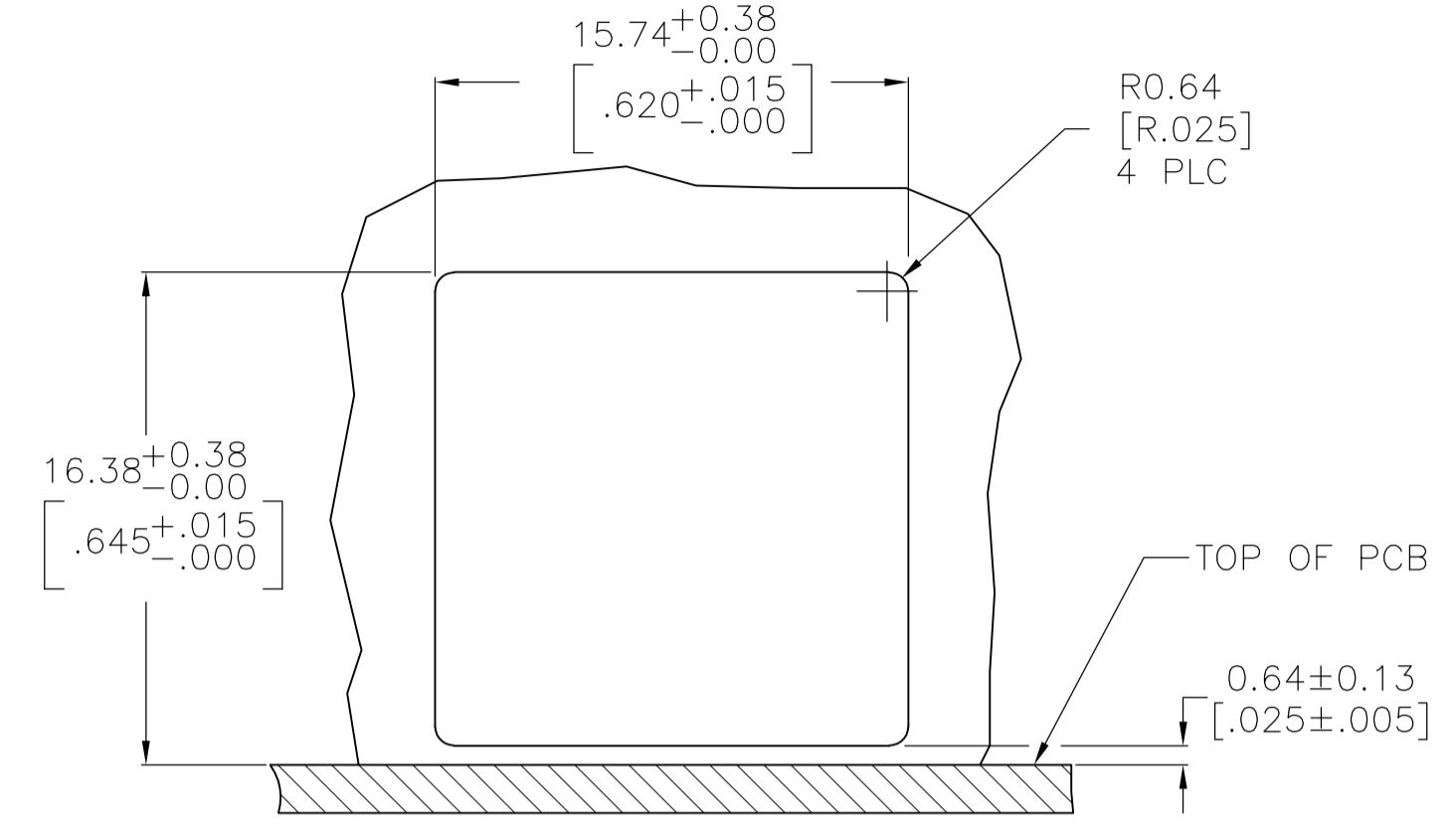
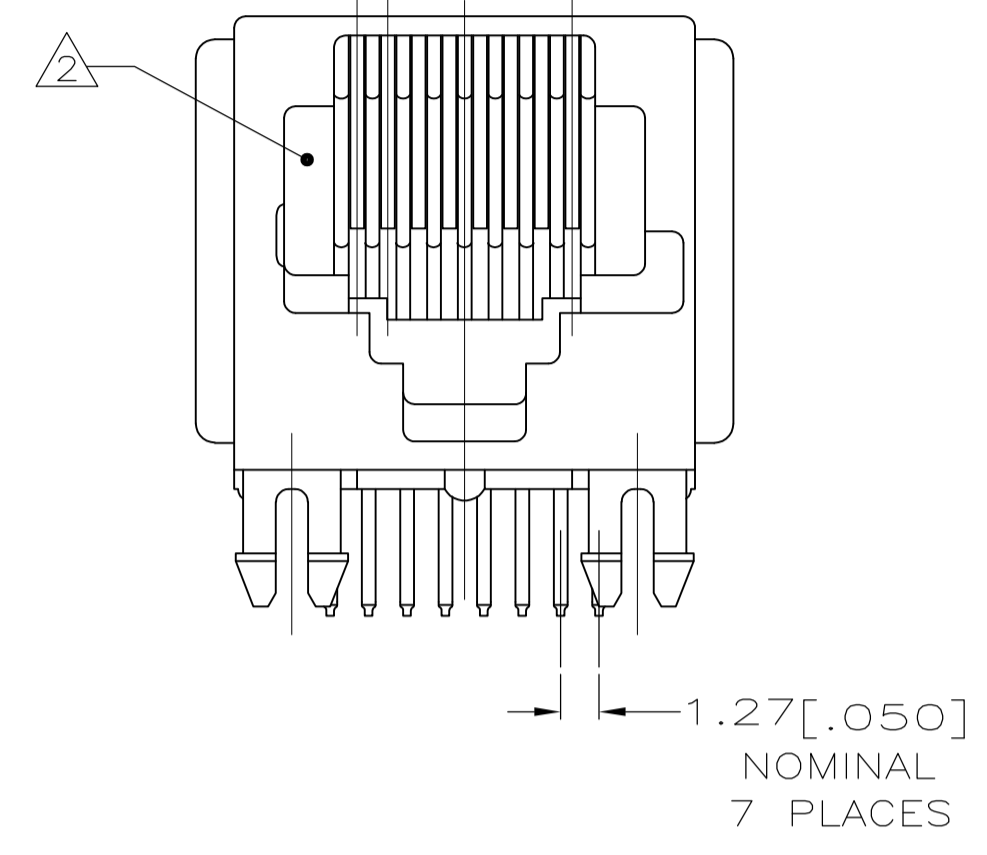
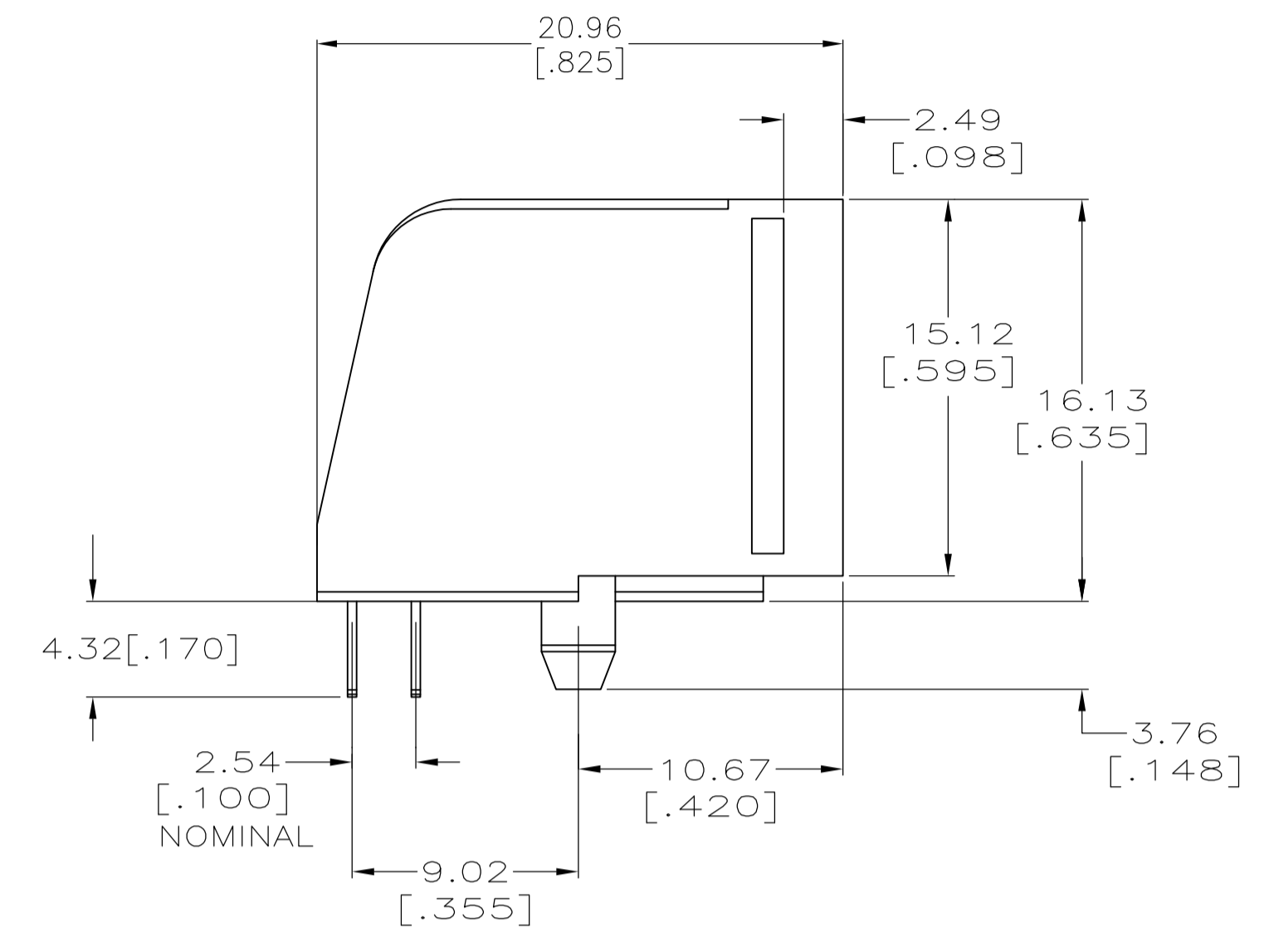
Tel: +86-755-8981 8866 Fax: +86-755-8427 6832

Email & Skype: info@chipsmall.com Web: www.chipsmall.com

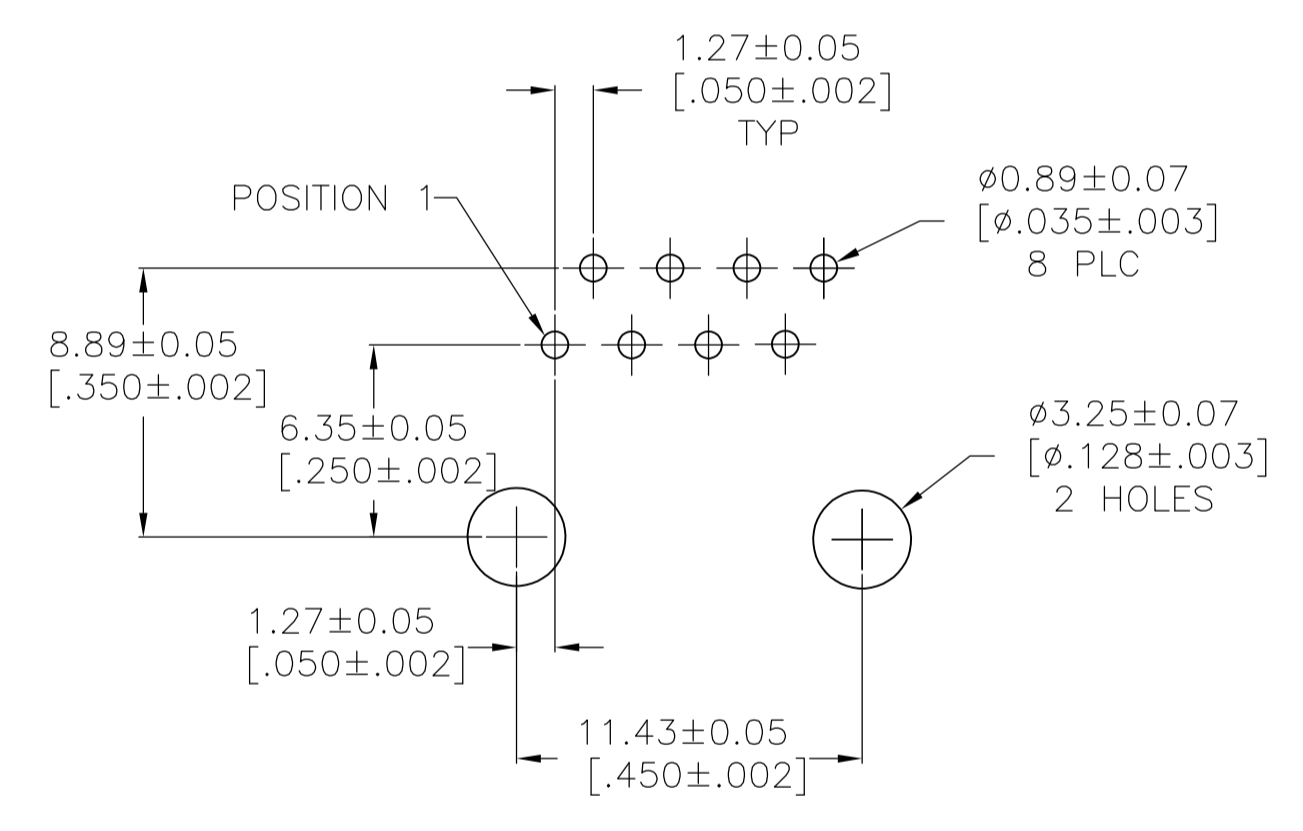
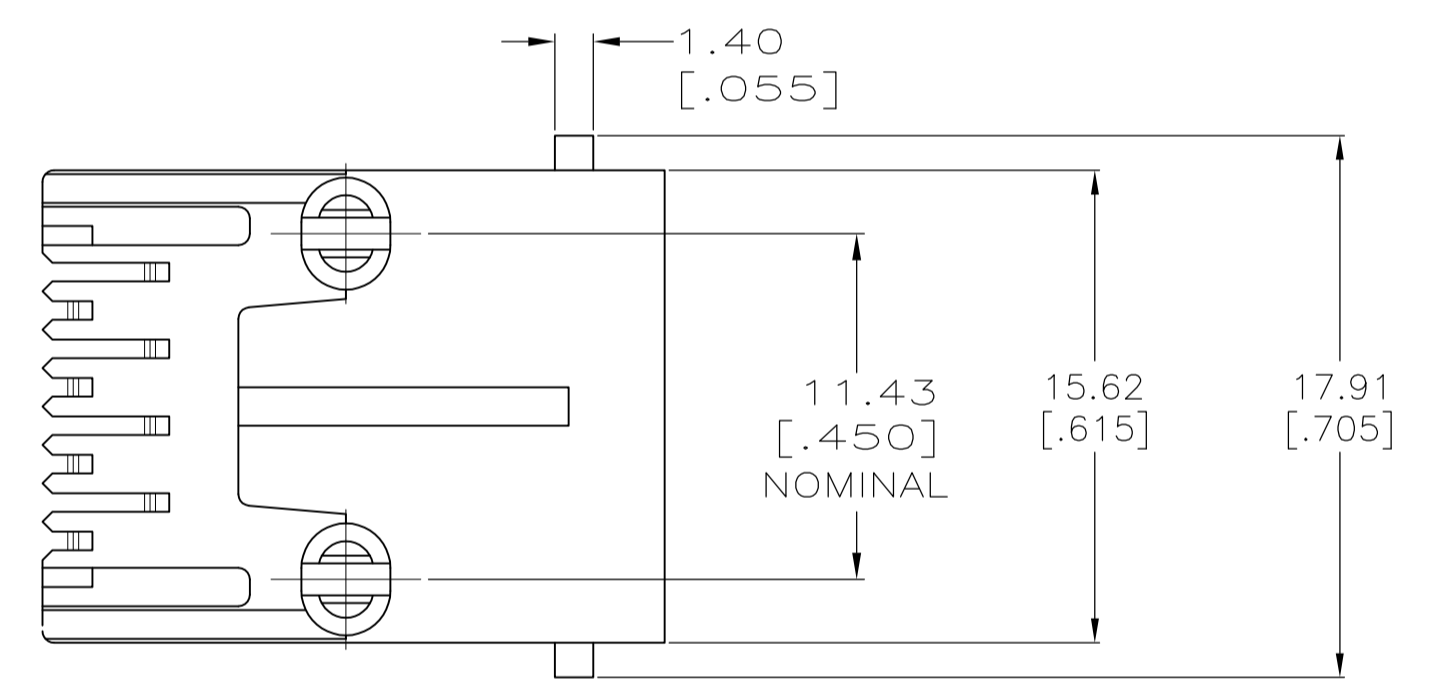
Address: A1208, Overseas Decoration Building, #122 Zhenhua RD., Futian, Shenzhen, China



LOC		DIST		REVISIONS			
P	LTR	DESCRIPTION	DATE	DWN	APVD		
B1		REVISED PER ECO-11-005033	23MAR11	RK	HMR		



- MATERIAL: HOUSING PBT POLYESTER, COLOR: BLACK. TERMINAL-0.36 [0.014] THICK PHOS-BRONZE PLATED WITH 1.27um [0.00050] MINIMUM THICK HARD GOLD IN LOCALIZED GOLD PLATE AREA AND 3.81um [0.00150] MINIMUM THICK MATTE TIN IN SOLDER AREA OVER 1.27um [0.00050] MINIMUM THICK NICKEL UNDERPLATE.
- CAVITY CONFORMS TO FCC RULES AND REGULATIONS PART 68 AND REA BULLETIN 345-81, PE-76 SPECIFICATION FOR MODULAR TELEPHONE HARDWARE.
- ALL DIMENSIONS SHOWN ARE MAXIMUM UNLESS OTHERWISE SPECIFIED.



RECOMMENDED PRINTED CIRCUIT BOARD LAYOUT COMPONENT SIDE SHOWN

8	5520252-4
CONTACTS	PART NUMBER

THIS DRAWING IS A CONTROLLED DOCUMENT.		DIN G. ATTADIA - 06/JUN/2005		TE Connectivity	
DIMENSIONS: mm [INCHES]		CHK J. WESTMAN 06/JUN/2005		NAME	
TOLERANCES UNLESS OTHERWISE SPECIFIED:		APVD S. FLICKINGER 06/JUN/2005		MODULAR JACK ASSEMBLY, SIDE ENTRY, 8 POSITION, KEYED, FLANGELESS, WITH PANEL STOPS	
0 PLC ± -		PRODUCT SPEC		SIZE	
1 PLC ± -		108-1163		CAGE CODE	
2 PLC ± 0.13[005]		APPLICATION SPEC		DRAWING NO	
3 PLC ± -		114-2048		RESTRICTED TO	
4 PLC ± -		WEIGHT		A1 00779 5520252	
ANGLES ± -		CUSTOMER DRAWING		SCALE 4:1 SHEET 1 OF 1 REV B1	