



Chipsmall Limited consists of a professional team with an average of over 10 year of expertise in the distribution of electronic components. Based in Hongkong, we have already established firm and mutual-benefit business relationships with customers from,Europe,America and south Asia,supplying obsolete and hard-to-find components to meet their specific needs.

With the principle of "Quality Parts,Customers Priority,Honest Operation,and Considerate Service",our business mainly focus on the distribution of electronic components. Line cards we deal with include Microchip,ALPS,ROHM,Xilinx,Pulse,ON,Everlight and Freescale. Main products comprise IC,Modules,Potentiometer,IC Socket,Relay,Connector.Our parts cover such applications as commercial,industrial, and automotives areas.

We are looking forward to setting up business relationship with you and hope to provide you with the best service and solution. Let us make a better world for our industry!



Contact us

Tel: +86-755-8981 8866 Fax: +86-755-8427 6832

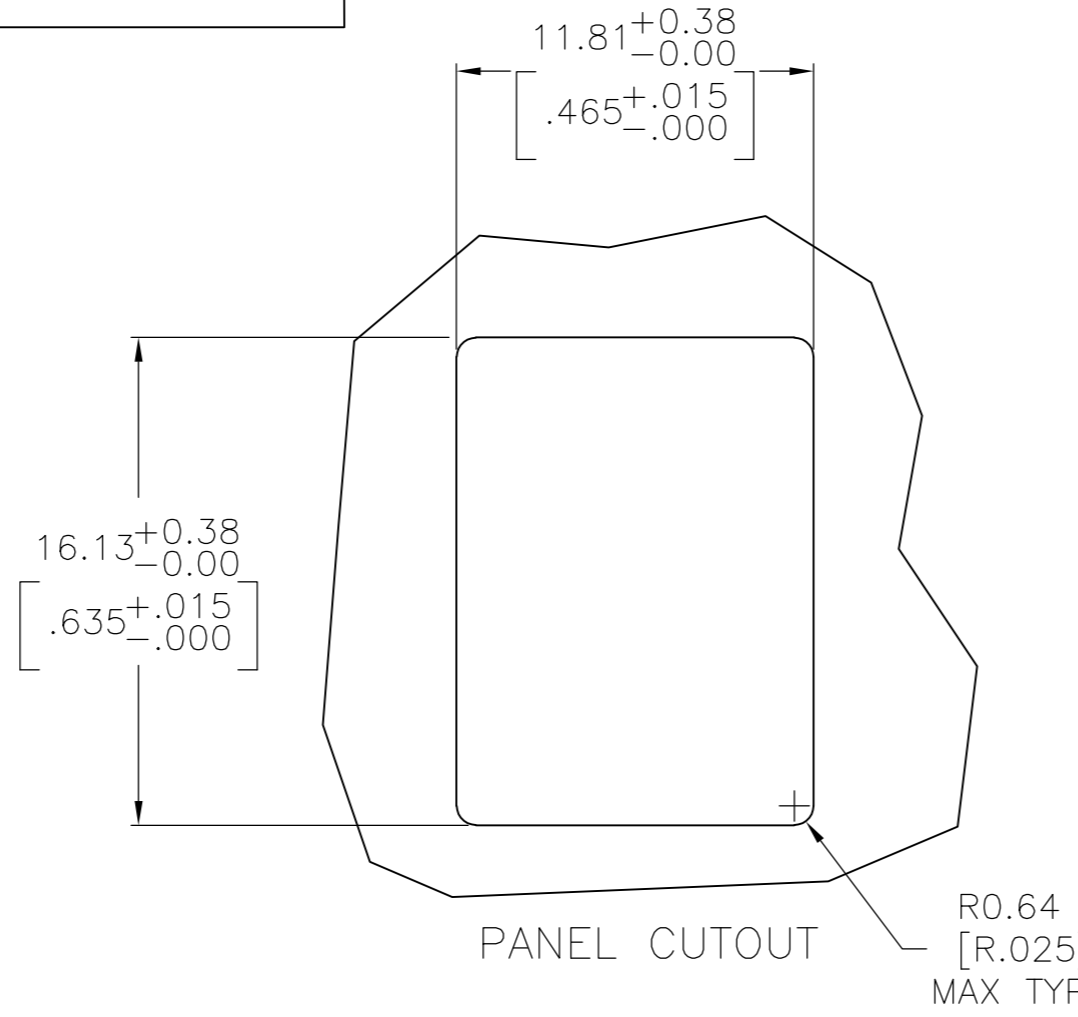
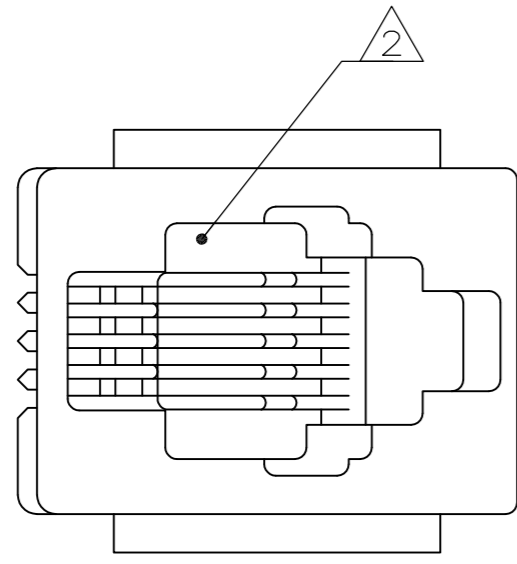
Email & Skype: info@chipsmall.com Web: www.chipsmall.com

Address: A1208, Overseas Decoration Building, #122 Zhenhua RD., Futian, Shenzhen, China



THIS DRAWING IS UNPUBLISHED. RELEASED FOR PUBLICATION
 © COPYRIGHT - By - ALL RIGHTS RESERVED.

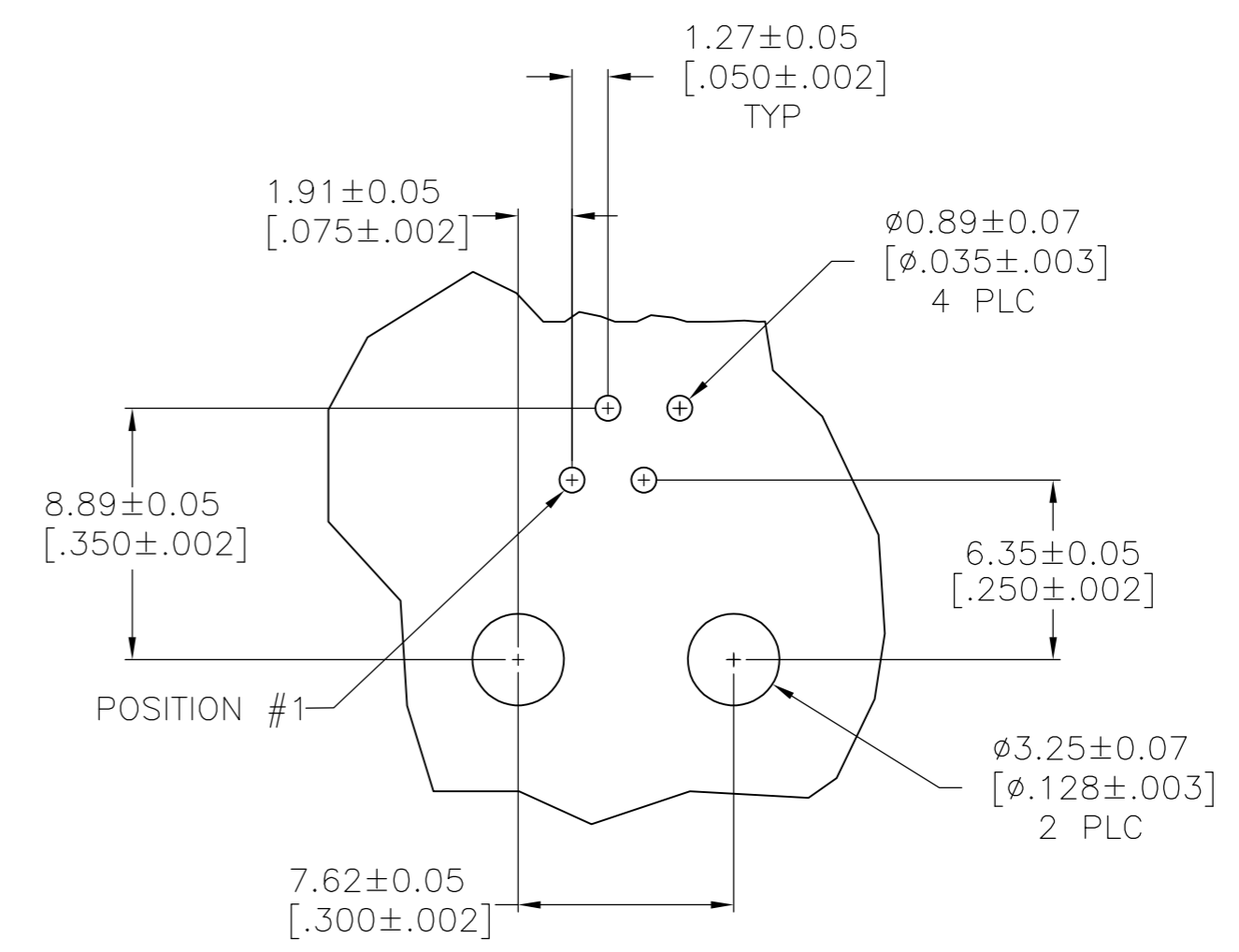
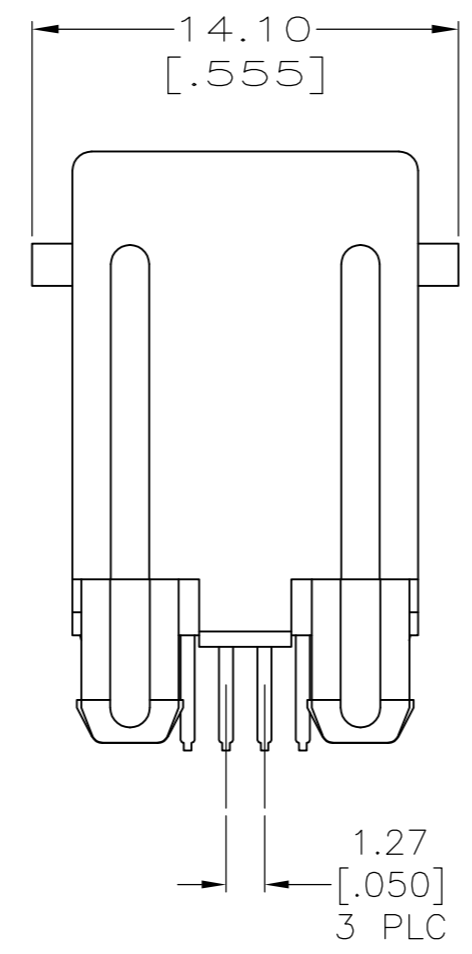
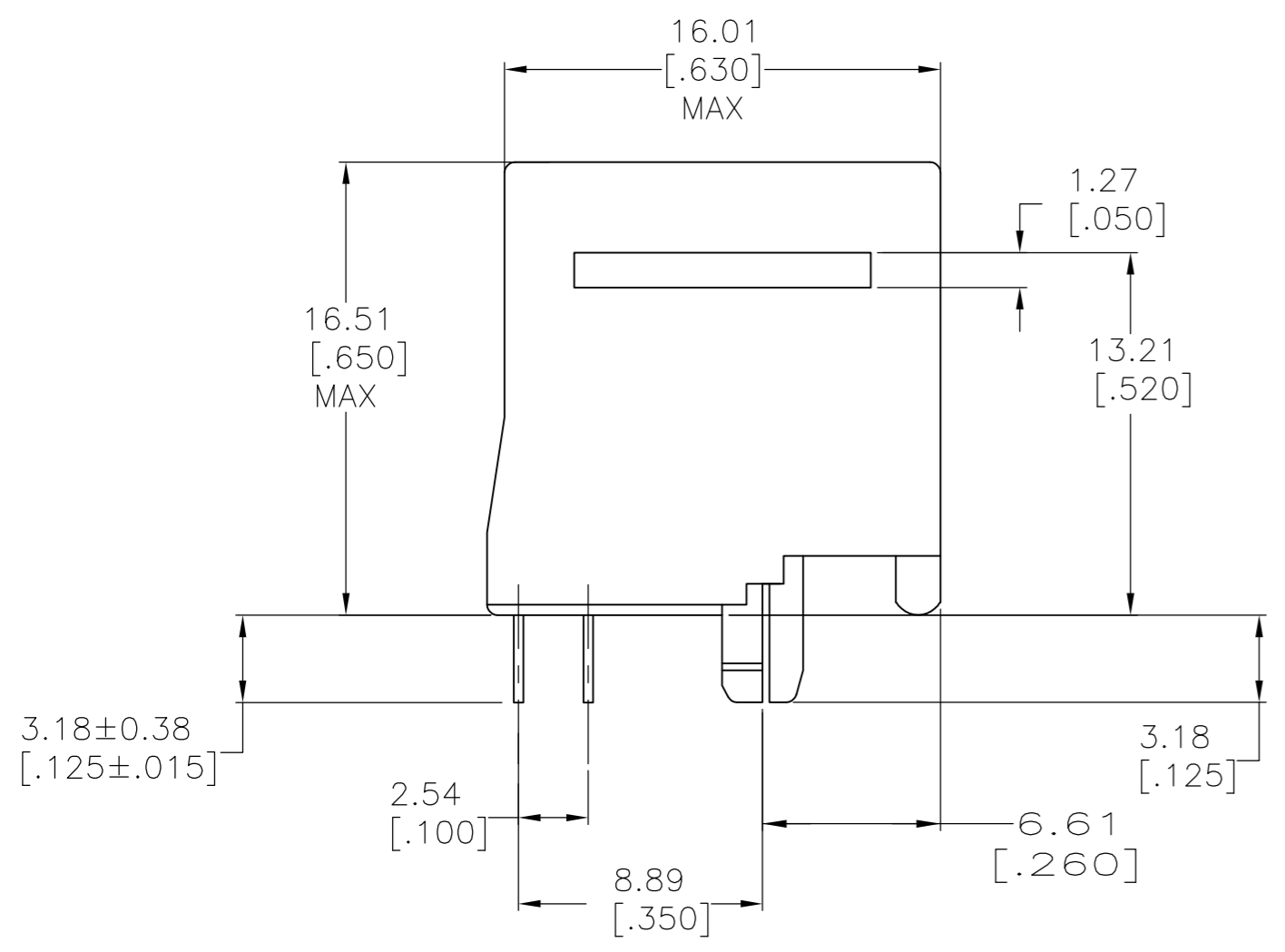
LOC	DIST	REVISIONS			
P	LTR	DESCRIPTION	DATE	DWN	APVD
AA	00	B1 REVISED PER ECO-11-005033	23MAR11	RK	HMR



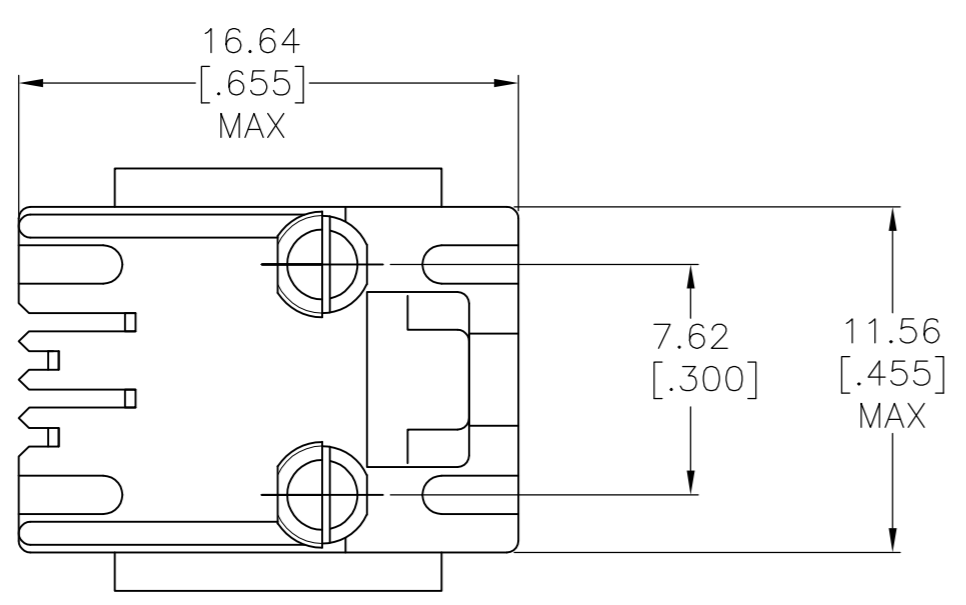
1. MATERIAL: HOUSING - PBT POLYESTER, COLOR: BLACK.
 TERMINAL - 0.36[.014] THICK PHOS BRONZE PLATED WITH 1.27μm[.000050] MINIMUM THICK HARD GOLD IN LOCALIZED GOLD PLATE AREA AND 3.81μm[.000150] MINIMUM THICK MATTE TIN IN SOLDER AREA OVER 1.27μm[.000050] MINIMUM THICK NICKEL UNDERPLATE.

△2 CAVITY CONFORMS TO FCC RULES AND REGULATIONS PART 68 AND REA BULLETIN 345-.81 PE-76 SPECIFICATION FOR MODULAR TELEPHONE HARDWARE.

△3 BULK PACKAGED IN A TRAY.



SUGGESTED PRINTED CIRCUIT BOARD LAYOUT COMPONENT SIDE



△3	5520257-2
PACKAGED	PART NUMBER

THIS DRAWING IS A CONTROLLED DOCUMENT.		DWN L.A.MAYER 16AUG2007	TE Connectivity	
DIMENSIONS: mm [INCHES]		CHK P.RECCE 16AUG2007		
TOLERANCES UNLESS OTHERWISE SPECIFIED:		APVD S.FLICKINGER 16AUG2007	NAME	
0 PLC ± -		PRODUCT SPEC	108-1163	
1 PLC ± -		APPLICATION SPEC	114-2048	
2 PLC ± 0.13[.005]		WEIGHT	-	
3 PLC ± -		CUSTOMER DRAWING	SCALE 4:1 SHEET 1 OF 1 REV B1	
4 PLC ± -				
ANGLES ± -				
FINISH				
SEE NOTE 1				