



Chipsmall Limited consists of a professional team with an average of over 10 year of expertise in the distribution of electronic components. Based in Hongkong, we have already established firm and mutual-benefit business relationships with customers from,Europe,America and south Asia,supplying obsolete and hard-to-find components to meet their specific needs.

With the principle of “Quality Parts,Customers Priority,Honest Operation,and Considerate Service”,our business mainly focus on the distribution of electronic components. Line cards we deal with include Microchip,ALPS,ROHM,Xilinx,Pulse,ON,Everlight and Freescale. Main products comprise IC,Modules,Potentiometer,IC Socket,Relay,Connector.Our parts cover such applications as commercial,industrial, and automotives areas.

We are looking forward to setting up business relationship with you and hope to provide you with the best service and solution. Let us make a better world for our industry!



Contact us

Tel: +86-755-8981 8866 Fax: +86-755-8427 6832

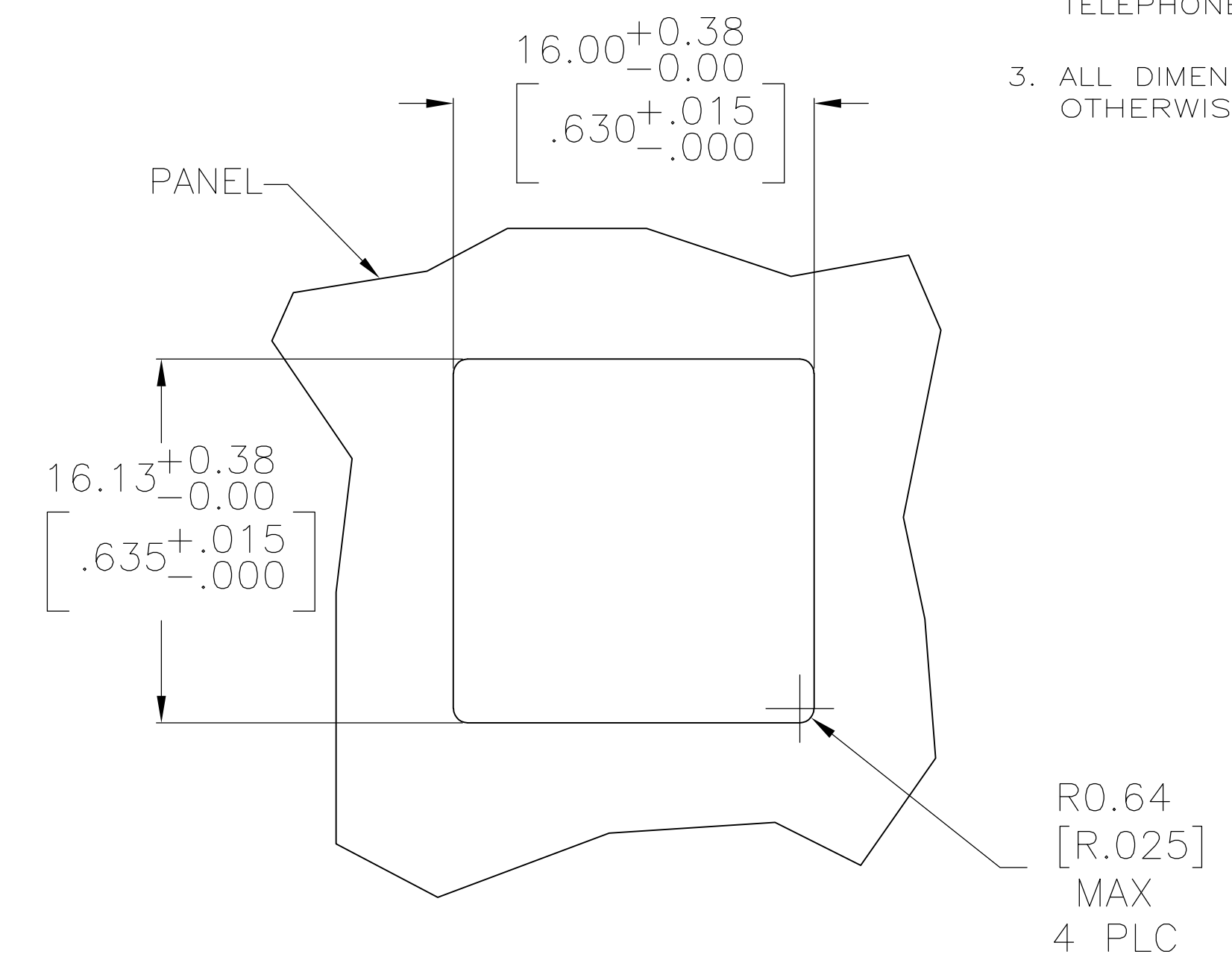
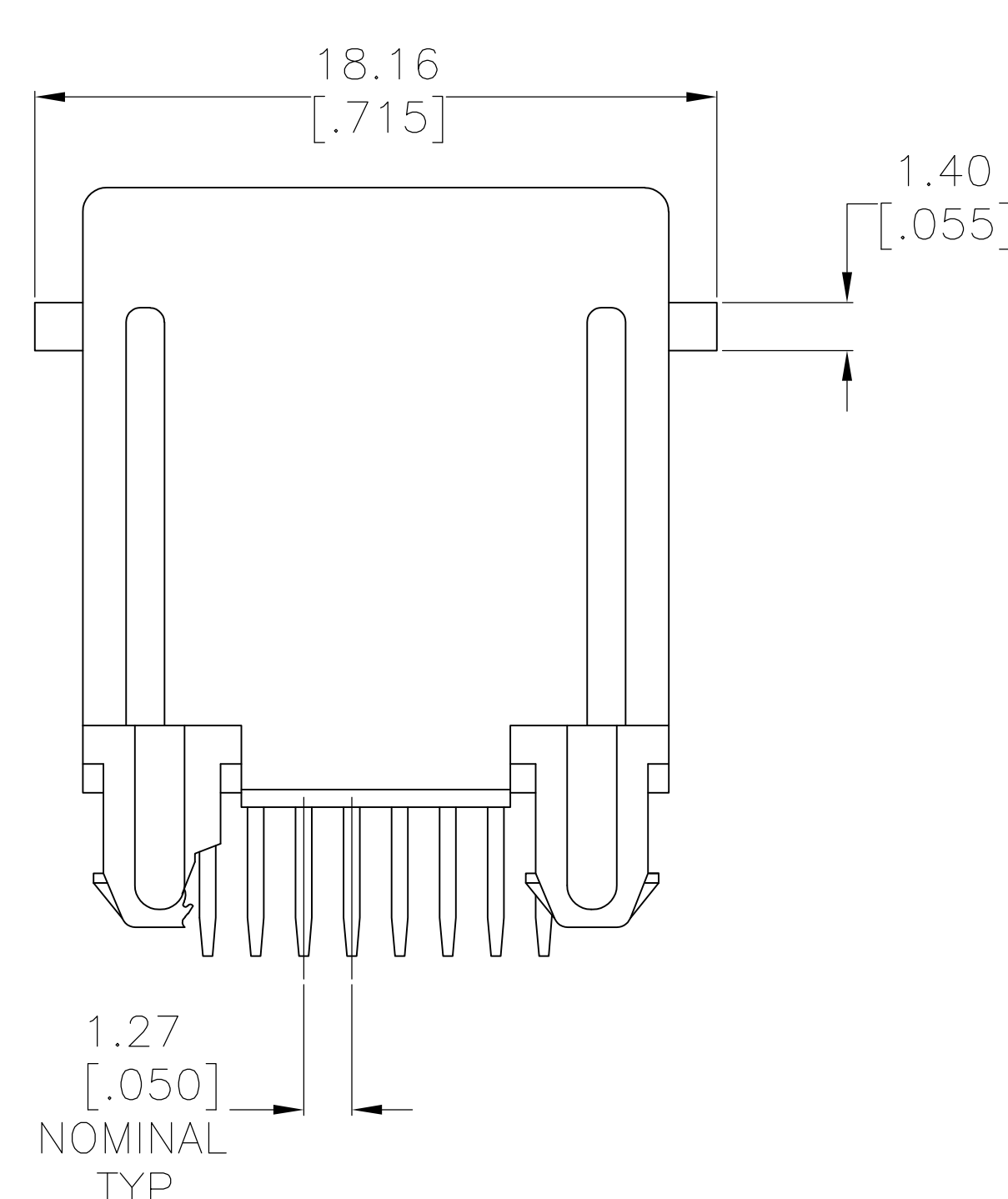
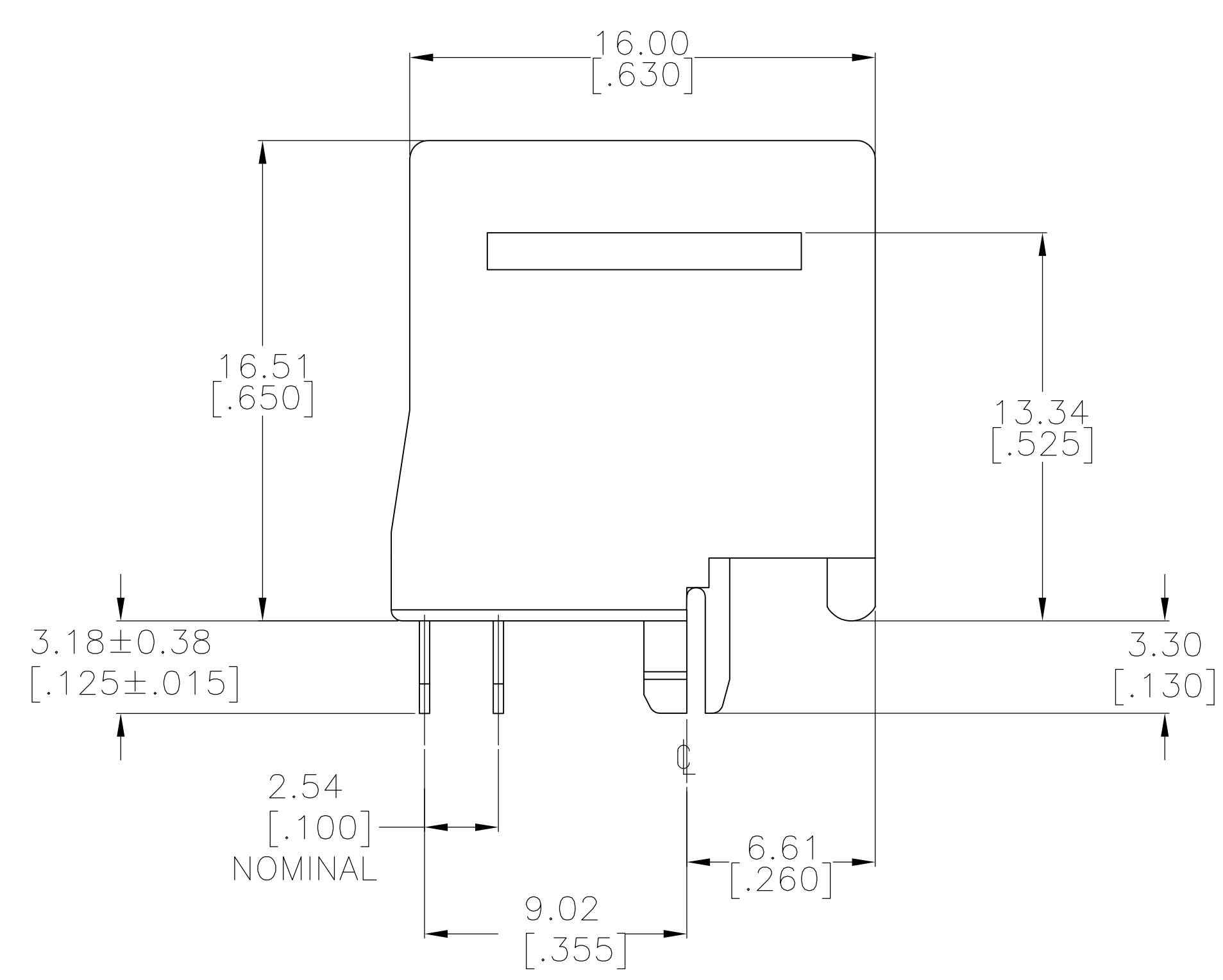
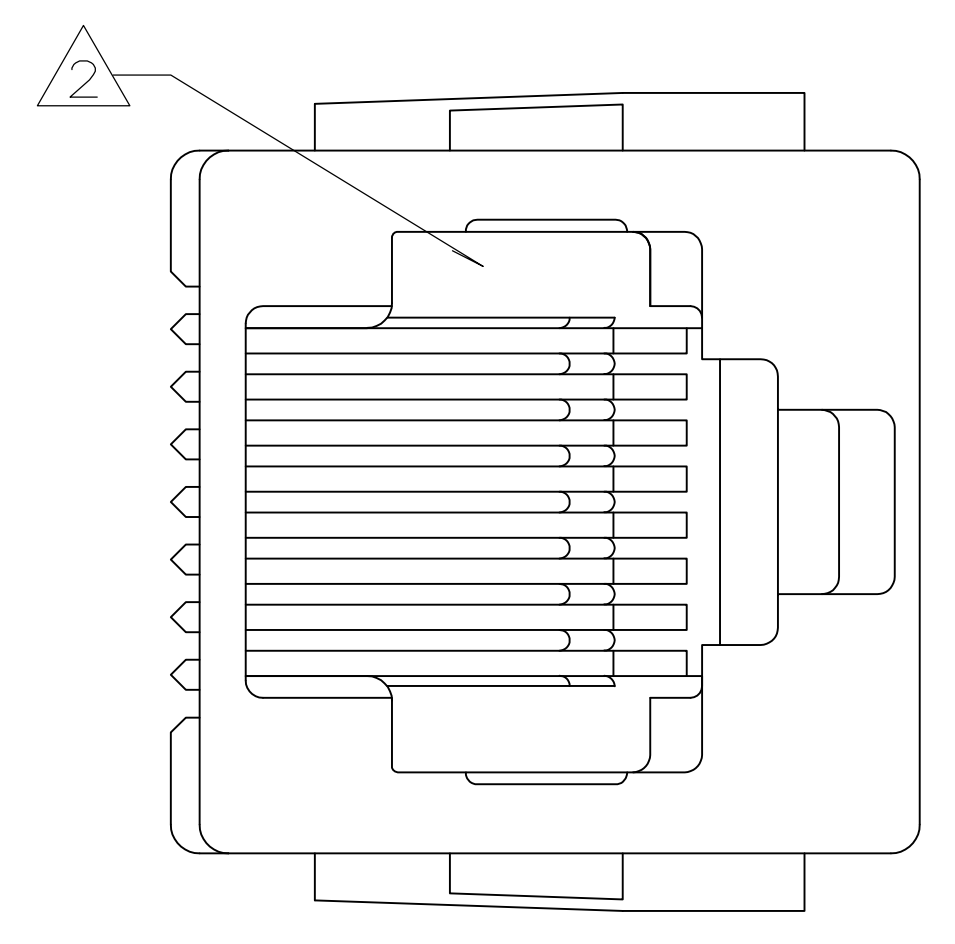
Email & Skype: info@chipsmall.com Web: www.chipsmall.com

Address: A1208, Overseas Decoration Building, #122 Zhenhua RD., Futian, Shenzhen, China

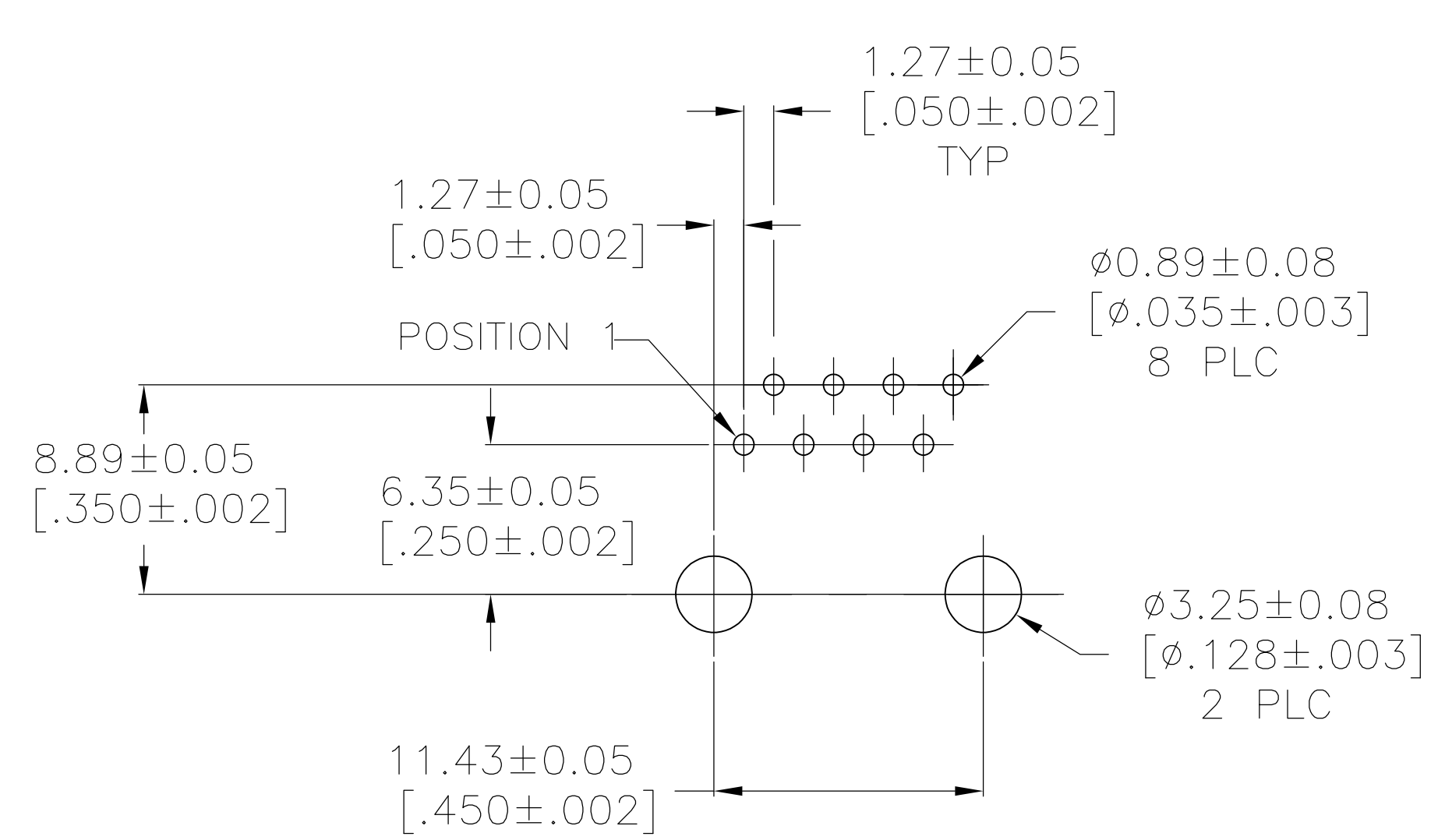


| LOC | | DIST | | REVISIONS | | | |
|-----|----|------|-----|---------------------------|-----------|-----|------|
| GP | 00 | P | LTR | DESCRIPTION | DATE | DMN | APVD |
| B2 | | | | REVISED PER ECO-12-014368 | 26SEP2012 | CJV | PAR |

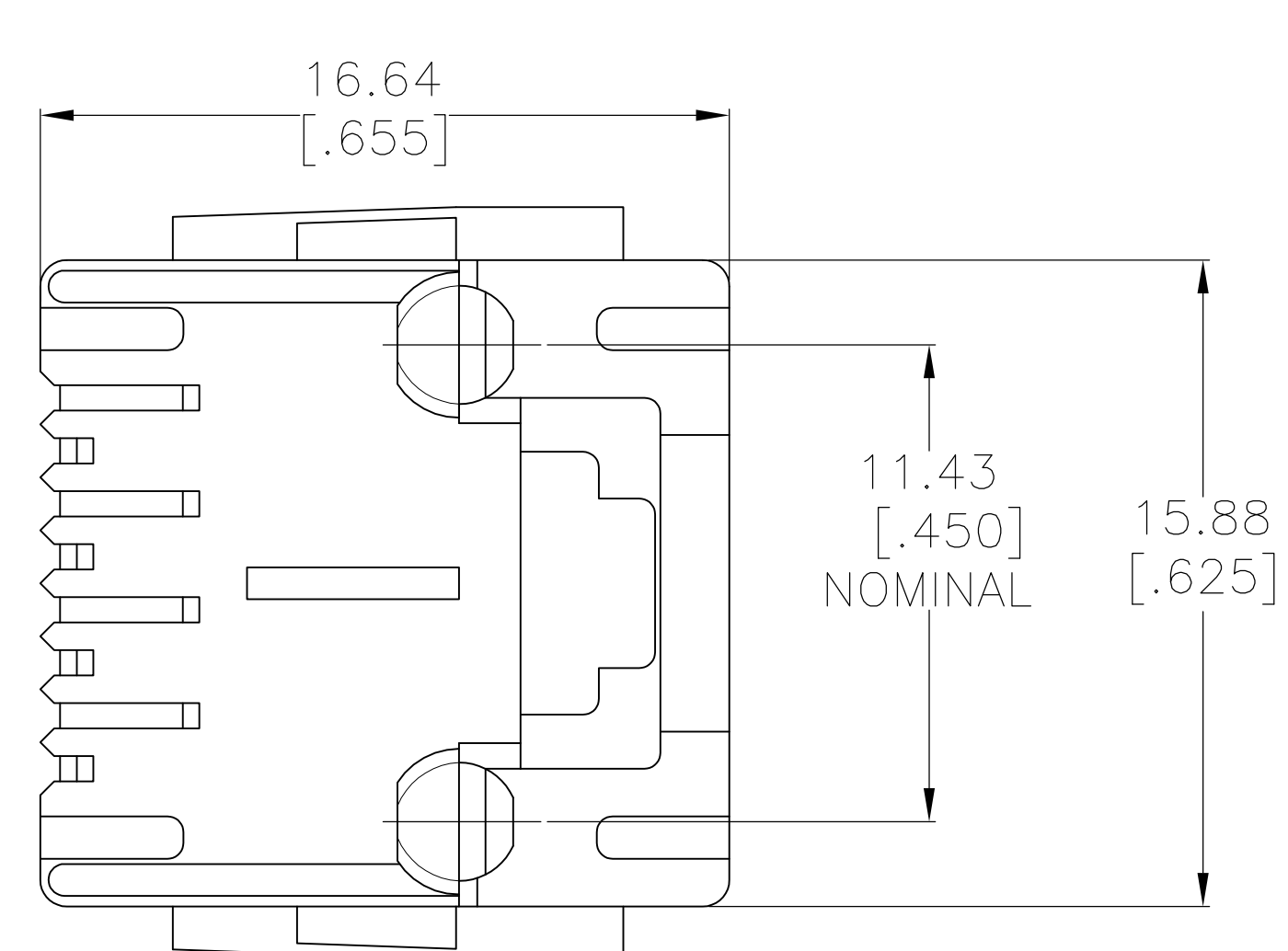
- MATERIAL: HOUSING- PBT POLYESTER, BLACK.
TERMINAL- 0.35 [.0138] THICK PHOS BRONZE PLATED WITH 1.27µm [.000050] THICK HARD GOLD IN LOCALIZED GOLD PLATE AREA AND 2.03µm [.000080] THICK MATTE TIN IN SOLDER AREA OVER 1.27µm [.000050] THICK NICKEL UNDERPLATE.
- CAVITY CONFORMS TO FCC RULES AND REGULATIONS PART 68 AND REA BULLETIN 345-81, PE-76 SPECIFICATION FOR MODULAR TELEPHONE HARDWARE.
- ALL DIMENSIONS SHOWN ARE MAXIMUM UNLESS OTHERWISE SPECIFIED.



RECOMMENDED PANEL CUTOUT SCALE 4:1



RECOMMENDED PRINTED CIRCUIT BOARD LAYOUT COMPONENT SIDE SCALE 4:1



5520259-4
PART NO

| | | | | |
|--|--|--|-----------------|--|
| THIS DRAWING IS A CONTROLLED DOCUMENT. DIMENSIONING AND TOLERANCING PER ASME Y14.5M-2009 | | DWG: R.GRZYBOWSKI 05MAY05 CHK: P.RECCE 10SEP2007 APPVD: S.FLICKINGER 10SEP2007 | TE Connectivity | |
| DIMENSIONS: mm [INCHES] | | NAME: MODULAR JACK ASSEMBLY, TOP ENTRY, 8 POSITION, FLANGELESS, WITH PANEL STOPS | | |
| TOLERANCES UNLESS OTHERWISE SPECIFIED: | | PRODUCT SPEC: 108-1163 | | |
| 0 PLC ± - | | APPLICATION SPEC: 114-2048 | | |
| 1 PLC ± - | | SIZE: A1 | | |
| 2 PLC ± - | | CAGE CODE: 00779 | | |
| 3 PLC ± - | | DRAWING NO: 5520259 | | |
| 4 PLC ± - | | RESTRICTED TO: - | | |
| ANGLES ± - | | WEIGHT: - | | |
| MATERIAL: SEE NOTE 1 | | CUSTOMER DRAWING | | |
| FINISH: SEE NOTE 1 | | SCALE: 6:1 | | |
| | | SHEET: 1 OF 1 | | |
| | | REV: B2 | | |