



Chipsmall Limited consists of a professional team with an average of over 10 year of expertise in the distribution of electronic components. Based in Hongkong, we have already established firm and mutual-benefit business relationships with customers from,Europe,America and south Asia,supplying obsolete and hard-to-find components to meet their specific needs.

With the principle of “Quality Parts,Customers Priority,Honest Operation,and Considerate Service”,our business mainly focus on the distribution of electronic components. Line cards we deal with include Microchip,ALPS,ROHM,Xilinx,Pulse,ON,Everlight and Freescale. Main products comprise IC,Modules,Potentiometer,IC Socket,Relay,Connector.Our parts cover such applications as commercial,industrial, and automotives areas.

We are looking forward to setting up business relationship with you and hope to provide you with the best service and solution. Let us make a better world for our industry!



Contact us

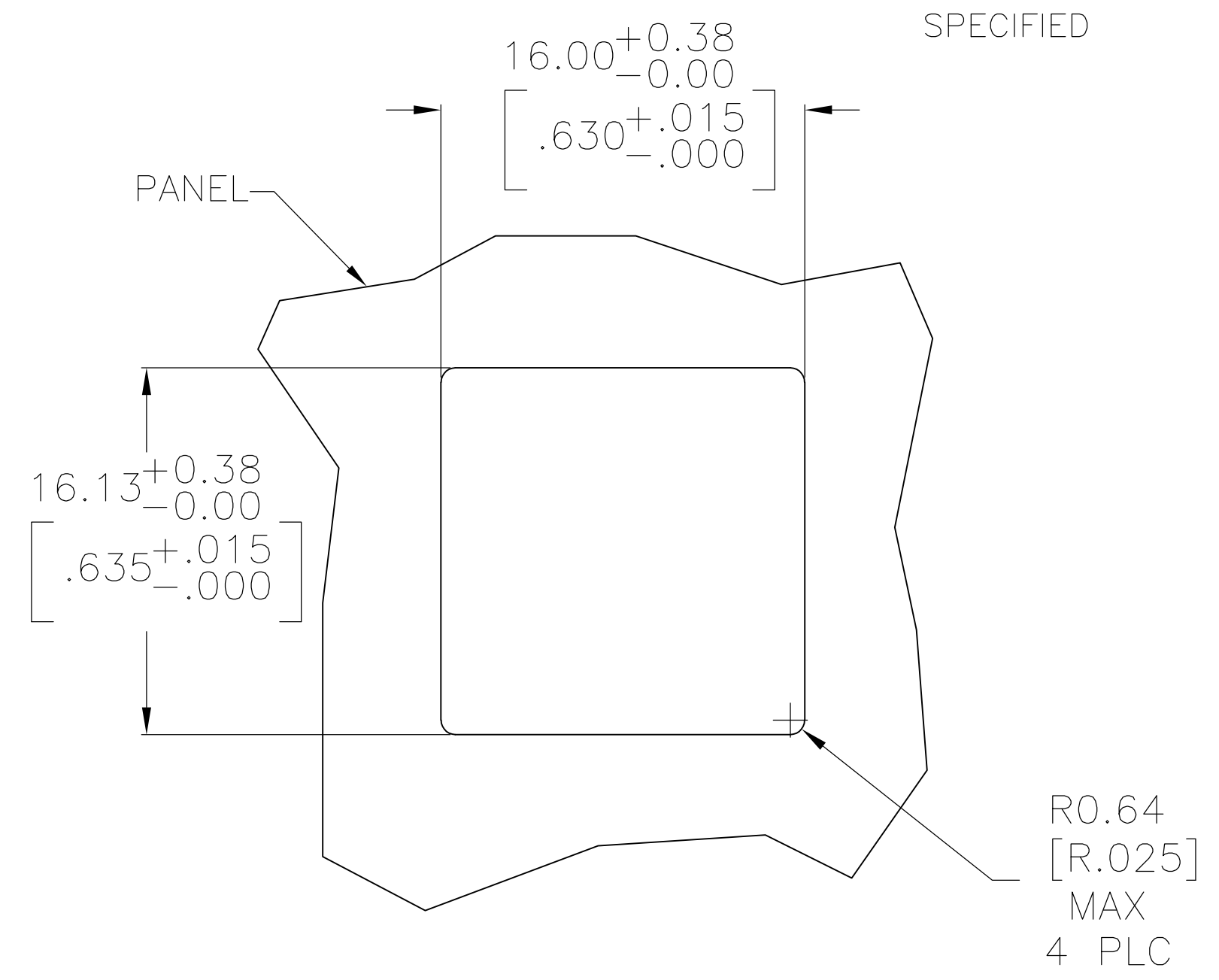
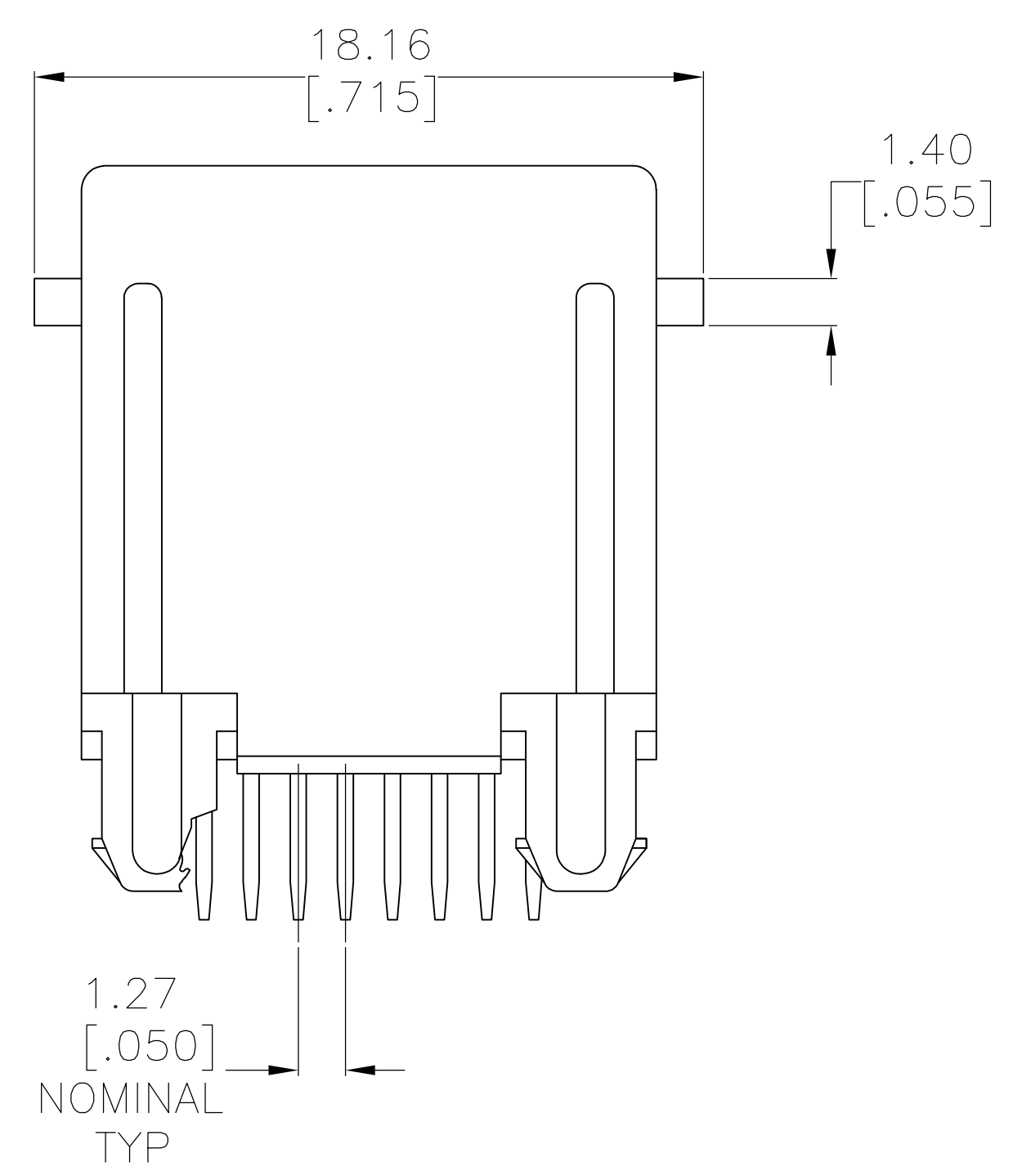
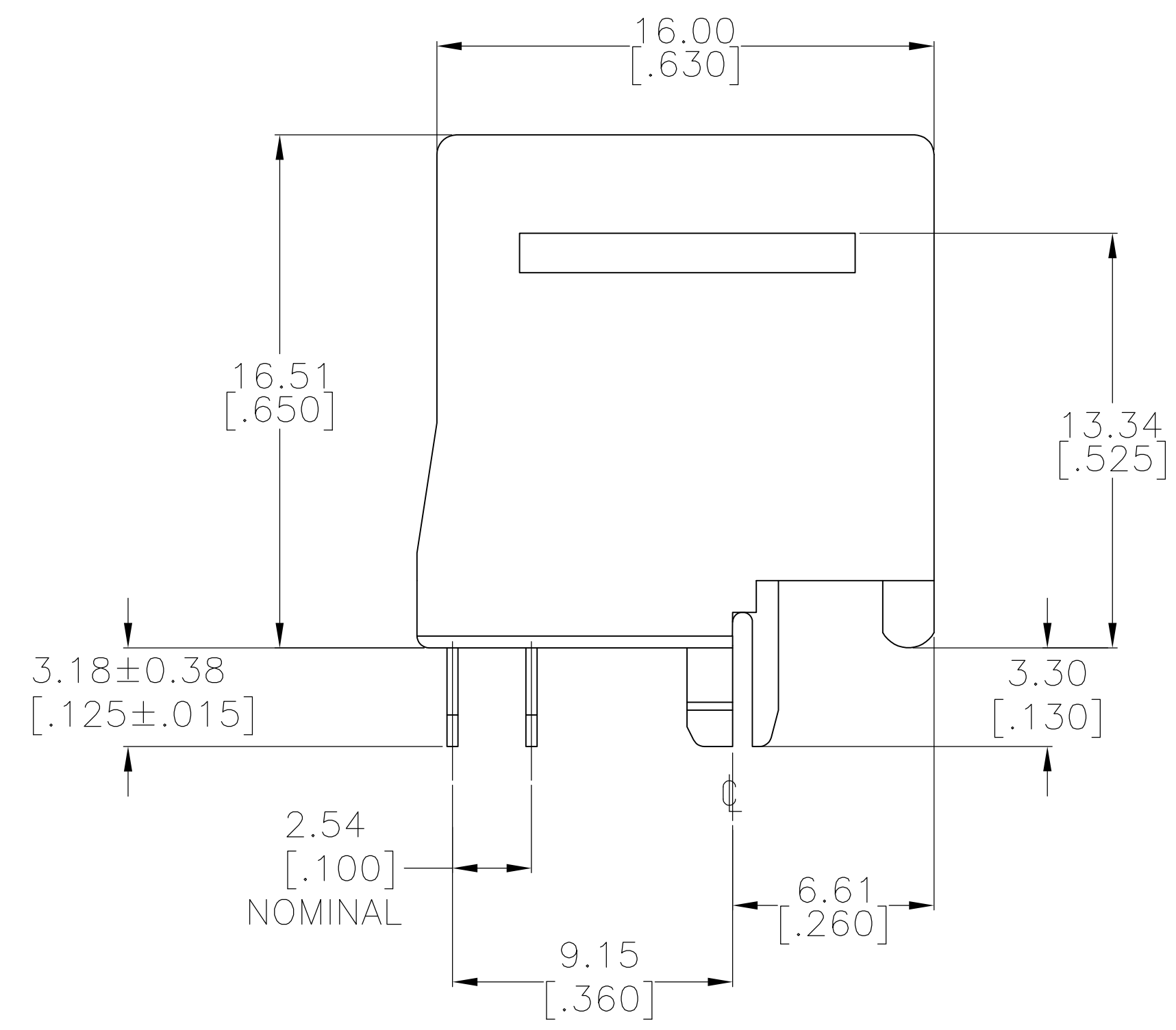
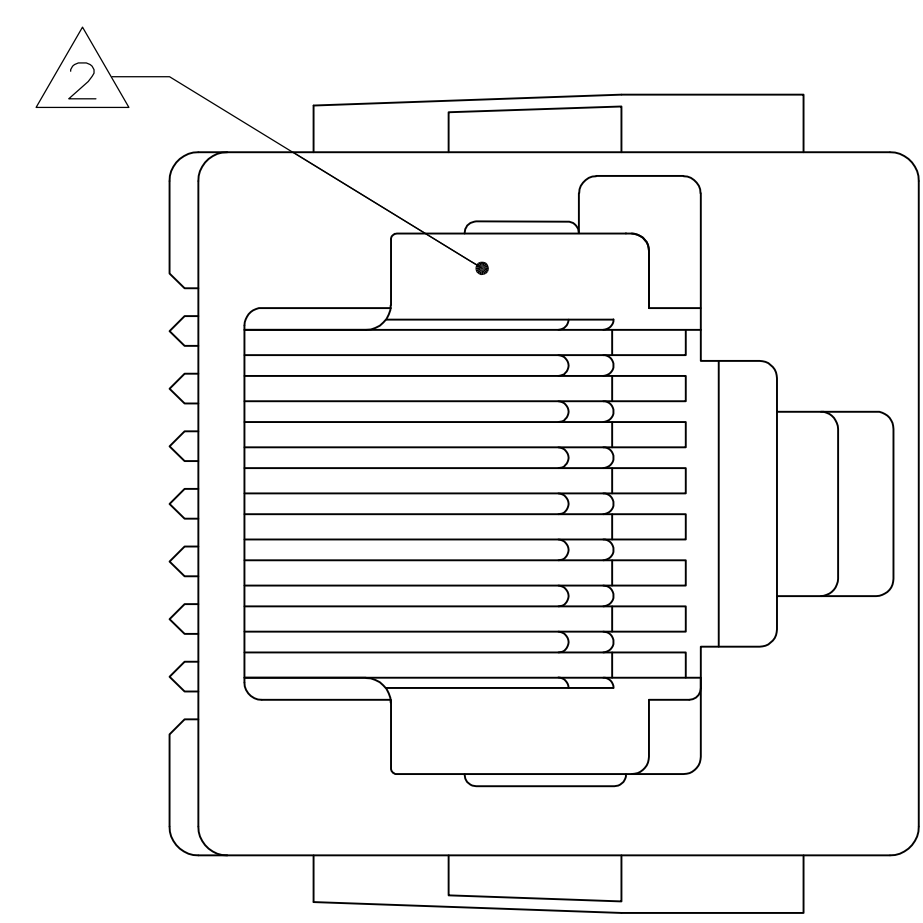
Tel: +86-755-8981 8866 Fax: +86-755-8427 6832

Email & Skype: info@chipsmall.com Web: www.chipsmall.com

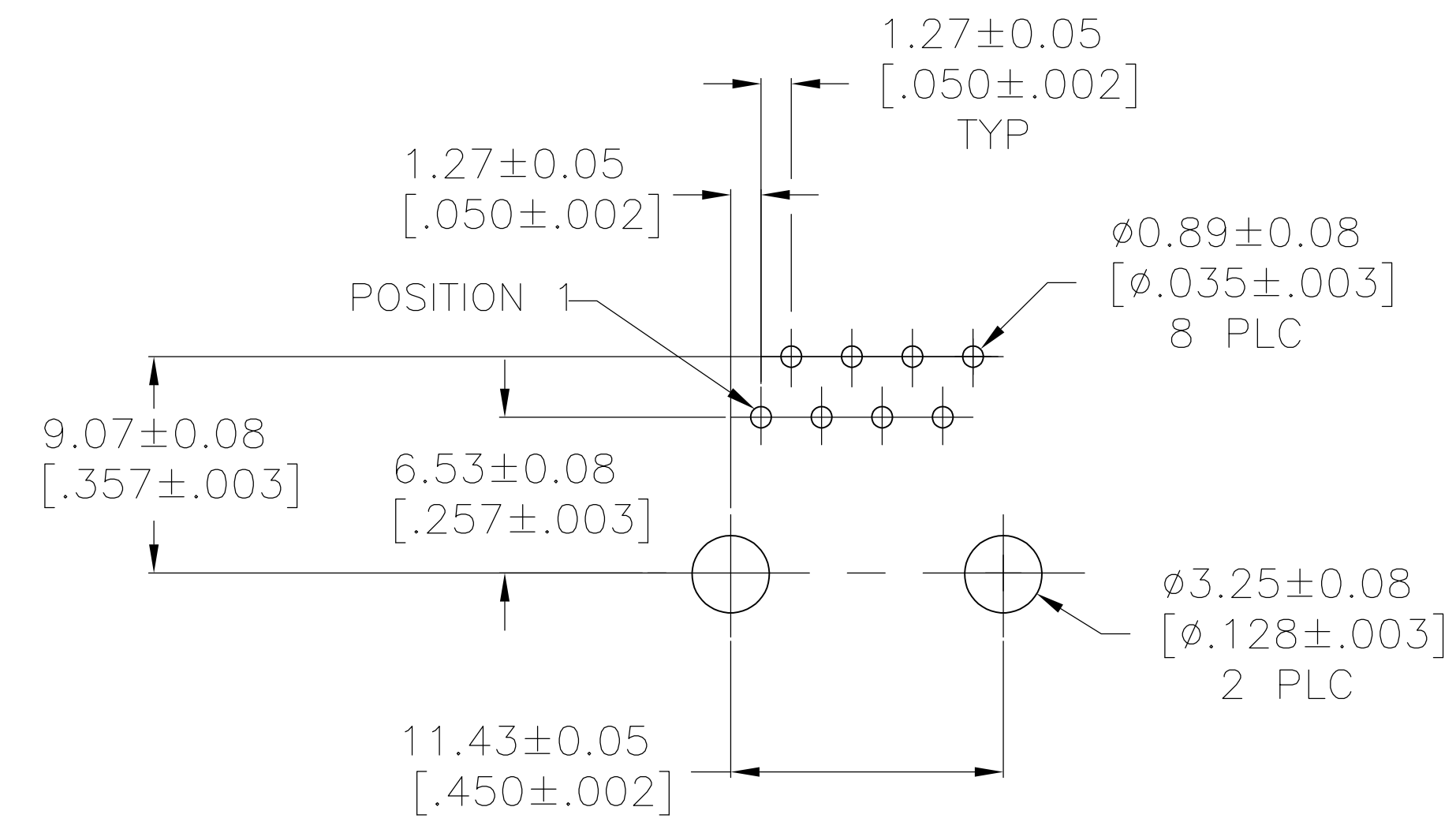
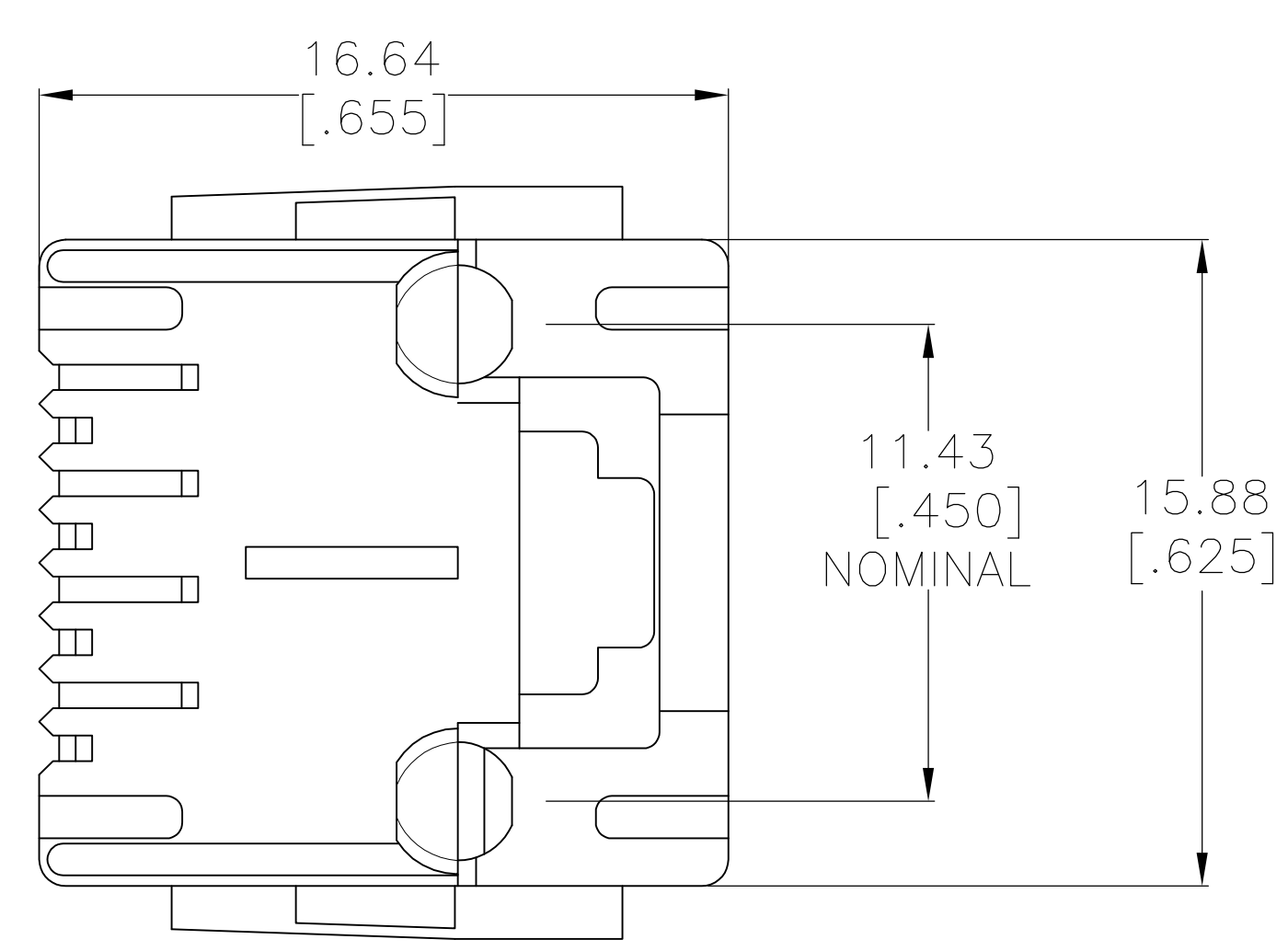
Address: A1208, Overseas Decoration Building, #122 Zhenhua RD., Futian, Shenzhen, China



LOC		DIST		REVISIONS			
AA	00	REV	DATE	BY	CHK	APPV	
C1	REVISED PER ECO-11-005033		23MAR11	RK	HMR		



RECOMMENDED PANEL CUTOUT
SCALE 4:1



RECOMMENDED PRINTED CIRCUIT BOARD LAYOUT
COMPONENT SIDE
SCALE 4:1

- MATERIAL: HOUSING: PBT POLYESTER, COLOR: BLACK
TERMINAL: 0.36[.014] THICK PHOS BRONZE PLATED WITH 1.27µm [.000050] MIN THICK HARD GOLD IN LOCALIZED GOLD PLATE AREA AND 3.81µm [.000150] MIN THICK MATTE TIN IN SOLDER AREA OVER 1.27µm [.000050] MIN THICK NICKEL UNDERPLATE
- CAVITY CONFORMS TO FCC RULES AND REGULATIONS PART 68 REA BULLETIN 345-81, PE-76 SPECIFICATION FOR MODULAR TELEPHONE HARDWARE
- ALL DIMENSIONS SHOWN ARE MAXIMUM UNLESS OTHERWISE SPECIFIED

5520260-4
PART NUMBER

THIS DRAWING IS A CONTROLLED DOCUMENT.		DIN G. ATTADIA - 06/JUN/2005		STE TE Connectivity																																	
DIMENSIONS: mm [INCHES]		TOLERANCES UNLESS OTHERWISE SPECIFIED:		APVD S. FLICKINGER 06/JUN/2005																																	
<table border="1"> <tr><td>0 PLC</td><td>±</td><td>-</td></tr> <tr><td>1 PLC</td><td>±</td><td>-</td></tr> <tr><td>2 PLC</td><td>±</td><td>-</td></tr> <tr><td>3 PLC</td><td>±</td><td>-</td></tr> <tr><td>4 PLC</td><td>±</td><td>-</td></tr> <tr><td>ANGLES</td><td>±</td><td>-</td></tr> </table>		0 PLC	±	-	1 PLC	±	-	2 PLC	±	-	3 PLC	±	-	4 PLC	±	-	ANGLES	±	-	<table border="1"> <tr><td>NAME</td><td>MODULAR JACK ASSEMBLY, TOP ENTRY, 8 POSITION, KEYED, FLANGELESS, WITH PANEL STOPS</td></tr> <tr><td>PRODUCT SPEC</td><td>108-1163</td></tr> <tr><td>APPLICATION SPEC</td><td>114-2048</td></tr> <tr><td>SIZE</td><td>A1</td></tr> <tr><td>CAGE CODE</td><td>00779</td></tr> <tr><td>DRAWING NO</td><td>5520260</td></tr> <tr><td>RESTRICTED TO</td><td>-</td></tr> </table>		NAME	MODULAR JACK ASSEMBLY, TOP ENTRY, 8 POSITION, KEYED, FLANGELESS, WITH PANEL STOPS	PRODUCT SPEC	108-1163	APPLICATION SPEC	114-2048	SIZE	A1	CAGE CODE	00779	DRAWING NO	5520260	RESTRICTED TO	-	CUSTOMER DRAWING	
0 PLC	±	-																																			
1 PLC	±	-																																			
2 PLC	±	-																																			
3 PLC	±	-																																			
4 PLC	±	-																																			
ANGLES	±	-																																			
NAME	MODULAR JACK ASSEMBLY, TOP ENTRY, 8 POSITION, KEYED, FLANGELESS, WITH PANEL STOPS																																				
PRODUCT SPEC	108-1163																																				
APPLICATION SPEC	114-2048																																				
SIZE	A1																																				
CAGE CODE	00779																																				
DRAWING NO	5520260																																				
RESTRICTED TO	-																																				
MATERIAL SEE NOTE 1		FINISH SEE NOTE 1		SCALE 6:1 SHEET 1 OF 1 REV C1																																	