



Chipsmall Limited consists of a professional team with an average of over 10 year of expertise in the distribution of electronic components. Based in Hongkong, we have already established firm and mutual-benefit business relationships with customers from,Europe,America and south Asia,supplying obsolete and hard-to-find components to meet their specific needs.

With the principle of “Quality Parts,Customers Priority,Honest Operation,and Considerate Service”,our business mainly focus on the distribution of electronic components. Line cards we deal with include Microchip,ALPS,ROHM,Xilinx,Pulse,ON,Everlight and Freescale. Main products comprise IC,Modules,Potentiometer,IC Socket,Relay,Connector.Our parts cover such applications as commercial,industrial, and automotives areas.

We are looking forward to setting up business relationship with you and hope to provide you with the best service and solution. Let us make a better world for our industry!



Contact us

Tel: +86-755-8981 8866 Fax: +86-755-8427 6832

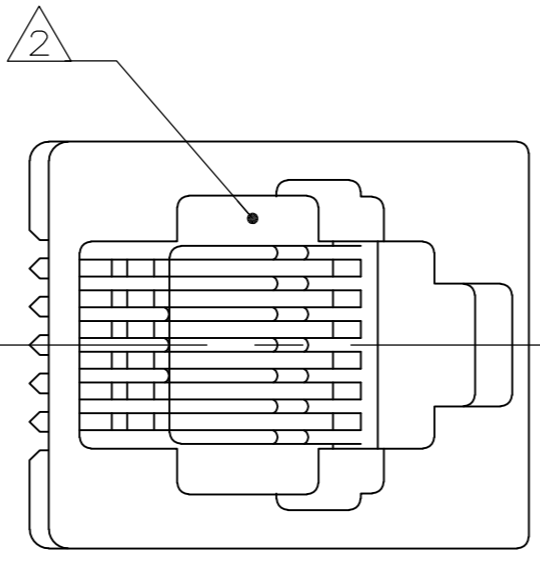
Email & Skype: info@chipsmall.com Web: www.chipsmall.com

Address: A1208, Overseas Decoration Building, #122 Zhenhua RD., Futian, Shenzhen, China



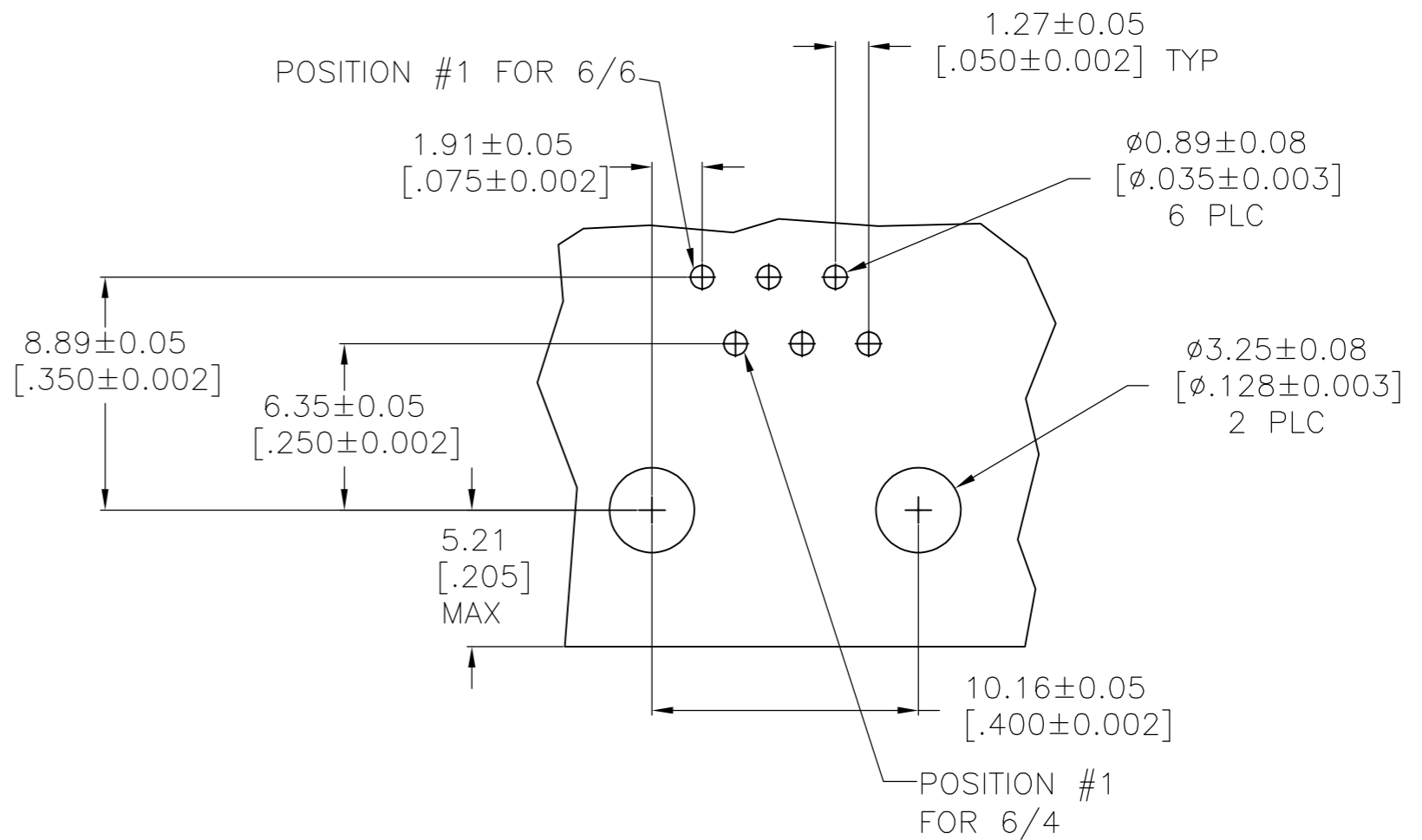
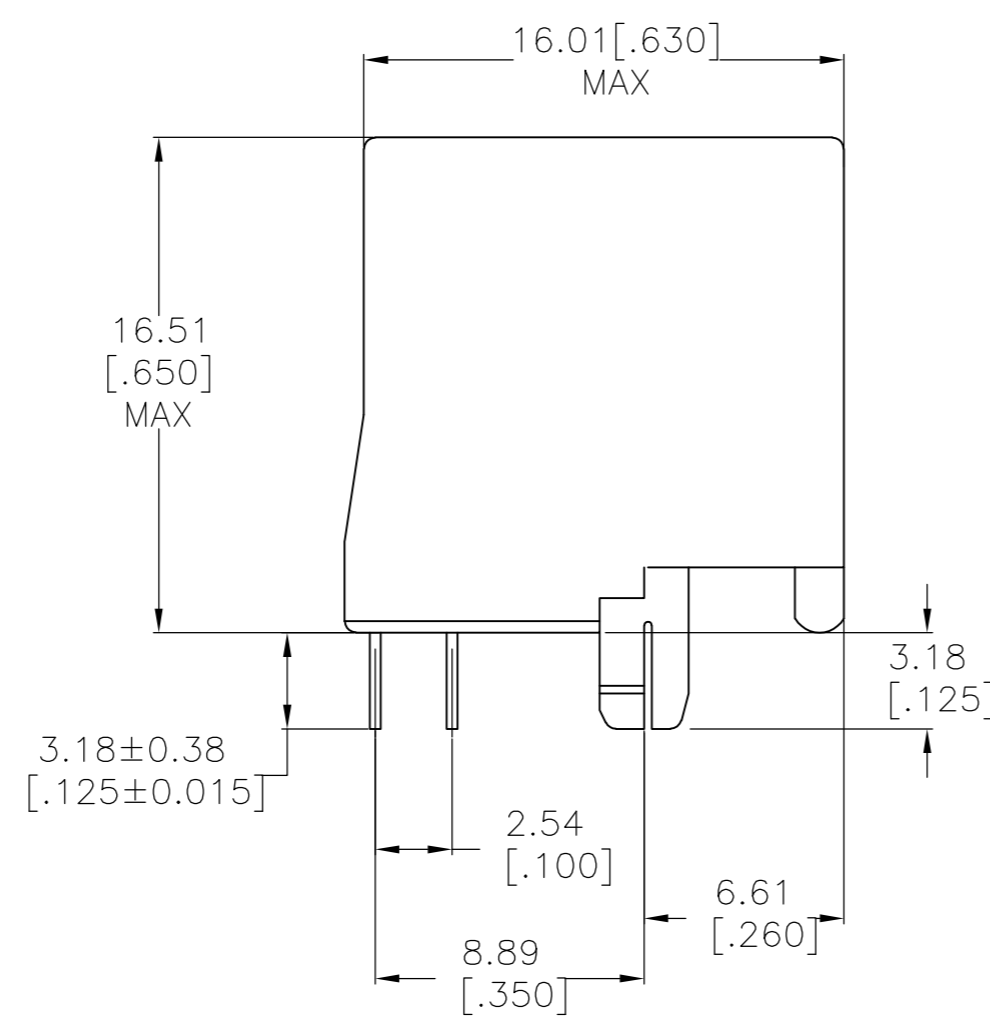
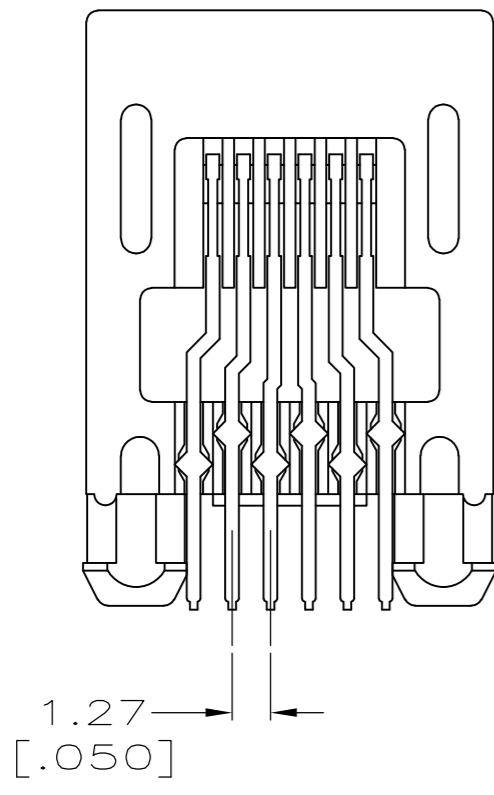
THIS DRAWING IS UNPUBLISHED. RELEASED FOR PUBLICATION
 © COPYRIGHT - By - ALL RIGHTS RESERVED.

LOC		DIST		REVISIONS			
P	LTR	DESCRIPTION		DATE	DWN	APVD	
AA	00	D1	REVISED PER ECO-11-005140		28MAR11	RK	HMR

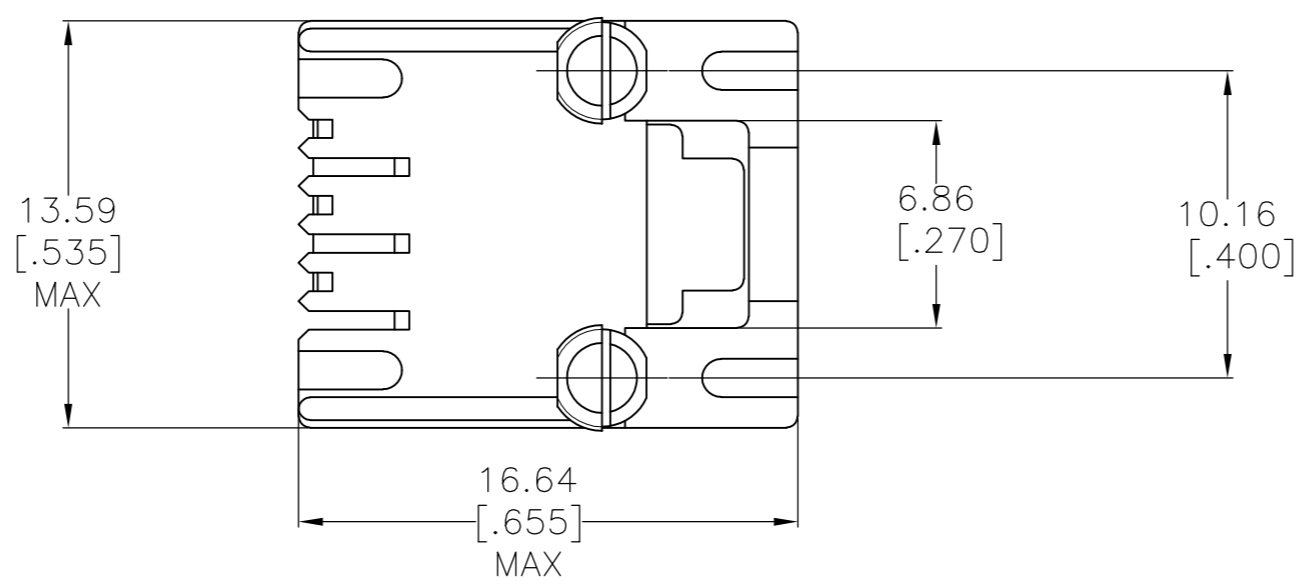


1. MATERIAL:
 HOUSING - PBT POLYESTER, COLOR: BLACK.
 TERMINAL - PHOS BRONZE PLATED WITH 1.27μm [.000050] THICK HARD GOLD IN LOCALIZED GOLD PLATE AREA AND 2.03μm [.000080] THICK MATTE TIN IN SOLDER AREA OVER 1.27μm [.000050] THICK NICKEL UNDERPLATE.

- ⚠ CAVITY CONFORMS TO FCC RULES AND REGULATIONS PART 68 AND REA BULLETIN 345-.81 PE-76 SPECIFICATION FOR MODULAR TELEPHONE HARDWARE.
- ⚠ BULK PACKAGED IN A TRAY
- ⚠ 34 ASSEMBLIES PACKAGED IN A TUBE.



PRINTED CIRCUIT BOARD LAYOUT COMPONENT SIDE



SUPERSEDED BY	REVISION	TERMINALS	PART NUMBER
-3	4	6	5520425-4
	3	6	5520425-3
	3	4	5520425-2

THIS DRAWING IS A CONTROLLED DOCUMENT.		DWN	L.A.MAYER	16AUG2007	 TE Connectivity	NAME		MODULAR JACK ASSEMBLY, TOP ENTRY, 6 POSITION, WITHOUT PANEL STOPS		
DIMENSIONS: mm [INCHES]		CHK	P.RECCE	16AUG2007		PRODUCT SPEC		108-1163	SIZE	A2
TOLERANCES UNLESS OTHERWISE SPECIFIED:		APVD	S.FLICKINGER	16AUG2007		APPLICATION SPEC		114-2048	CAGE CODE	00779
0 PLC ± - 1 PLC ± - 2 PLC ± 0.13 [.005] 3 PLC ± - 4 PLC ± - ANGLES ± -		MATERIAL		SEE NOTE 1		FINISH		SEE NOTE 1	SCALE	4:1
MATERIAL		FINISH		SEE NOTE 1	WEIGHT		-	DRAWING NO	C=5520425	
SEE NOTE 1		SEE NOTE 1		WEIGHT		-	CUSTOMER DRAWING		RESTRICTED TO	
								SHEET	1 OF 1	
								REV	D1	