



Chipsmall Limited consists of a professional team with an average of over 10 year of expertise in the distribution of electronic components. Based in Hongkong, we have already established firm and mutual-benefit business relationships with customers from,Europe,America and south Asia,supplying obsolete and hard-to-find components to meet their specific needs.

With the principle of “Quality Parts,Customers Priority,Honest Operation,and Considerate Service”,our business mainly focus on the distribution of electronic components. Line cards we deal with include Microchip,ALPS,ROHM,Xilinx,Pulse,ON,Everlight and Freescale. Main products comprise IC,Modules,Potentiometer,IC Socket,Relay,Connector.Our parts cover such applications as commercial,industrial, and automotives areas.

We are looking forward to setting up business relationship with you and hope to provide you with the best service and solution. Let us make a better world for our industry!



## Contact us

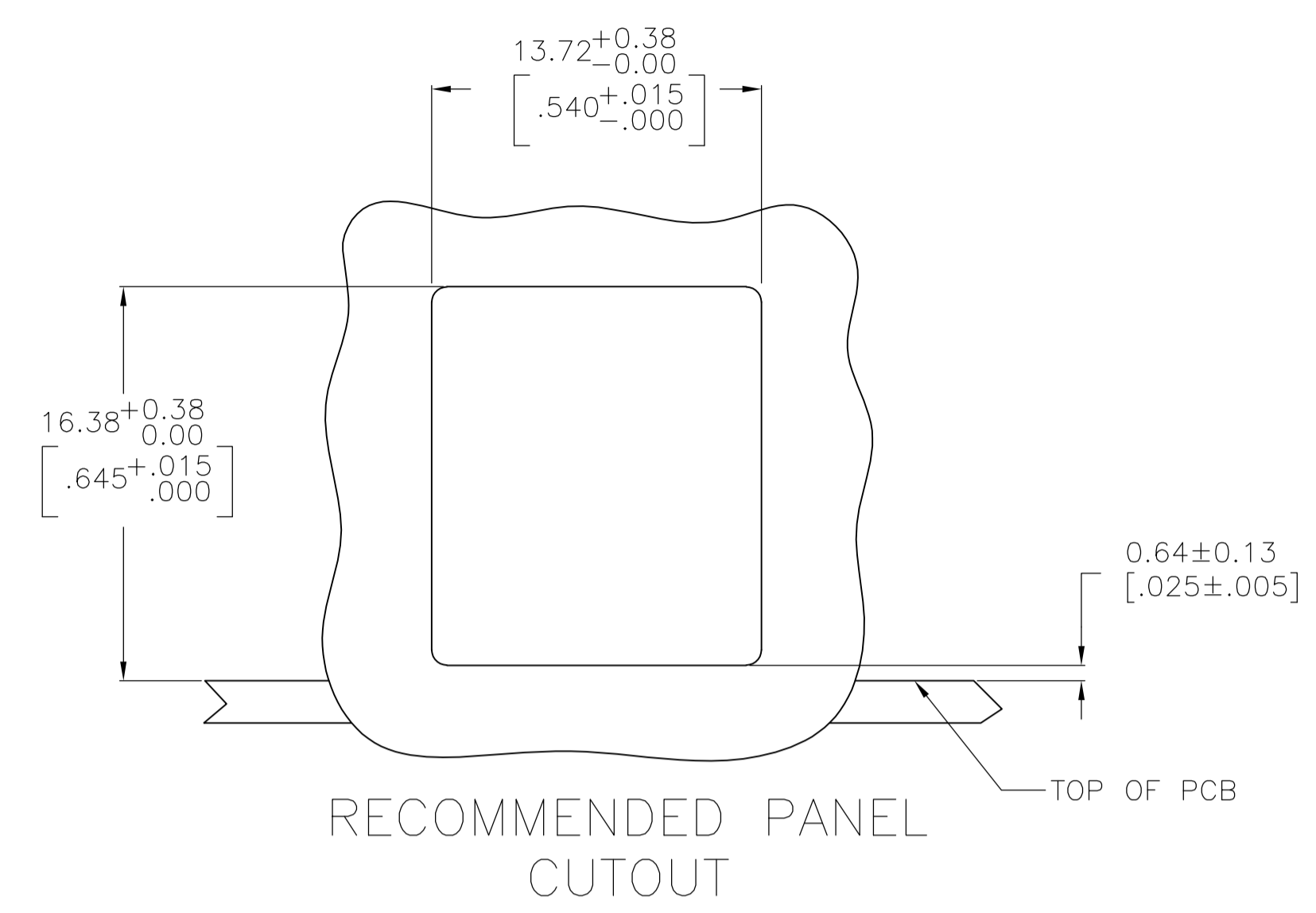
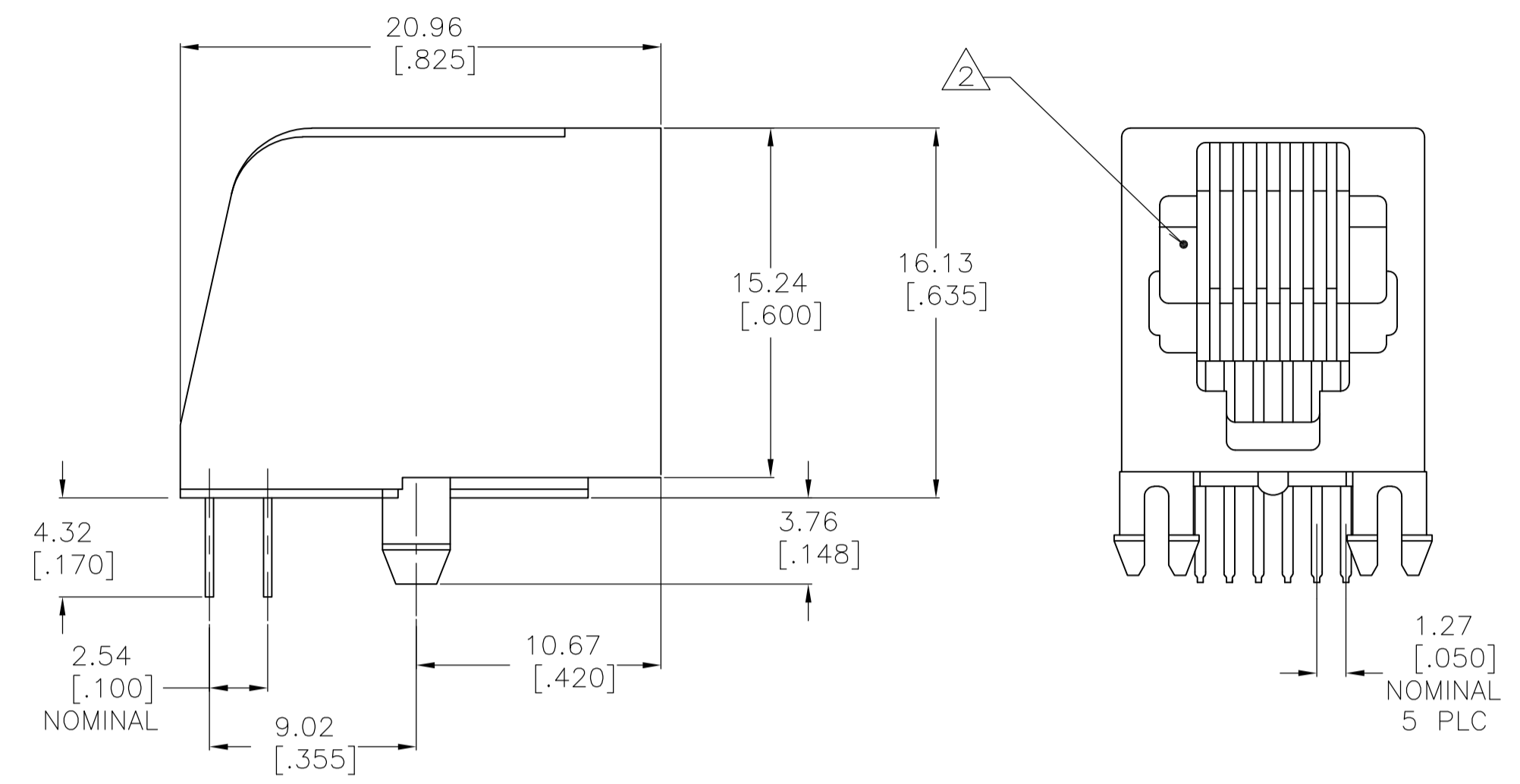
Tel: +86-755-8981 8866 Fax: +86-755-8427 6832

Email & Skype: info@chipsmall.com Web: www.chipsmall.com

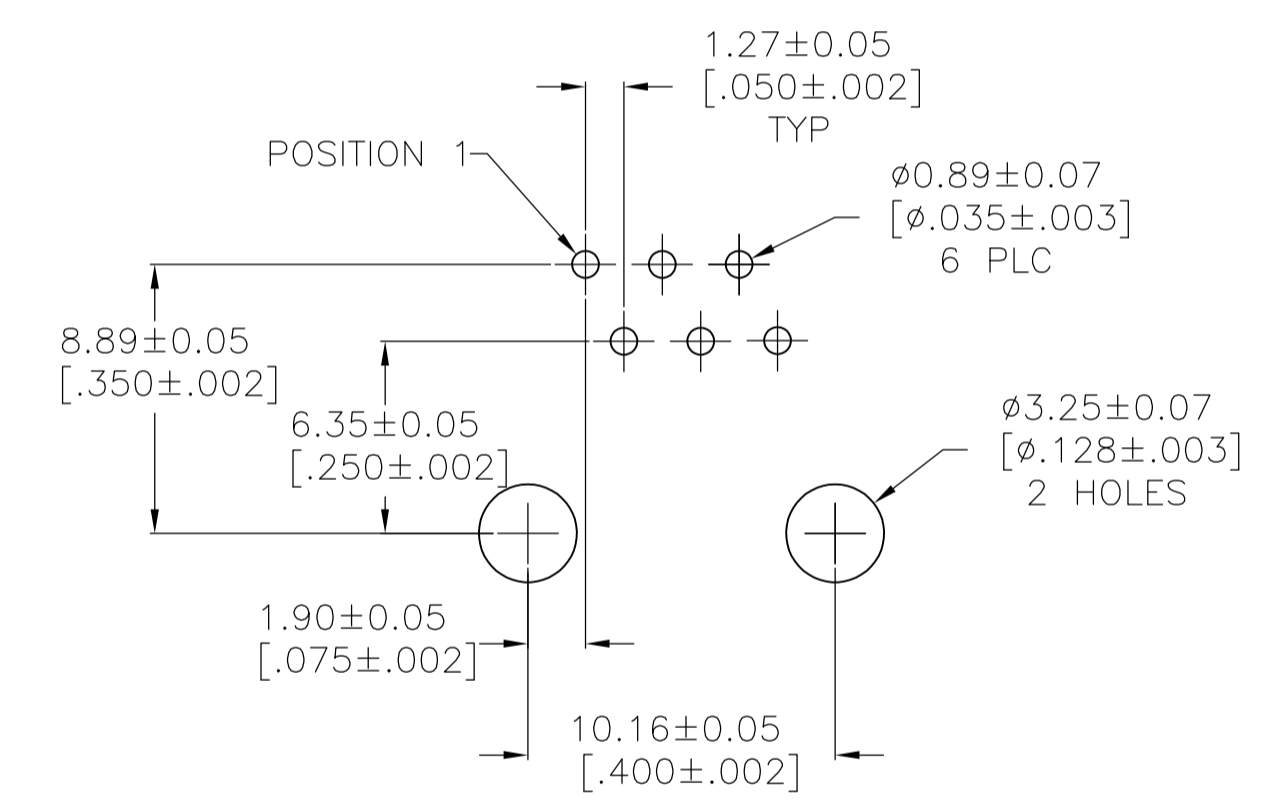
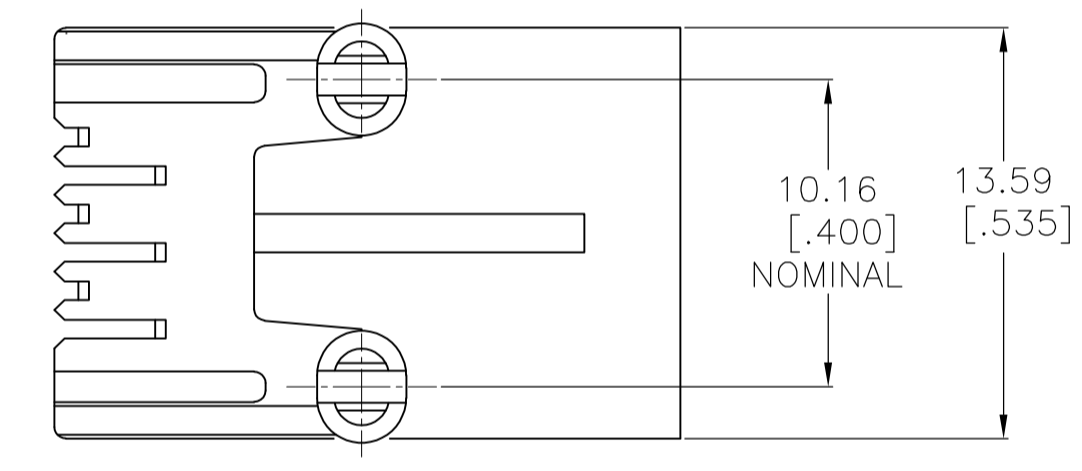
Address: A1208, Overseas Decoration Building, #122 Zhenhua RD., Futian, Shenzhen, China



LOC		DIST		REVISIONS			
AA	00	REV	DATE	BY	CHK	APPV	
B1		REVISED PER ECO-11-005033	23MAR11	RK	HMR		



- MATERIAL: HOUSING - PBT POLYESTER, COLOR: GRAY  
TERMINAL -- 0.35 [.0138] THICK PHOS BRONZE  
PLATED WITH 1.27 μm [.000050] THICK HARD GOLD  
IN LOCALIZED GOLD PLATE AREA AND 3.81 μm [.000150]  
THICK MATTE TIN IN SOLDER AREA OVER 1.27 μm  
[.000050] THICK NICKEL UNDERPLATE
- CAVITY CONFORMS TO FCC RULES AND  
REGULATIONS PART 68 AND REA BULLETIN  
345-81, PE-76 SPECIFICATION FOR MODULAR  
TELEPHONE HARDWARE.
- DIMENSIONS ARE MAXIMUM UNLESS OTHERWISE SHOWN



RECOMMENDED PRINTED CIRCUIT BOARD  
LAYOUT  
COMPONENT SIDE SHOWN

6	5520470-3
TERMINALS	PART NUMBER

THIS DRAWING IS A CONTROLLED DOCUMENT.		DIN	30AUG2007	L.A.MAYER	
DIMENSIONS: mm [INCHES]		CHK	30AUG2007	P.RECCE	
TOLERANCES UNLESS OTHERWISE SPECIFIED:		APPV	30AUG2007	S.FLICKINGER	
0 PLC	± -	NAME			
1 PLC	± -	MODULAR JACK ASSEMBLY, SIDE ENTRY, 6 POSITION, FLANGELESS			
2 PLC	± 0.13[.005]	PRODUCT SPEC			
3 PLC	± -	108-1163			
4 PLC	± -	APPLICATION SPEC			
ANGLES	± -	114-2048			
MATERIAL	SEE NOTE 1	FINISH	SEE NOTE 1	WEIGHT	—
CUSTOMER DRAWING		SCALE	4:1	SHEET	1 OF 1
		DRAWING NO.	A1 00779	C=	5520470
		RESTRICTED TO	—		