



Chipsmall Limited consists of a professional team with an average of over 10 year of expertise in the distribution of electronic components. Based in Hongkong, we have already established firm and mutual-benefit business relationships with customers from,Europe,America and south Asia,supplying obsolete and hard-to-find components to meet their specific needs.

With the principle of “Quality Parts,Customers Priority,Honest Operation,and Considerate Service”,our business mainly focus on the distribution of electronic components. Line cards we deal with include Microchip,ALPS,ROHM,Xilinx,Pulse,ON,Everlight and Freescale. Main products comprise IC,Modules,Potentiometer,IC Socket,Relay,Connector.Our parts cover such applications as commercial,industrial, and automotives areas.

We are looking forward to setting up business relationship with you and hope to provide you with the best service and solution. Let us make a better world for our industry!



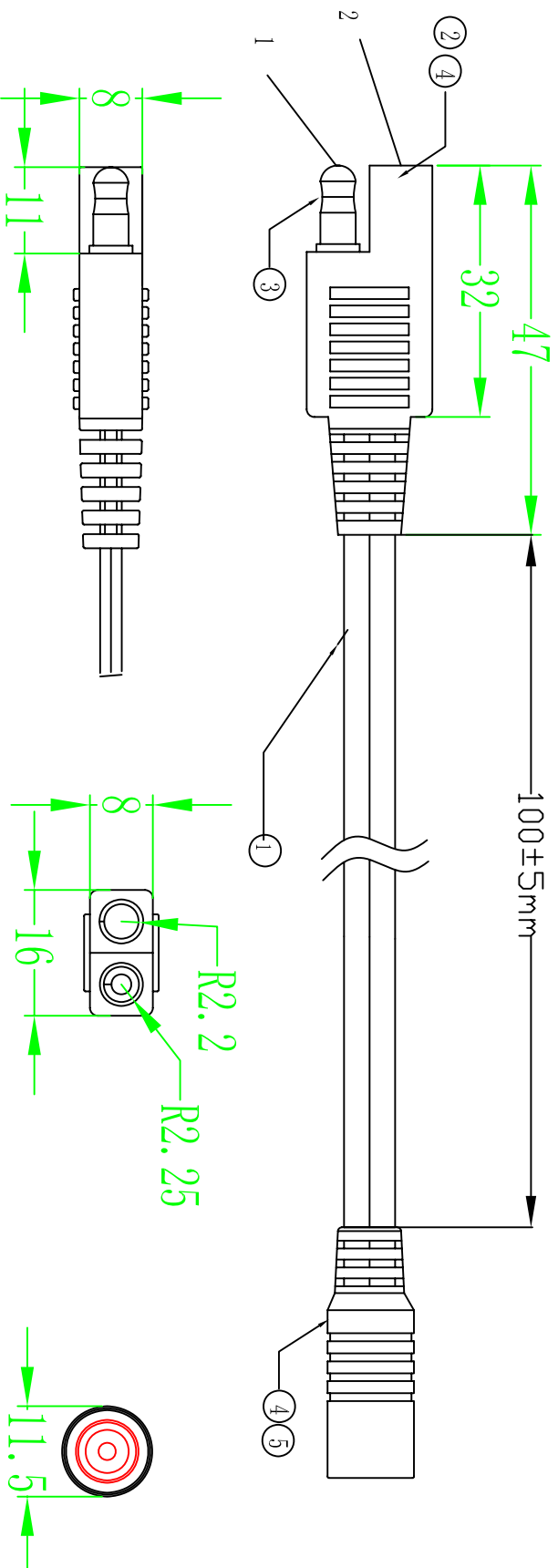
Contact us

Tel: +86-755-8981 8866 Fax: +86-755-8427 6832

Email & Skype: info@chipsmall.com Web: www.chipsmall.com

Address: A1208, Overseas Decoration Building, #122 Zhenhua RD., Futian, Shenzhen, China





PINOUT:
 1-----1 RED
 2-----2 BLACK



NO.	NAME	COLOR	DESCRIPTION	QTY	UNIT
1	CABLE	BLACK	SPT-1 18AWG OD2.7*5.4MM Rating DC15V 5A RoHS	150	MM
2	TER	NICKEL	4.5 FEMALE TER Rating DC15V 5A RoHS	1	PCS
3	TER	NICKEL	4.5 MALE TER Rating DC15V 5A RoHS	1	PCS
4	PVC	BLACK	45P PVC RoHS	5.5	g
5	CONN	NICKEL	5.5*2.1 FEMALE Rating DC15V 5A RoHS	1	PCS

A		INITIAL RELEASE		2014/06/18	
REV	ECN#	DESCRIPTION		DATE	
A	20140618	Cnc Tech, LLC		2014/06/18	
DRAWN		DATE	P/N:		REV
WENC		06/18/14	CNC-5521-00010		A
CHECKED		DATE	TITLE		
EDWIN		06/18/14	Adapter cable, 18AWG, 2.1x5.5 Female barrel to SAE M/F, Black, length 10cm, RoHS		
APPROVAL		CUSTOMER P/N:	CUSTOMER:		REV
					A
		SHEET 1 OF 1			