



Chipsmall Limited consists of a professional team with an average of over 10 year of expertise in the distribution of electronic components. Based in Hongkong, we have already established firm and mutual-benefit business relationships with customers from,Europe,America and south Asia,supplying obsolete and hard-to-find components to meet their specific needs.

With the principle of “Quality Parts,Customers Priority,Honest Operation,and Considerate Service”,our business mainly focus on the distribution of electronic components. Line cards we deal with include Microchip,ALPS,ROHM,Xilinx,Pulse,ON,Everlight and Freescale. Main products comprise IC,Modules,Potentiometer,IC Socket,Relay,Connector.Our parts cover such applications as commercial,industrial, and automotives areas.

We are looking forward to setting up business relationship with you and hope to provide you with the best service and solution. Let us make a better world for our industry!



## Contact us

Tel: +86-755-8981 8866 Fax: +86-755-8427 6832

Email & Skype: info@chipsmall.com Web: www.chipsmall.com

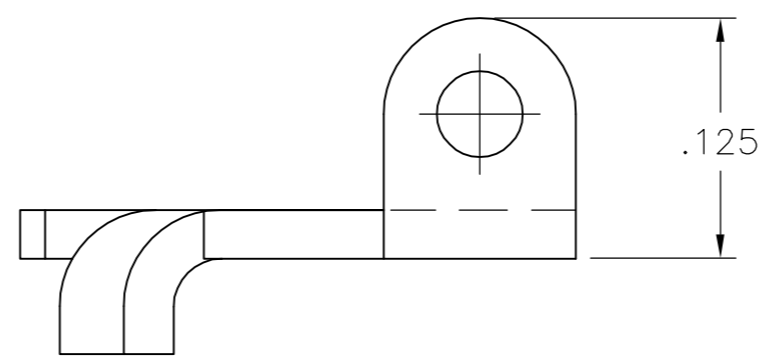
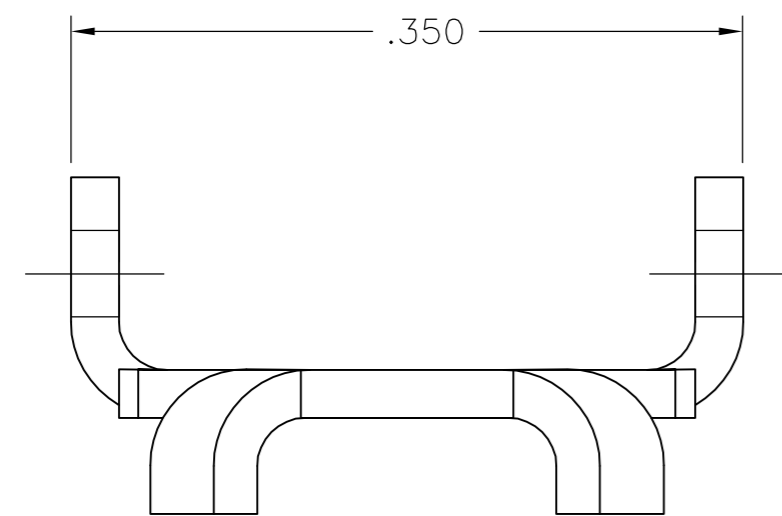
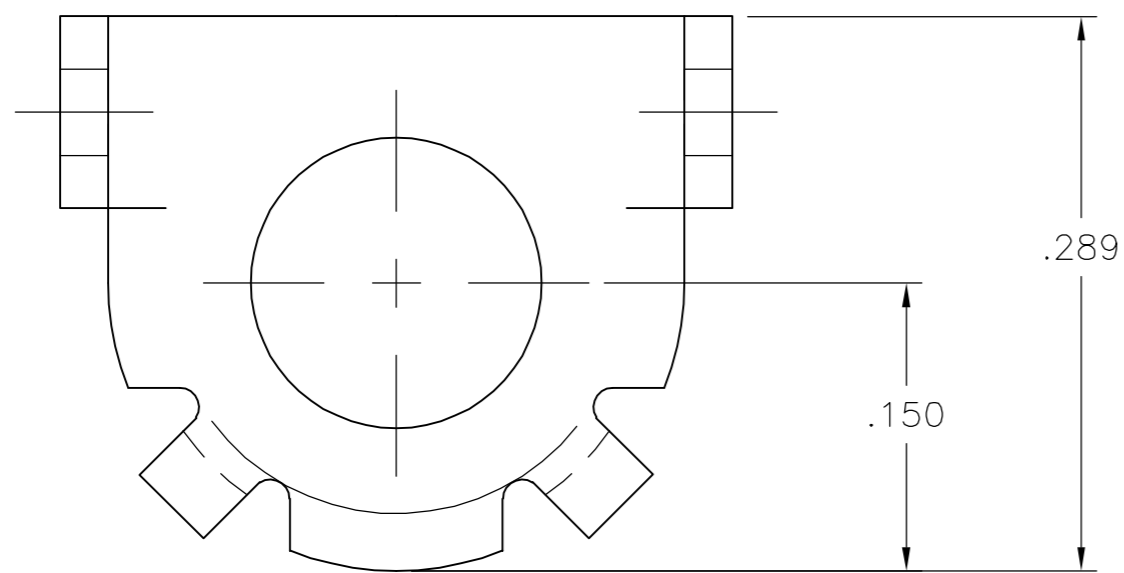
Address: A1208, Overseas Decoration Building, #122 Zhenhua RD., Futian, Shenzhen, China



THIS DRAWING IS UNPUBLISHED. RELEASED FOR PUBLICATION  
 © COPYRIGHT BY TYCO ELECTRONICS CORPORATION. ALL RIGHTS RESERVED.

LOC	DIST	REVISIONS			
P	LTR	DESCRIPTION	DATE	DWN	APVD
GP	00	A	REVISED PER ECO-06-025935	12/FEB/07	ZMR WLM

1. ALL DIMENSIONS SHOWN ARE FOR REFERENCE ONLY UNLESS OTHERWISE SPECIFIED.
2. BRIGHT ZINC PLATE WITH CLEAR HEXAVALENT CHROMATE COATING.
3. BRIGHT ZINC PLATE WITH CLEAR TRIVALENT CHROMATE COATING.



	3	552101-3
OBSOLETE	2	552101-1
	FINISH	PART NUMBER

THIS DRAWING IS A CONTROLLED DOCUMENT.		DWN	B. MCMASTER	16JAN06	 Tyco Electronics Corporation Harrisburg, PA 17105-3608		
DIMENSIONS: INCHES		CHK	W. MILLHIMES	16JAN06			
TOLERANCES UNLESS OTHERWISE SPECIFIED:		APVD	W. MILLHIMES	16JAN06			
0 PLC ± - 1 PLC ± - 2 PLC ± - 3 PLC ± - 4 PLC ± - ANGLES ± - FINISH		PRODUCT SPEC		NAME			
MATERIAL		APPLICATION SPEC		SIZE	CAGE CODE	DRAWING NO	RESTRICTED TO
CARBON STEEL		WEIGHT		A2	00779	C=552101	-
CUSTOMER DRAWING				SCALE	10:1	SHEET	1 of 1
				REV	A		