



Chipsmall Limited consists of a professional team with an average of over 10 year of expertise in the distribution of electronic components. Based in Hongkong, we have already established firm and mutual-benefit business relationships with customers from,Europe,America and south Asia,supplying obsolete and hard-to-find components to meet their specific needs.

With the principle of “Quality Parts,Customers Priority,Honest Operation,and Considerate Service”,our business mainly focus on the distribution of electronic components. Line cards we deal with include Microchip,ALPS,ROHM,Xilinx,Pulse,ON,Everlight and Freescale. Main products comprise IC,Modules,Potentiometer,IC Socket,Relay,Connector.Our parts cover such applications as commercial,industrial, and automotives areas.

We are looking forward to setting up business relationship with you and hope to provide you with the best service and solution. Let us make a better world for our industry!



## Contact us

Tel: +86-755-8981 8866 Fax: +86-755-8427 6832

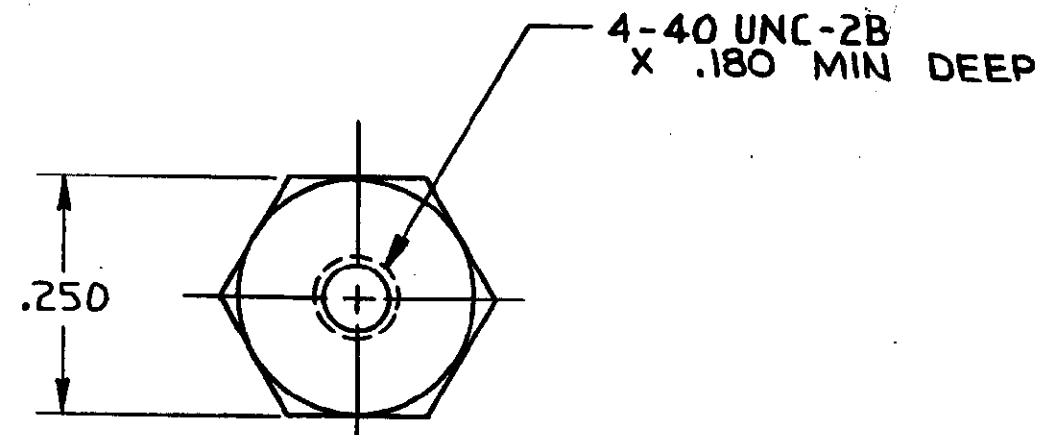
Email & Skype: info@chipsmall.com Web: www.chipsmall.com

Address: A1208, Overseas Decoration Building, #122 Zhenhua RD., Futian, Shenzhen, China

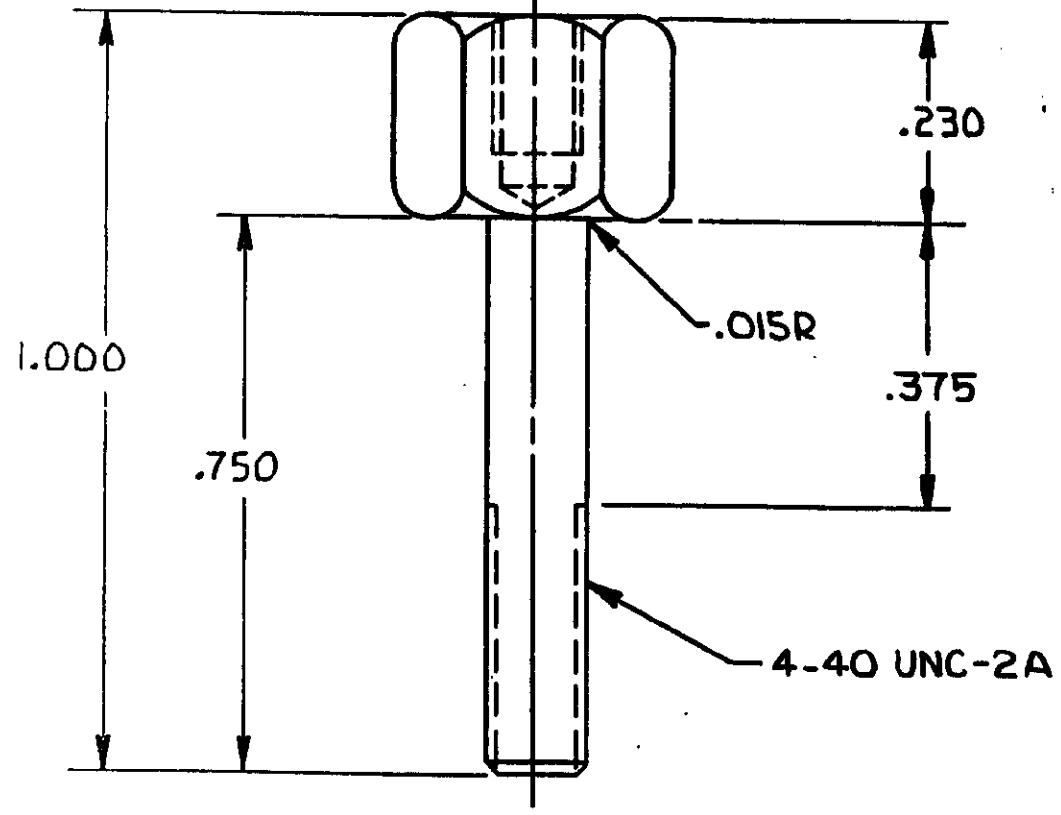


© COPYRIGHT 1976 BY AMP INCORPORATED, HARRISBURG, PA.  
ALL INTERNATIONAL RIGHTS RESERVED. AMP INCORPORATED PRODUCTS  
COVERED BY U. S. AND FOREIGN PATENTS AND/OR PATENTS PENDING.

REVISIONS						
P	F	ZONE	LTR	DESCRIPTION	DATE	APPROVED
G	1		H	REV PER ECO-13-000050	09JAN13	P. RECCE



1. ALL DIM. SHOWN ARE FOR REF ONLY.



552113-1 AS SHOWN

UNLESS OTHERWISE SPECIFIED DIMENSIONS ARE IN INCHES. TOLERANCES ON: DECIMALS ± .001 ANGLES ± .1°		CONTRACT NO	PART NO	
MATERIAL BRASS	DR <i>Amey Holt</i> 5/23/78	CHK <i>RE Raich</i> 6-1-78	AMP INCORPORATED Harrisburg, Pa.	
FINISH NICKEL PLATE	APPD <i>Shleg</i> 6-2-78	APPD	NAME SCREW, MOUNTING, HEX HD	
	DSGN APPD	OTHER APPD	SIZE B	CODE IDENT NO 00779
			NUMBER 552113	
			SCALE 4/1	SHEET 1 OF 1