



Chipsmall Limited consists of a professional team with an average of over 10 year of expertise in the distribution of electronic components. Based in Hongkong, we have already established firm and mutual-benefit business relationships with customers from,Europe,America and south Asia,supplying obsolete and hard-to-find components to meet their specific needs.

With the principle of “Quality Parts,Customers Priority,Honest Operation,and Considerate Service”,our business mainly focus on the distribution of electronic components. Line cards we deal with include Microchip,ALPS,ROHM,Xilinx,Pulse,ON,Everlight and Freescale. Main products comprise IC,Modules,Potentiometer,IC Socket,Relay,Connector.Our parts cover such applications as commercial,industrial, and automotives areas.

We are looking forward to setting up business relationship with you and hope to provide you with the best service and solution. Let us make a better world for our industry!



Contact us

Tel: +86-755-8981 8866 Fax: +86-755-8427 6832

Email & Skype: info@chipsmall.com Web: www.chipsmall.com

Address: A1208, Overseas Decoration Building, #122 Zhenhua RD., Futian, Shenzhen, China



UMK 33 Relay Base

Data Sheet 1092A

January 2000

Features

- Accepts up to 4 PDT relay
- Pluggable base accepts Potter & Brumfield KHA/KHS series and Aromat HC4 series relays
- DIN-rail mounted
- Coil status indication for 24 V dc or 120 V ac
- Separation of coil and contact wiring

Description

The UMK 33 base manufactured by Phoenix Contact allows for a variety of relays to be utilized within one base. The module will accept the following relay contact configurations:

1 PDT, 2 PDT, 3 PDT and 4 PDT.

The UMK 33 standard relay base can be used with any coil voltage. Status indication bases are also available for 24 V dc or 120 V ac.

For hazardous applications, the UMK 33 base can be fitted with the KHS series relay from Potter & Brumfield. This relay is hermetically sealed and UL approved for Class 1 Division 2 hazardous locations. A relay mounting clip must be used for this application to prevent accidental removal of the relay during operation.

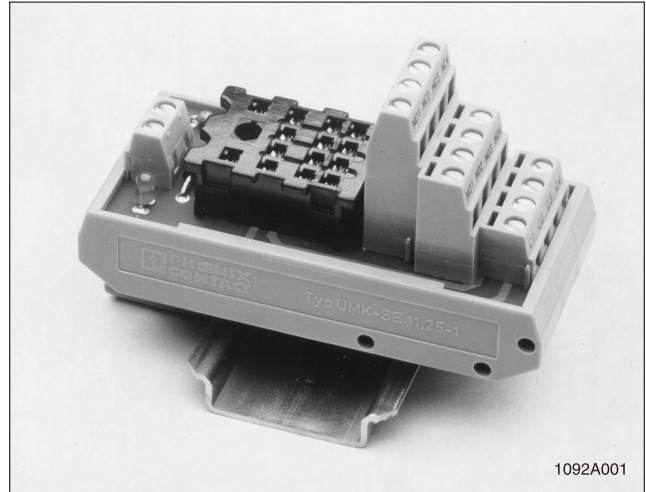


Figure 1. UMK 33 Relay Base

Table 1. UMK 33 Relay Base Specifications

General Specifications	
Technical Data	
Contact rating	10 A @ 300 V maximum
Coil rating	Dependent on relay used with module
General	
Full wire range	30 - 14 AWG
Operating temperature	-20°C to 65°C
Electrical life	relay specific
Isolation (coil contact)	relay specific
Dimensions	
Height	3.15 in. (54.5 mm)
Width	1.33 in. (33.7 mm)
Depth	3.03 in. (77 mm)

1092A002

UMK 33 Relay Base

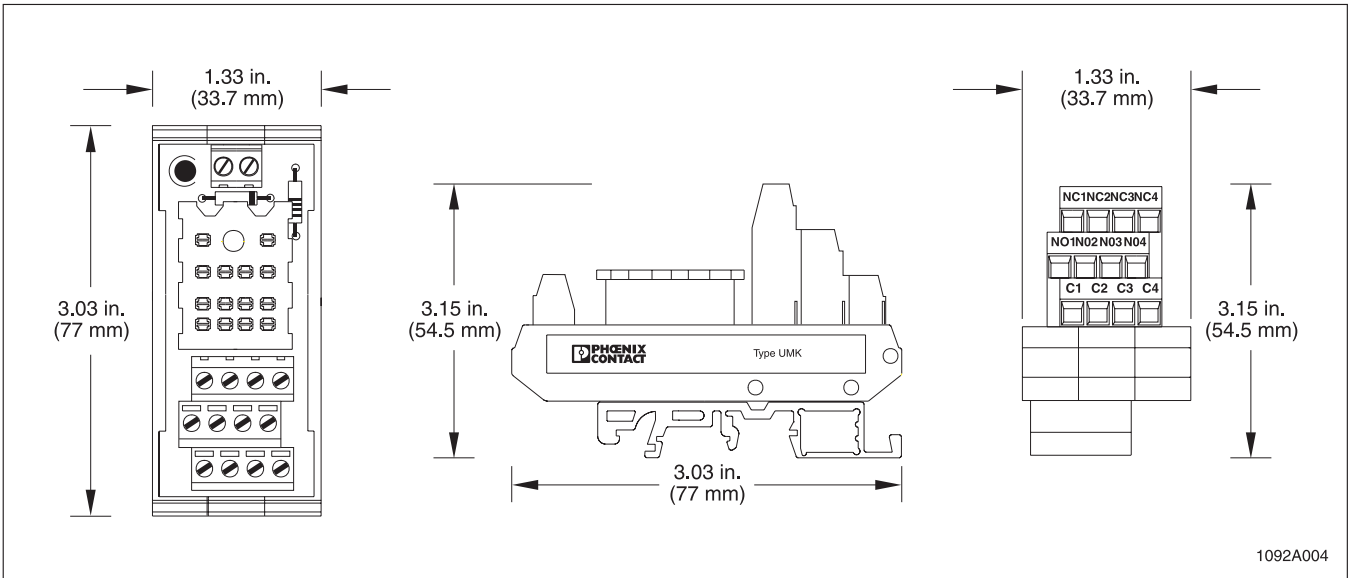


Figure 2. UMK 33 Relay Base Dimensions

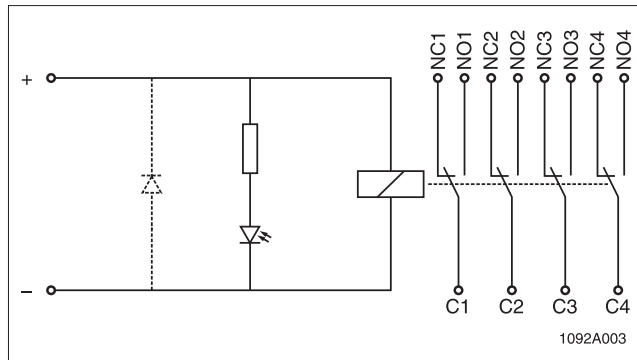


Figure 3. UMK 33 Relay Base Block Diagram

The following are suggested relays for use in the UMK 33 base:

Potter & Brumfield

- KHS-17D12-24*
- KHS-17A12-120*
- KHAU-17D12-24
- KHAU-17A12-120
- 20C217 (mounting clip)

Omron

- MY4-DC24
- MY4-AC120

Aromat

- HC4HDC24
- HC4HAC120

* Hermetically sealed relays

Ordering Information

Standard Base (no indication)

UMK 33-REL NI/4X21-ST 55 21 83 0

Base with coil status indication

UMK 33-REL 24/4X21-ST 55 21 81 4
 UMK 33-REL 120/4X21-ST 55 21 82 7

Headquarters, U.S.

Phoenix Contact Inc.
 P.O. Box 4100
 Harrisburg, PA 17111-0100
 Technical Support and Information: (800) 322-3225
 Fax: (717) 948-3475
 Fax-On-Demand: (800) 944-9901
 Email: info@phoenixcon.com
 Web Site: <http://www.phoenixcontact.com>

Headquarters, Canada

Phoenix Contact Ltd.
 235 Watline Avenue
 Mississauga, Ontario L4Z 1P3
 Phone: (905) 890-2820
 Fax: (905) 890-0180

The information given herein is based on data believed to be reliable, but Phoenix Contact Inc. makes no warranties expressed or implied as to the accuracy and assumes no liability arising out of its use by others. This publication is not to be taken as license to operate under, or recommendation to infringe, any patent.

