



Chipsmall Limited consists of a professional team with an average of over 10 year of expertise in the distribution of electronic components. Based in Hongkong, we have already established firm and mutual-benefit business relationships with customers from,Europe,America and south Asia,supplying obsolete and hard-to-find components to meet their specific needs.

With the principle of "Quality Parts,Customers Priority,Honest Operation,and Considerate Service",our business mainly focus on the distribution of electronic components. Line cards we deal with include Microchip,ALPS,ROHM,Xilinx,Pulse,ON,Everlight and Freescale. Main products comprise IC,Modules,Potentiometer,IC Socket,Relay,Connector.Our parts cover such applications as commercial,industrial, and automotives areas.

We are looking forward to setting up business relationship with you and hope to provide you with the best service and solution. Let us make a better world for our industry!



## Contact us

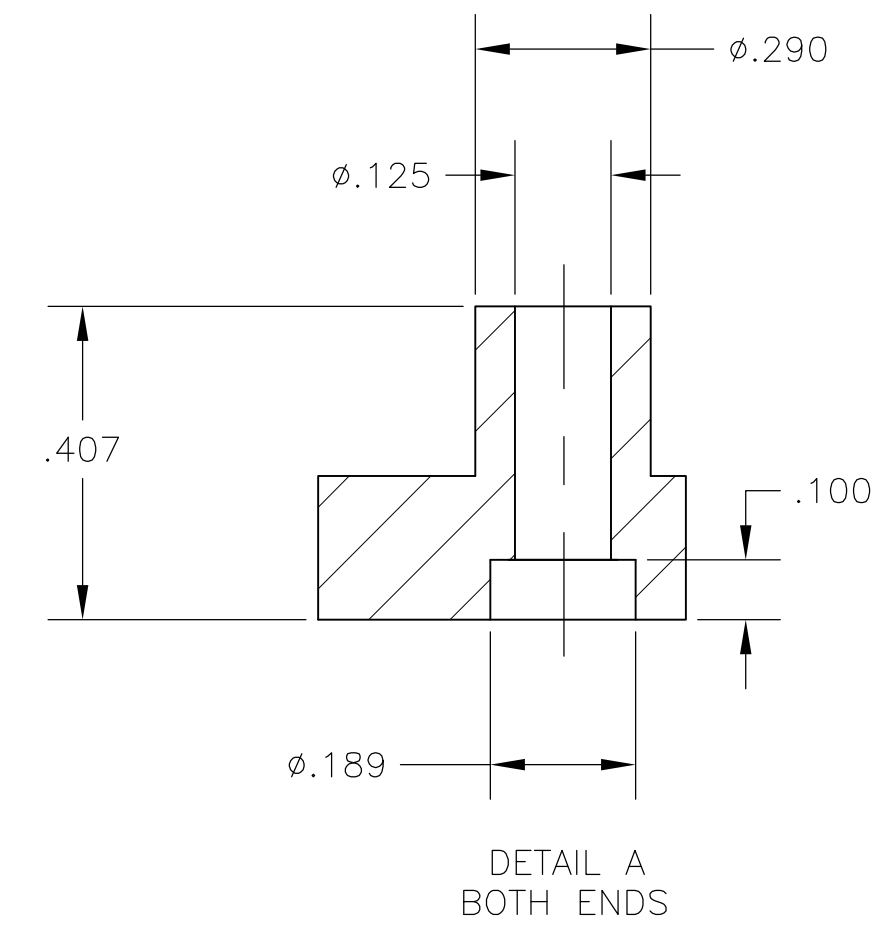
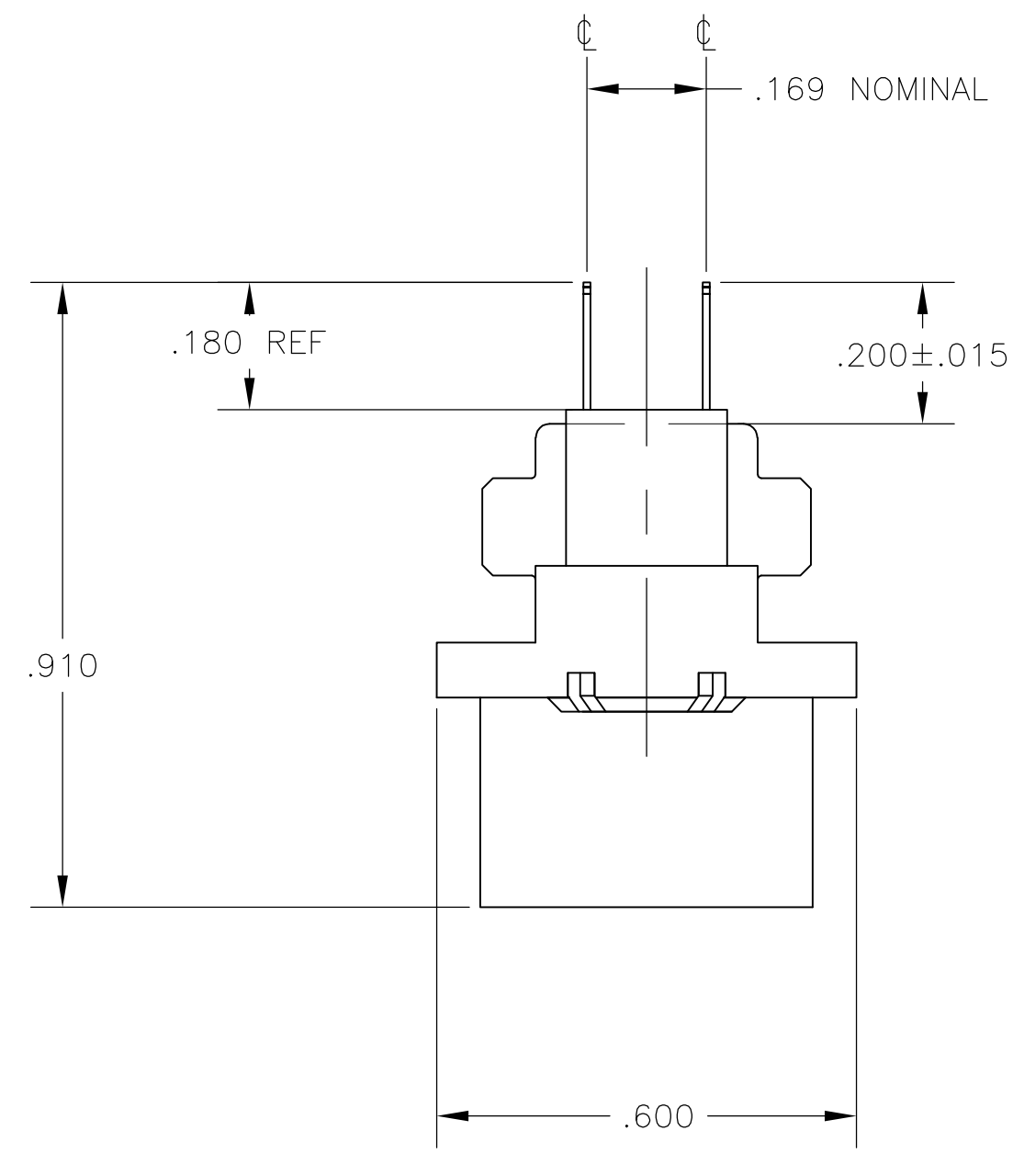
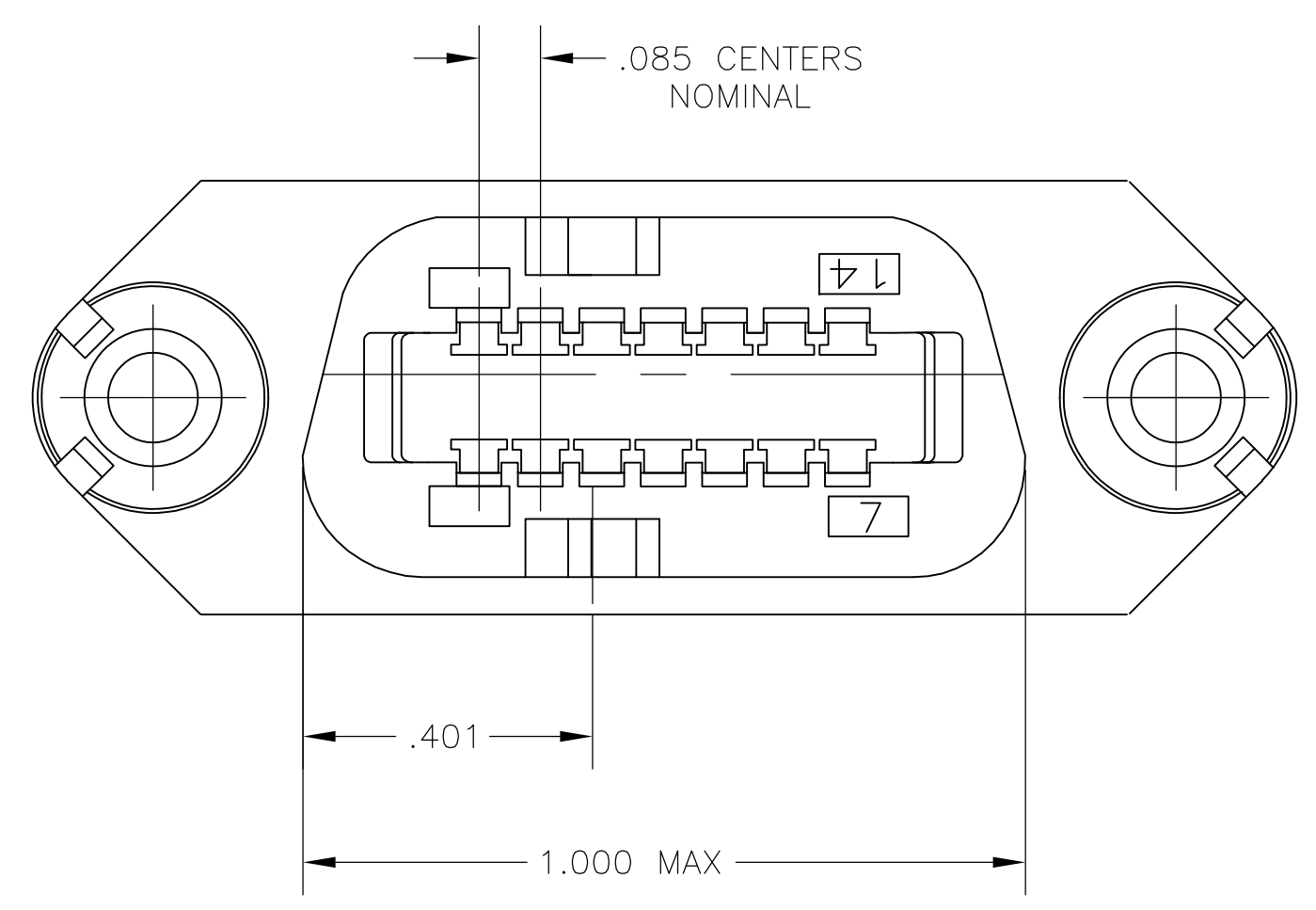
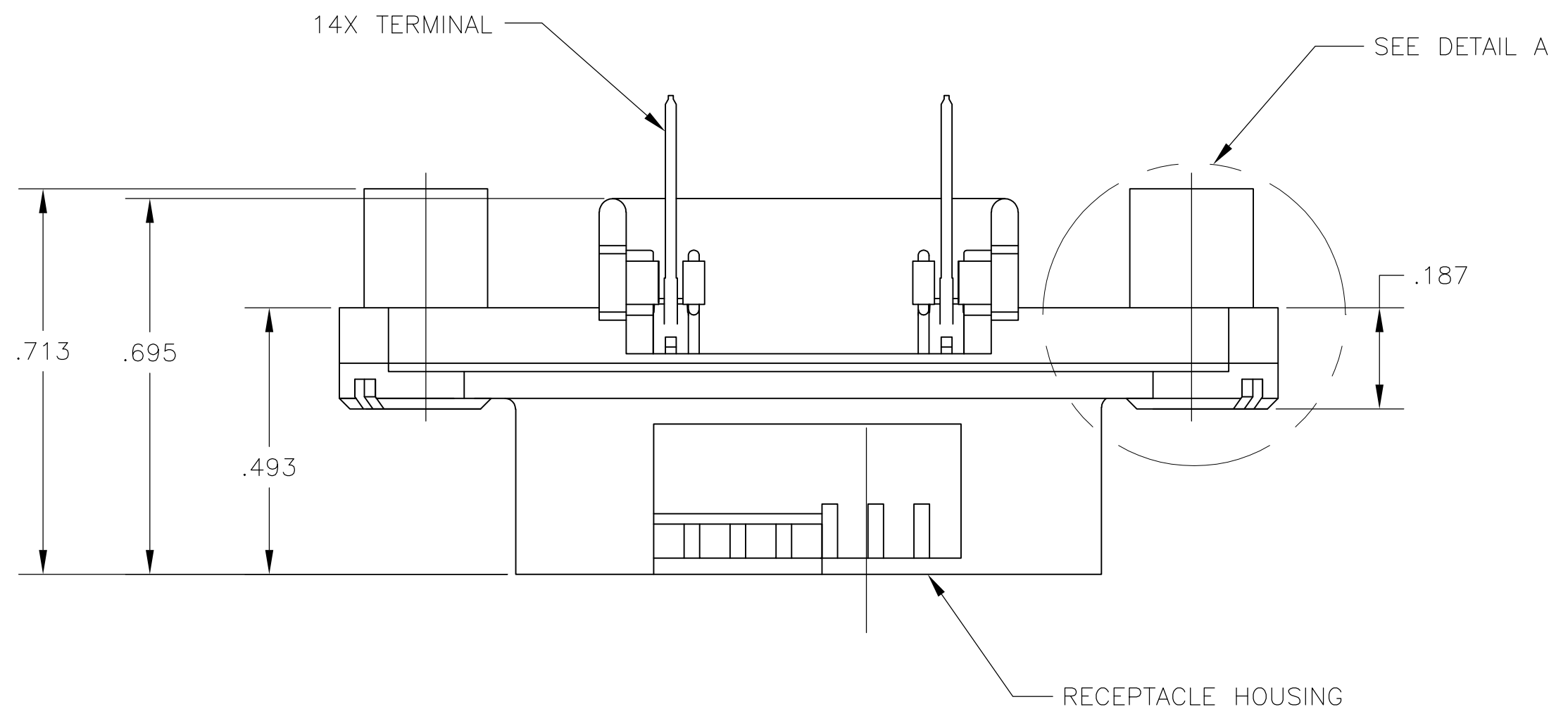
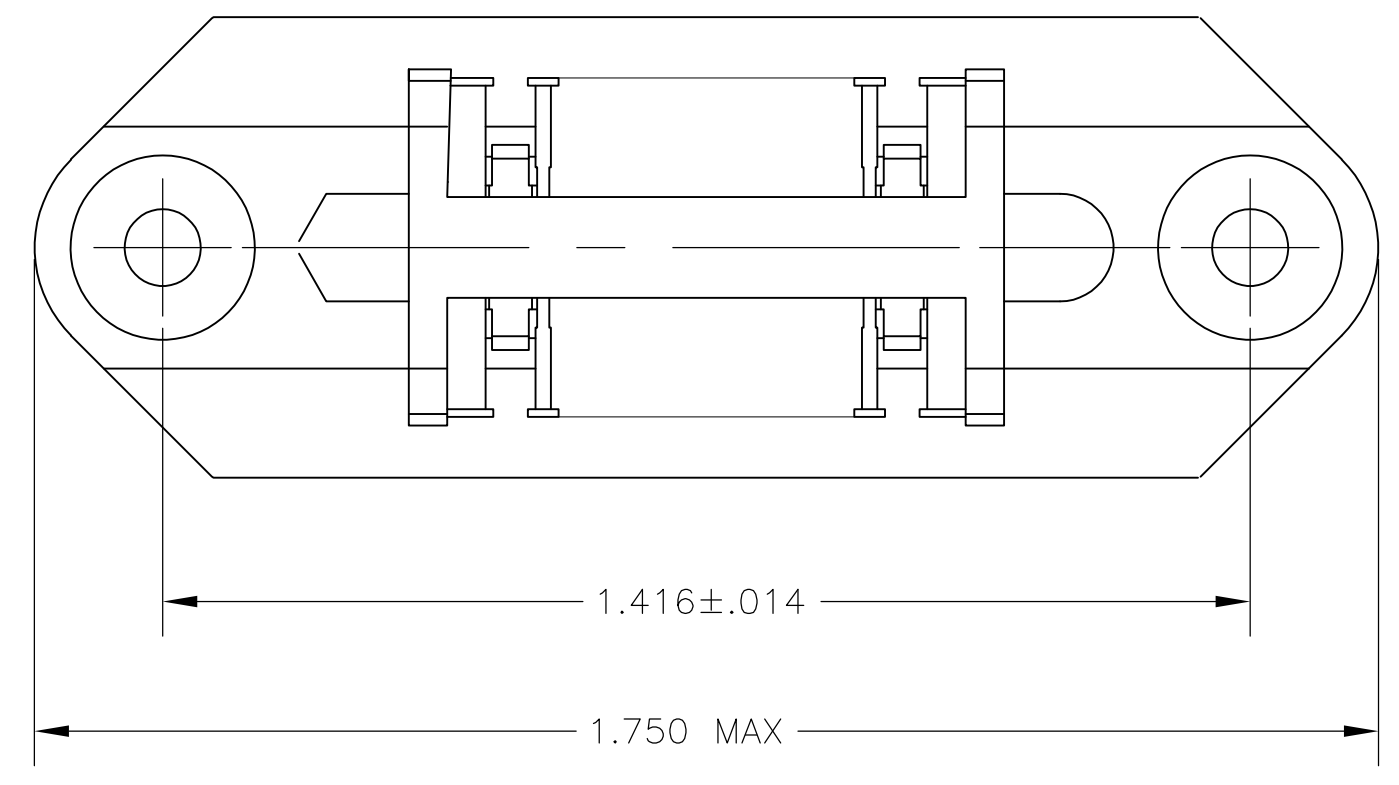
Tel: +86-755-8981 8866 Fax: +86-755-8427 6832

Email & Skype: info@chipsmall.com Web: www.chipsmall.com

Address: A1208, Overseas Decoration Building, #122 Zhenhua RD., Futian, Shenzhen, China



LOC		DIST		REVISIONS			
GP	00	REV	DATE	BY	APP'D	DATE	BY
F		REVISED PER ECO-08-007327	18APR08	BM	WM		



- THE CONTACT SURFACES OF THE TERMINALS ARE COATED WITH LUBRICANT.
- ⚠ ALL DIMENSIONS SHOWN ARE FOR REFERENCE ONLY UNLESS OTHERWISE SPECIFIED.
- ⚠ MATERIAL: HOUSING - THERMOPLASTIC, BLACK.  
 TERMINAL - PHOS BRONZE PLATED WITH EITHER .000030 MINIMUM GOLD PLATE OR GOLD FLASH OVER PALLADIUM NICKEL PLATE, .000030 MIN TOTAL ON MATING SURFACE.  
 .000120 MINIMUM TIN-LEAD PLATE ON TAILS OVER .000050 MINIMUM NICKEL UNDERPLATE OVER ENTIRE TERMINAL.

552212-1  
PART NUMBER

THIS DRAWING IS A CONTROLLED DOCUMENT.		DIN Z. REAM 13/MAR/07	Tyco Electronics Corporation Harrisburg, PA 17105-3608	
DIMENSIONS: INCHES		CHK: W. MILLHIMES 13/MAR/07	NAME: RECEPTACLE ASSEMBLY 14 POSITI VERTICAL MOUNTING, W/ STANDOFFS CHAMP-LOK	
TOLERANCES UNLESS OTHERWISE SPECIFIED:		APP'D: W. MILLHIMES 13/MAR/07	PRODUCT SPEC	
0. PLC ± -		APPLICATION SPEC		
1. PLC ± -		SIZE: A1		
2. PLC ± -		CAGE CODE: 00779		
3. PLC ± -		DRAWING NO: 552212		
4. PLC ± -		RESTRICTED TO: -		
ANGLES ± -		WEIGHT: -		
FINISH: 3		CUSTOMER DRAWING		
		SCALE: 4:1 SHEET 1 OF 1 REV F		