



Chipsmall Limited consists of a professional team with an average of over 10 year of expertise in the distribution of electronic components. Based in Hongkong, we have already established firm and mutual-benefit business relationships with customers from,Europe,America and south Asia,supplying obsolete and hard-to-find components to meet their specific needs.

With the principle of “Quality Parts,Customers Priority,Honest Operation,and Considerate Service”,our business mainly focus on the distribution of electronic components. Line cards we deal with include Microchip,ALPS,ROHM,Xilinx,Pulse,ON,Everlight and Freescale. Main products comprise IC,Modules,Potentiometer,IC Socket,Relay,Connector.Our parts cover such applications as commercial,industrial, and automotives areas.

We are looking forward to setting up business relationship with you and hope to provide you with the best service and solution. Let us make a better world for our industry!



## Contact us

Tel: +86-755-8981 8866 Fax: +86-755-8427 6832

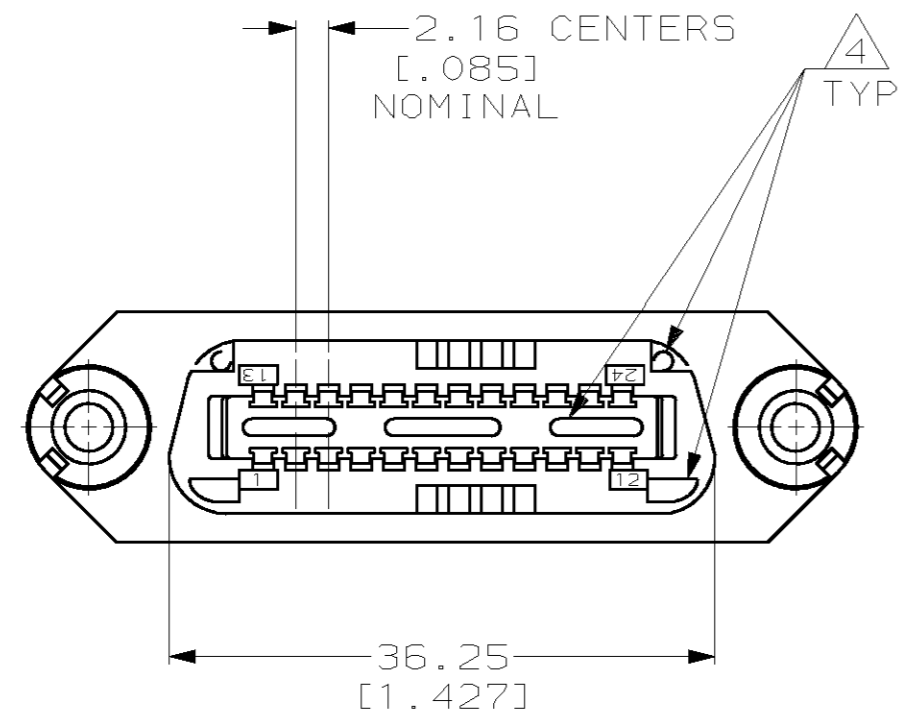
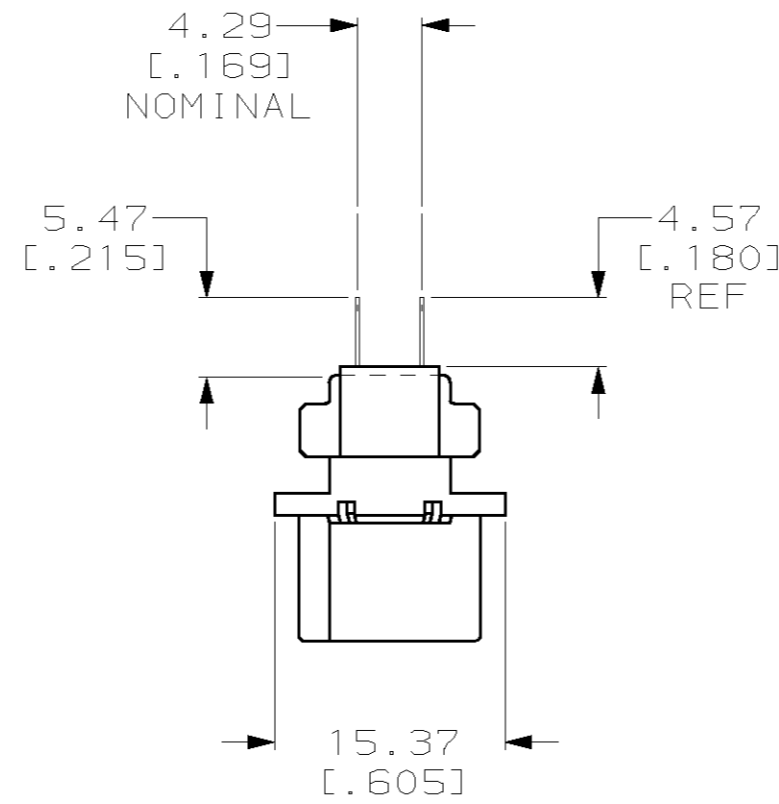
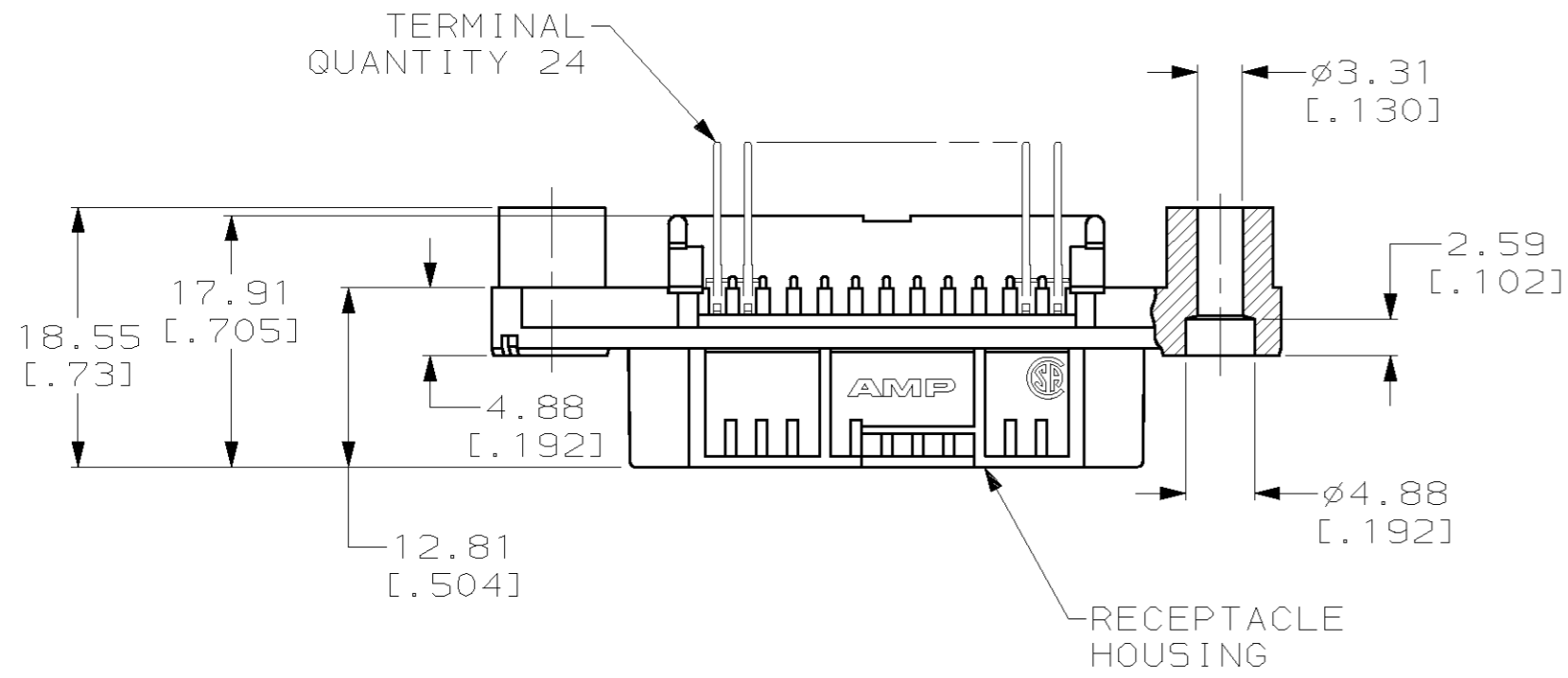
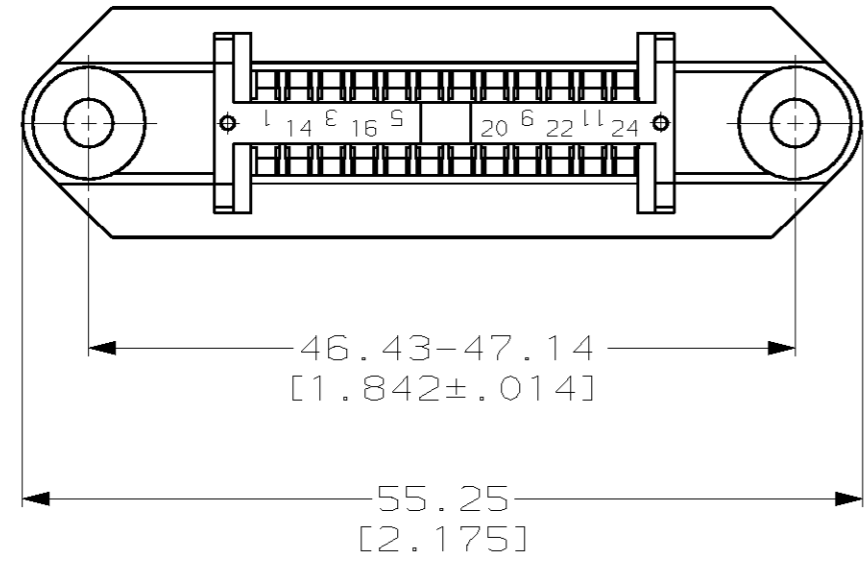
Email & Skype: info@chipsmall.com Web: www.chipsmall.com

Address: A1208, Overseas Decoration Building, #122 Zhenhua RD., Futian, Shenzhen, China



THIS DRAWING IS UNPUBLISHED. RELEASED FOR PUBLICATION .19  
 BY AMP INCORPORATED. ALL RIGHTS RESERVED.

LOC	DIST	REVISIONS			
P	LTR	DESCRIPTION	DATE	DWN	APVD
AA	20	H	REVISED; EC 001C-0072-01	11MAY01	DLD EWB



- 1. DIMENSIONS ARE MAXIMUM UNLESS OTHERWISE SPECIFIED.
- 2. THE CONTACT SURFACES OF THE TERMINALS ARE COATED WITH LUBRICANT.
- 3. MATERIAL: HOUSING - THERMOPLASTIC, BLACK. TERMINALS - PHOSPHOR BRONZE PLATED WITH 0.76µm [.000030] MINIMUM GOLD ON MATING SURFACE AND 3.05µm [.000120] MINIMUM MATTE TIN-LEAD ON TAILS OVER 1.27µm [.000050] MINIMUM NICKEL UNDERPLATE OVER ENTIRE TERMINAL.
- 4. THIS FEATURE IS A CORED AREA AND IS OPTIONAL ON PART.

552224

552224-1  
PART NUMBER

THIS DRAWING IS A CONTROLLED DOCUMENT.		DWN B. SIMPSON 28JUL94	AMP TYCO Electronics Harrisburg, PA 17105-3608																		
DIMENSIONS: [mm] INCHES		CHK C. WHITT 26OCT94	NAME R. FLAHERTY																		
TOLERANCES UNLESS OTHERWISE SPECIFIED:		APVD R. FLAHERTY 02NOV94	PRODUCT SPEC																		
<table border="0"> <tr><td>0 PLC</td><td>±-</td><td></td></tr> <tr><td>1 PLC</td><td>±-</td><td></td></tr> <tr><td>2 PLC</td><td>±-</td><td>△</td></tr> <tr><td>3 PLC</td><td>±-</td><td></td></tr> <tr><td>4 PLC</td><td>±-</td><td></td></tr> <tr><td>ANGLES</td><td>±-</td><td></td></tr> </table>		0 PLC	±-		1 PLC	±-		2 PLC	±-	△	3 PLC	±-		4 PLC	±-		ANGLES	±-		APPLICATION SPEC	
0 PLC	±-																				
1 PLC	±-																				
2 PLC	±-	△																			
3 PLC	±-																				
4 PLC	±-																				
ANGLES	±-																				
MATERIAL		WEIGHT	SIZE	RESTRICTED TO																	
△		-	A2 00779 C- 552224	-																	
FINISH		SCALE		SHEET																	
△		2:1		1 OF 1																	
CUSTOMER DRAWING		REV		H																	