



Chipsmall Limited consists of a professional team with an average of over 10 year of expertise in the distribution of electronic components. Based in Hongkong, we have already established firm and mutual-benefit business relationships with customers from,Europe,America and south Asia,supplying obsolete and hard-to-find components to meet their specific needs.

With the principle of “Quality Parts,Customers Priority,Honest Operation,and Considerate Service”,our business mainly focus on the distribution of electronic components. Line cards we deal with include Microchip,ALPS,ROHM,Xilinx,Pulse,ON,Everlight and Freescale. Main products comprise IC,Modules,Potentiometer,IC Socket,Relay,Connector.Our parts cover such applications as commercial,industrial, and automotives areas.

We are looking forward to setting up business relationship with you and hope to provide you with the best service and solution. Let us make a better world for our industry!



Contact us

Tel: +86-755-8981 8866 Fax: +86-755-8427 6832

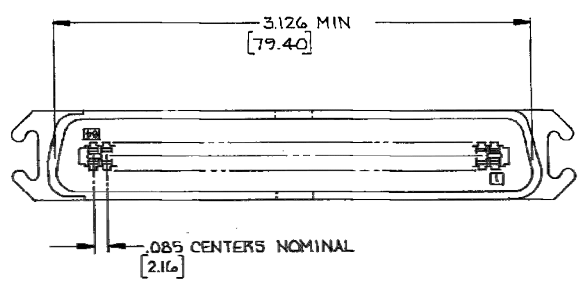
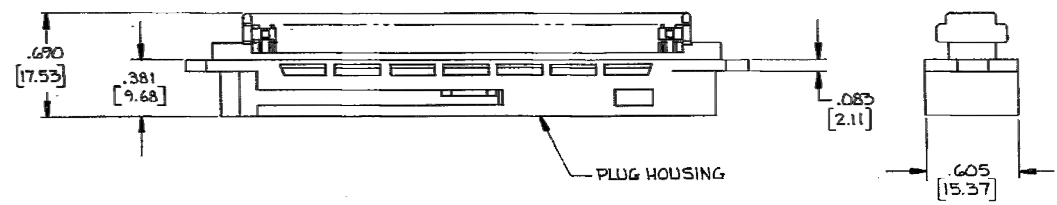
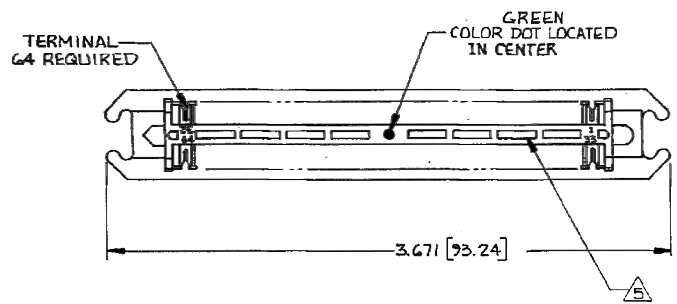
Email & Skype: info@chipsmall.com Web: www.chipsmall.com

Address: A1208, Overseas Decoration Building, #122 Zhenhua RD., Futian, Shenzhen, China



THIS DRAWING IS UNPUBLISHED. RELEASED FOR PUBLICATION
 © COPYRIGHT BY TYCO ELECTRONICS CORPORATION. ALL RIGHTS RESERVED.

LOC		DIST		REVISIONS			
#	LTR	DESCRIPTION	DATE	DWN	APVD		
GP	00	J	REVISED PER ECC-08-007327	27JAN2009	ZMR/WLM		



1. THE CONTACT SURFACES OF THE TERMINALS ARE COATED WITH LUBRICANT.
2. ALL DIMENSIONS SHOWN ARE FOR REFERENCE ONLY UNLESS OTHERWISE SPECIFIED.
3. MATERIAL:
 HOUSING - POLYPHENYLENE OXIDE (BLACK)
 TERMINALS - BERYLLIUM COPPER PLATED WITH EITHER .000030 [0.76µm] MIN GOLD OR GOLD FLASH OVER PALLADIUM NICKEL .000030 [0.76µm] MIN TOTAL, IN LOCALIZED GOLD PLATED AREA. .000050 [1.27µm] MIN NICKEL UNDERPLATE OVER ENTIRE TERMINAL.
4. WIRE SIZE: 22 AWG SOLID OR 22 AWG 7 STRANDS OF COPPER CONDUCTORS. MAX INSULATION DIAMETER OF .045 IS ACCEPTABLE FOR MOST APPLICATIONS.
5. CORING MAY OR MAY NOT APPEAR AND IS AT THE DISCRETION OF TYCO ELECTRONICS.
6. DIMENSIONS IN BRACKETS [] ARE MILLIMETERS.

AS SHOWN	552320-1
DESCRIPTION	PART NO

THIS DRAWING IS A CONTROLLED DOCUMENT.		DWN D. BUTNER 5-3-90	Tyco Electronics Corporation Harrisburg, PA 17105-3608	
DIMENSIONS: INCHES		CHK A. HOLT 5-15-90	NAME	
TOLERANCES UNLESS OTHERWISE SPECIFIED:		APVD J. TRAMMEL 5-17-90	PRODUCT SPEC	
0 PLC ± .0005	1 PLC ± .0010	APPLICATION SPEC		
2 PLC ± .0015	3 PLC ± .0020	WEIGHT		
4 PLC ± .0025	ANGLES ± .0005	FINISH		
MATERIAL	RESTRICTED TO	SIZE A2	CAGE CODE 00779	DRAWING NO 552320
CUSTOMER DRAWING	SCALE NTS	SHEET 1 OF 1	REV J	

552320