



Chipsmall Limited consists of a professional team with an average of over 10 year of expertise in the distribution of electronic components. Based in Hongkong, we have already established firm and mutual-benefit business relationships with customers from,Europe,America and south Asia,supplying obsolete and hard-to-find components to meet their specific needs.

With the principle of “Quality Parts,Customers Priority,Honest Operation,and Considerate Service”,our business mainly focus on the distribution of electronic components. Line cards we deal with include Microchip,ALPS,ROHM,Xilinx,Pulse,ON,Everlight and Freescale. Main products comprise IC,Modules,Potentiometer,IC Socket,Relay,Connector.Our parts cover such applications as commercial,industrial, and automotives areas.

We are looking forward to setting up business relationship with you and hope to provide you with the best service and solution. Let us make a better world for our industry!



## Contact us

Tel: +86-755-8981 8866 Fax: +86-755-8427 6832

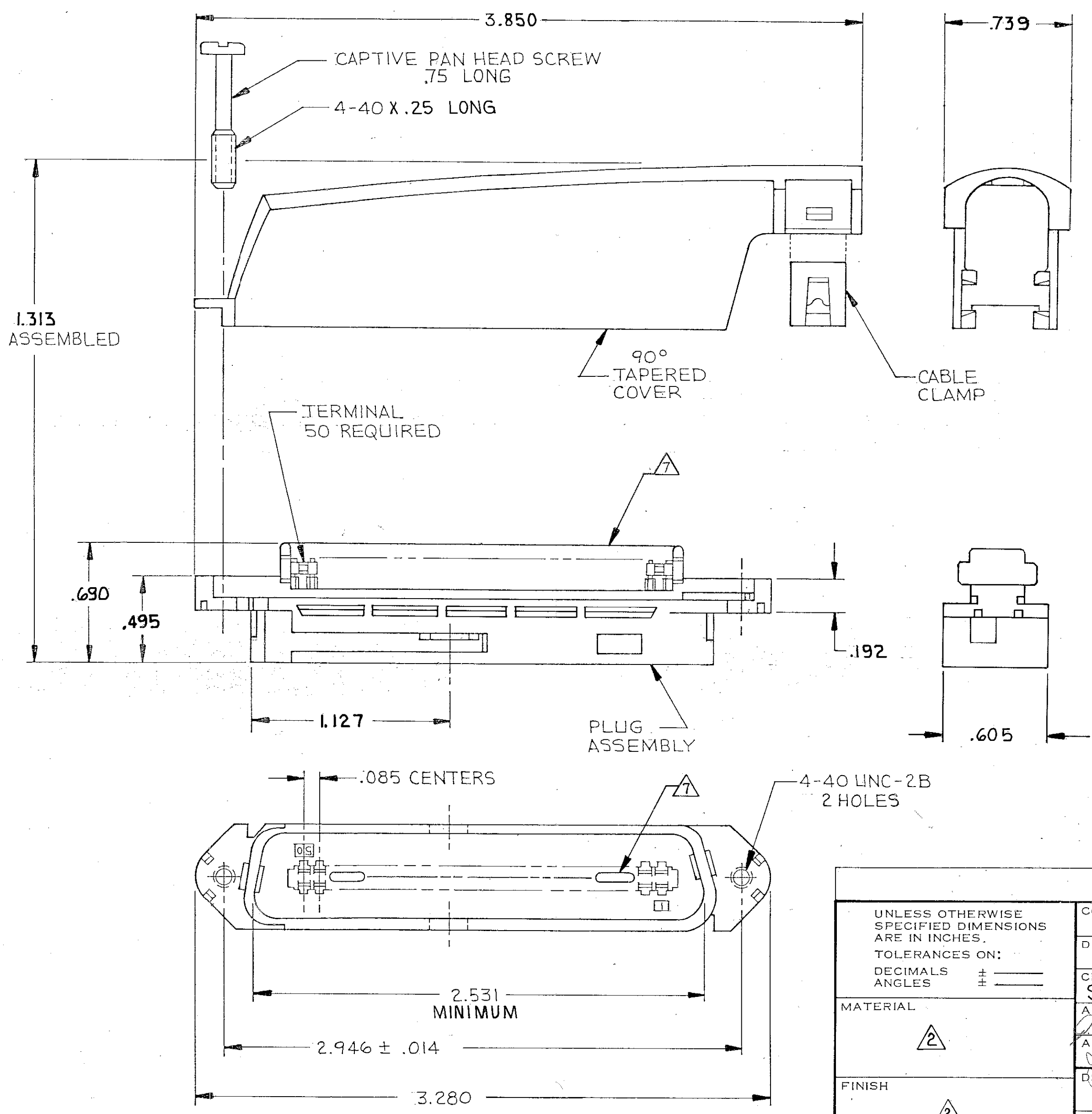
Email & Skype: info@chipsmall.com Web: www.chipsmall.com

Address: A1208, Overseas Decoration Building, #122 Zhenhua RD., Futian, Shenzhen, China



THIS DRAWING IS UNPUBLISHED. RELEASED FOR PUBLICATION, 19  
© COPYRIGHT 19 BY AMP INCORPORATED, HARRISBURG, PA. ALL INTERNATIONAL RIGHTS RESERVED. AMP PRODUCTS MAY BE COVERED BY U.S. AND FOREIGN PATENTS AND/OR PATENTS PENDING.

REVISIONS					DATE	APPROVED
P	F	ZONE	LTR	DESCRIPTION		
N				OBsolete - 4; ECN AA-5904	11-30-89	LHS TC
P				REV; EC OUC-0040-01	3-19-01	DD EB



1. THE CONTACT SURFACES OF THE TERMINALS ARE COATED WITH LUBRICANT.
  2. MATERIAL: HOUSING, COVER AND CABLE CLAMP - THERMOPLASTIC. TERMINALS - GOLD OVER NICKEL PLATED HIGH STRENGTH COPPER ALLOY. HARDWARE - ZINC PLATED STEEL.
  3. THIS KIT SHIPPED UNASSEMBLED.
  4. WIRE SIZE: 22 AWG SOLID OR 22 AWG, 7 STRANDS OF COPPER CONDUCTORS. MAXIMUM INSULATION DIAMETER OF .045 IS ACCEPTABLE FOR MOST APPLICATIONS.
  5. ALL DIMENSIONS SHOWN ARE MAXIMUM UNLESS OTHERWISE SPECIFIED.
  6. KIT SHIPPED IN POLY BAG FORM.
- △ CORING MAY OR MAY NOT APPEAR AND IS AT THE DISCRETION OF AMP INCORPORATED.

.550	BLACK	552382-1
.500	COLOR	PART NO

UNLESS OTHERWISE SPECIFIED DIMENSIONS ARE IN INCHES. TOLERANCES ON: DECIMALS ± _____ ANGLES ± _____	CONTRACT NO	<b>AMP</b>   AMP INCORPORATED Harrisburg, Pa. 17105		
	DR <i>J. Johnson 7-8-86</i>			
	MATERIAL △ 2	CHK <i>Stephen Doss 7-17-86</i>	NAME PLUG KIT, 50 POSITION, C SLOT, SCREW LOCK, TAPERED COVER, CHAMP-LOK	
	FINISH △ 2	APPD <i>[Signature]</i> 7-17-86 APPD <i>[Signature]</i> 7-17-86 DSGN APPD OTHER APPD	SIZE <b>C</b>	FSCM NO <b>00779</b>
SCALE 2:1		SHEET 1 OF 1		

552382