



Chipsmall Limited consists of a professional team with an average of over 10 year of expertise in the distribution of electronic components. Based in Hongkong, we have already established firm and mutual-benefit business relationships with customers from,Europe,America and south Asia,supplying obsolete and hard-to-find components to meet their specific needs.

With the principle of “Quality Parts,Customers Priority,Honest Operation,and Considerate Service”,our business mainly focus on the distribution of electronic components. Line cards we deal with include Microchip,ALPS,ROHM,Xilinx,Pulse,ON,Everlight and Freescale. Main products comprise IC,Modules,Potentiometer,IC Socket,Relay,Connector.Our parts cover such applications as commercial,industrial, and automotives areas.

We are looking forward to setting up business relationship with you and hope to provide you with the best service and solution. Let us make a better world for our industry!



Contact us

Tel: +86-755-8981 8866 Fax: +86-755-8427 6832

Email & Skype: info@chipsmall.com Web: www.chipsmall.com

Address: A1208, Overseas Decoration Building, #122 Zhenhua RD., Futian, Shenzhen, China



DRAWING MADE IN THIRD ANGLE PROJECTION

3

2

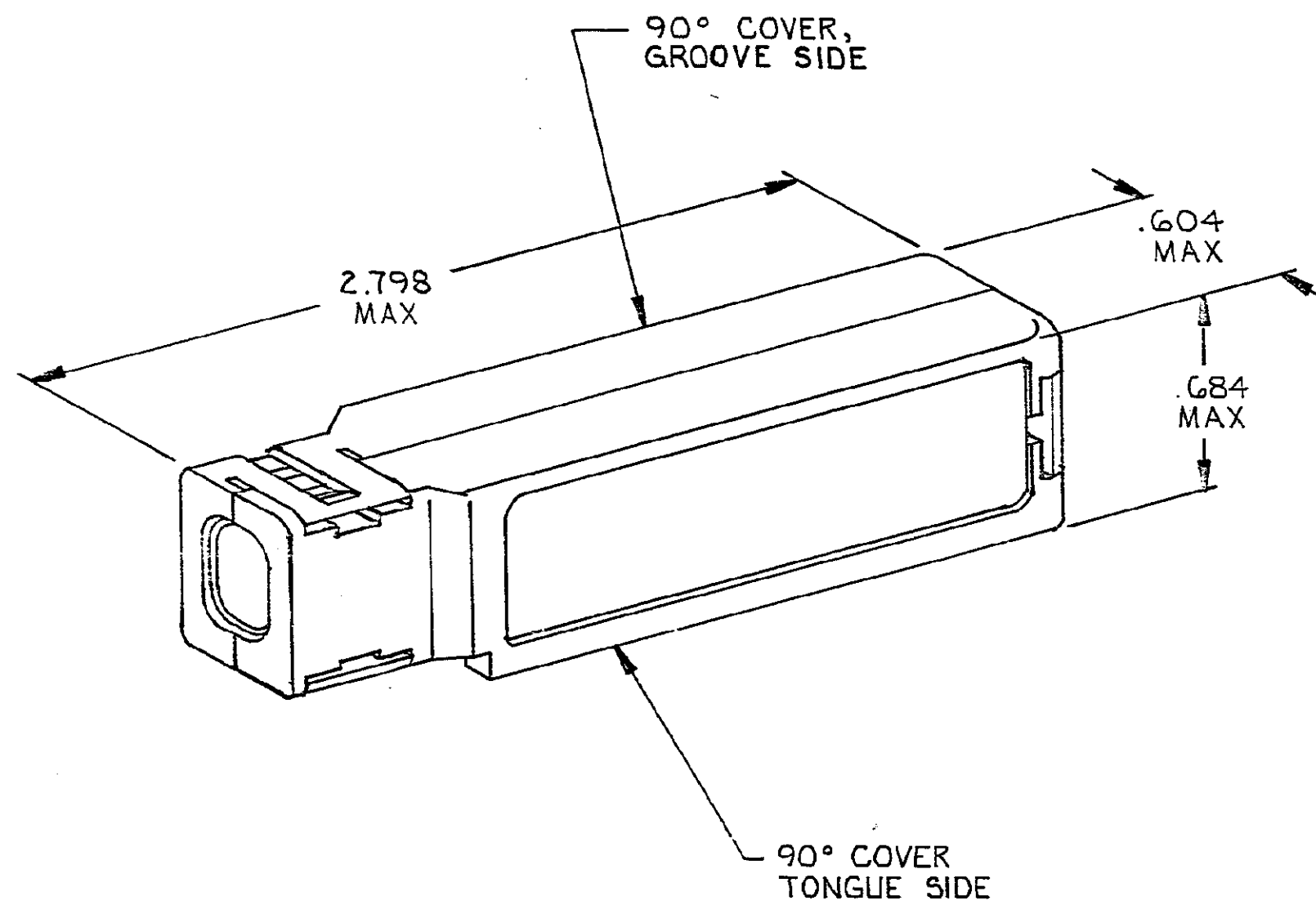
1

LOC DIST
AA 20

THIS DRAWING IS UNPUBLISHED. RELEASED FOR PUBLICATION, 19
 © COPYRIGHT 19 BY AMP INCORPORATED, HARRISBURG, PA. ALL INTERNATIONAL RIGHTS RESERVED. AMP PRODUCTS MAY BE COVERED BY U.S. AND FOREIGN PATENTS AND/OR PATENTS PENDING.

REVISIONS				DATE	APPROVED
P	F	ZONE	LTR	DESCRIPTION	
H	V		H	OBSOLETE 5/1 & 5/2, ECN AA-4830	5/30/89 TE

- COVERS SHIPPED NOT ASSEMBLED.
- 100 KITS BULK PACKED.



552414

BULK	.330-.380 .305-.360	BLACK	3-552422-1 552422-1	3-552421-1 552421-1	3-552414-1 552414-1
PACKAGING	CABLE RANGE DIAMETER	COLOR	GROOVE SIDE PART NO.	TONGUE SIDE PART NO.	KIT PART NO.

UNLESS OTHERWISE SPECIFIED DIMENSIONS ARE IN INCHES. TOLERANCES ON: DECIMALS ± ANGLES ±	CONTRACT NO		AMP AMP INCORPORATED Harrisburg, Pa. 17105		
	DR P.K. COLLINS 5-3-83		NAME COVER KIT, 90°, 36 POSITION, CHAMP®		
	CHK Stephen Dora 5/5/83		SIZE C		
	APPD C.F. Moore 5/5/83				
MATERIAL POLYPHENYLENE	APPD D. Hill 5/5/83		FSCM NO 00779	DRAWING NO 552414	
FINISH	DSGN APPD 1		SCALE 2:1		SHEET 1 OF 1
	OTHER APPD				