



Chipsmall Limited consists of a professional team with an average of over 10 year of expertise in the distribution of electronic components. Based in Hongkong, we have already established firm and mutual-benefit business relationships with customers from,Europe,America and south Asia,supplying obsolete and hard-to-find components to meet their specific needs.

With the principle of “Quality Parts,Customers Priority,Honest Operation,and Considerate Service”,our business mainly focus on the distribution of electronic components. Line cards we deal with include Microchip,ALPS,ROHM,Xilinx,Pulse,ON,Everlight and Freescale. Main products comprise IC,Modules,Potentiometer,IC Socket,Relay,Connector.Our parts cover such applications as commercial,industrial, and automotives areas.

We are looking forward to setting up business relationship with you and hope to provide you with the best service and solution. Let us make a better world for our industry!



Contact us

Tel: +86-755-8981 8866 Fax: +86-755-8427 6832

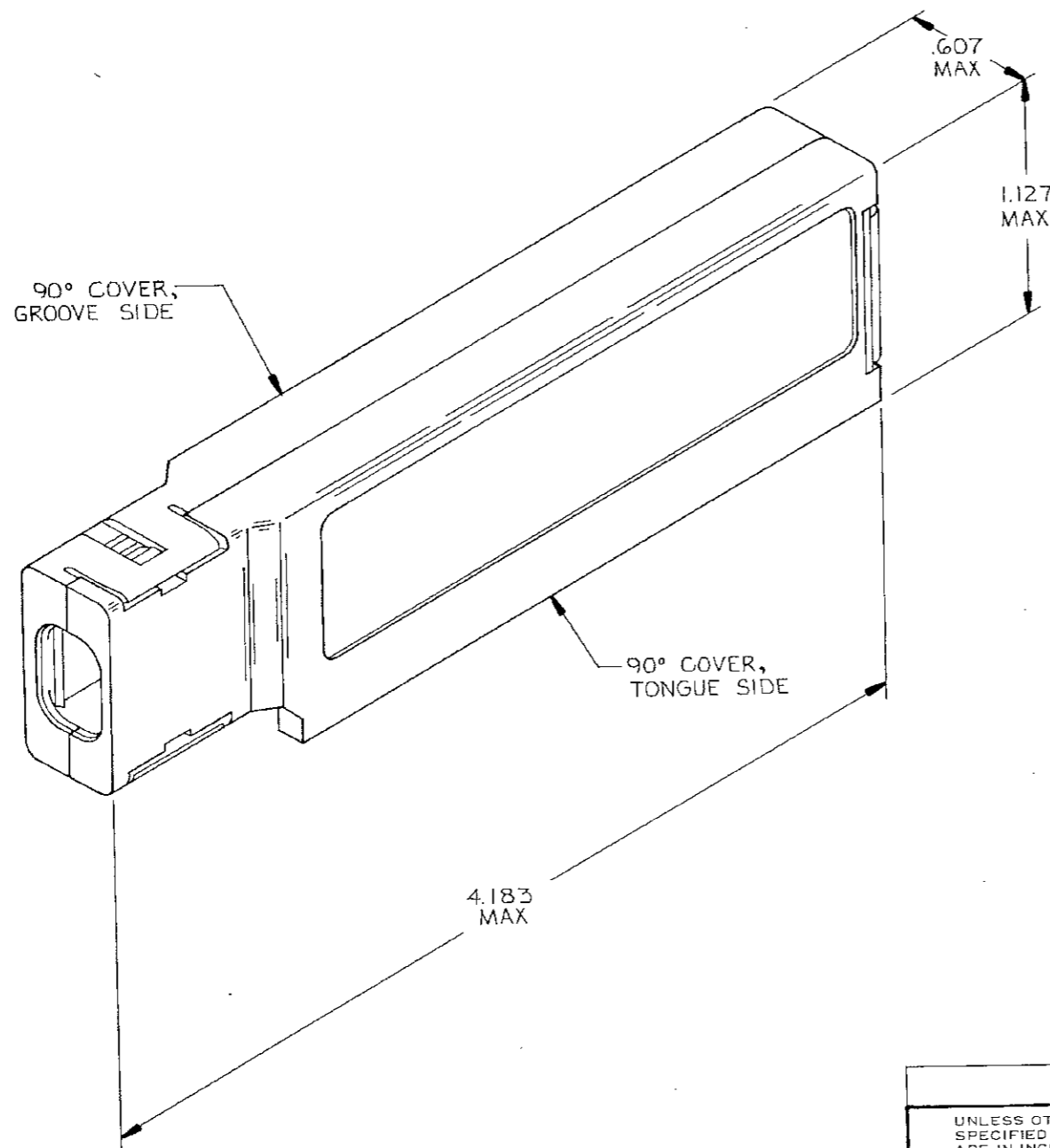
Email & Skype: info@chipsmall.com Web: www.chipsmall.com

Address: A1208, Overseas Decoration Building, #122 Zhenhua RD., Futian, Shenzhen, China



P		F		ZONE		LTR		REVISIONS		DATE	APPROVED
								J1	REVISED PER ECO-11-005297	08APR11	RK HMR

1. COVERS SHIPPED NOT ASSEMBLED.
2. 100 KITS BULK PACKED.



.540 - .605	BLACK	2-	-1	2-	-1	2-	-1
.475 - .540		1-	-1	1-	-1	1-	-1
.410 - .475	BLACK						
CABLE RANGE	COLOR	GROOVE SIDE PART NO.		TONGUE SIDE PART NO.		KIT PART NO.	
		552494 -1		552495 -1		552496 -1	

UNLESS OTHERWISE SPECIFIED DIMENSIONS ARE IN INCHES. TOLERANCES ON: DECIMALS ± — ANGLES ± —	CONTRACT NO	TE TE Connectivity			
	DR S. Pozoranchuk 1-29-85			NAME COVER KIT, 90 DEG 64 POSITION, CHAMP®	
	MATERIAL POLYPHENYLENE	CHK C. Canty 1-30-85	APPD W. Quinn 1-31-85		
	FINISH	APPD M. K. Roberts 1-31-85	DSGN APPD		
	OTHER APPD	SIZE C	FSCM NO 00779	DRAWING NO 552496	
		SCALE 2:1	SHEET 1 OF 1		

552496

CUSTOMER DRAWING