



Chipsmall Limited consists of a professional team with an average of over 10 year of expertise in the distribution of electronic components. Based in Hongkong, we have already established firm and mutual-benefit business relationships with customers from,Europe,America and south Asia,supplying obsolete and hard-to-find components to meet their specific needs.

With the principle of “Quality Parts,Customers Priority,Honest Operation,and Considerate Service”,our business mainly focus on the distribution of electronic components. Line cards we deal with include Microchip,ALPS,ROHM,Xilinx,Pulse,ON,Everlight and Freescale. Main products comprise IC,Modules,Potentiometer,IC Socket,Relay,Connector.Our parts cover such applications as commercial,industrial, and automotives areas.

We are looking forward to setting up business relationship with you and hope to provide you with the best service and solution. Let us make a better world for our industry!



## Contact us

Tel: +86-755-8981 8866 Fax: +86-755-8427 6832

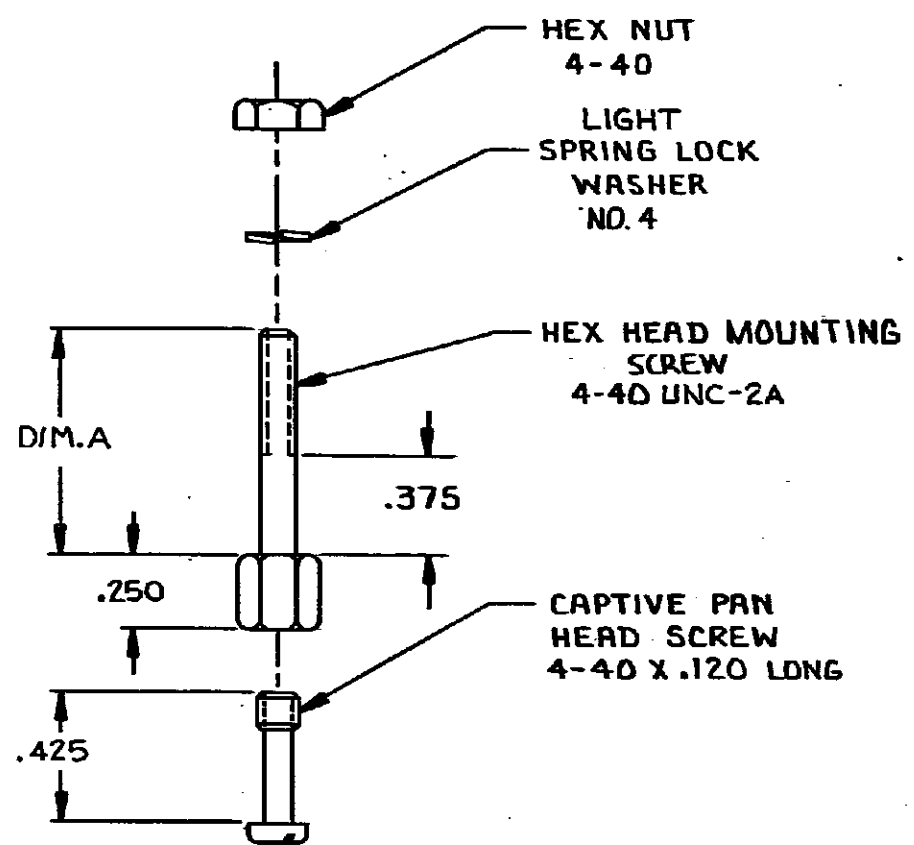
Email & Skype: info@chipsmall.com Web: www.chipsmall.com

Address: A1208, Overseas Decoration Building, #122 Zhenhua RD., Futian, Shenzhen, China



THIS DRAWING IS UNPUBLISHED. RELEASED FOR PUBLICATION 19  
 © COPYRIGHT 1975 BY AMP INCORPORATED, HARRISBURG, PA. ALL INTERNATIONAL RIGHTS RESERVED. AMP PRODUCTS MAY BE COVERED BY U.S. AND FOREIGN PATENTS AND/OR PATENTS PENDING.

REVISIONS						
P	F	ZONE	LTR	DESCRIPTION	DATE	APPROVED
K			K	REV PER ECN. AA-4246	10-20-81	<i>[Signature]</i>



1. ALL DIMENSIONS SHOWN ARE FOR REFERENCE ONLY UNLESS OTHERWISE SPECIFIED.
2. TWD (2) REQUIRED OF EACH COMPONENT PER KIT.
3. MATERIAL: PAN HEAD SCREW-ZINC PLATED STEEL. LOCK WASHERS-PASSIVATED STAINLESS STEEL. HEX HEAD SCREW - BRASS WITH CHROME PLATE. HEX NUT - PASSIVATED STAINLESS STEEL.

DIM. A	WASHER DESCRIPTION	PART NO
.625	SPRING LOCK WASHER	552563-2
.750		552563-1

UNLESS OTHERWISE SPECIFIED DIMENSIONS ARE IN INCHES. TOLERANCES ON: DECIMALS ± ANGLES ±	CONTRACT NO		<b>AMP</b>   AMP INCORPORATED Harrisburg, Pa.		
	DR. <i>A. Holt</i> 9-4-81				
	MATERIAL ③	CHK. <i>Minick</i> 9-9-81		NAME HARDWARE KIT, SCREW LOCK, VERTICAL MOUNTING, CHAMP	
		APPRO. <i>[Signature]</i> 9/12/81		SIZE <b>B</b>	FSCM NO <b>00779</b>
FINISH ③	DSGN APPD. <i>[Signature]</i>		SCALE 2:1	SHEET 1 OF 1	
		OTHER APPD.			

AMP 1470-15 REV 2-81

**CUSTOMER DRAWING**