



Chipsmall Limited consists of a professional team with an average of over 10 year of expertise in the distribution of electronic components. Based in Hongkong, we have already established firm and mutual-benefit business relationships with customers from,Europe,America and south Asia,supplying obsolete and hard-to-find components to meet their specific needs.

With the principle of “Quality Parts,Customers Priority,Honest Operation,and Considerate Service”,our business mainly focus on the distribution of electronic components. Line cards we deal with include Microchip,ALPS,ROHM,Xilinx,Pulse,ON,Everlight and Freescale. Main products comprise IC,Modules,Potentiometer,IC Socket,Relay,Connector.Our parts cover such applications as commercial,industrial, and automotives areas.

We are looking forward to setting up business relationship with you and hope to provide you with the best service and solution. Let us make a better world for our industry!



## Contact us

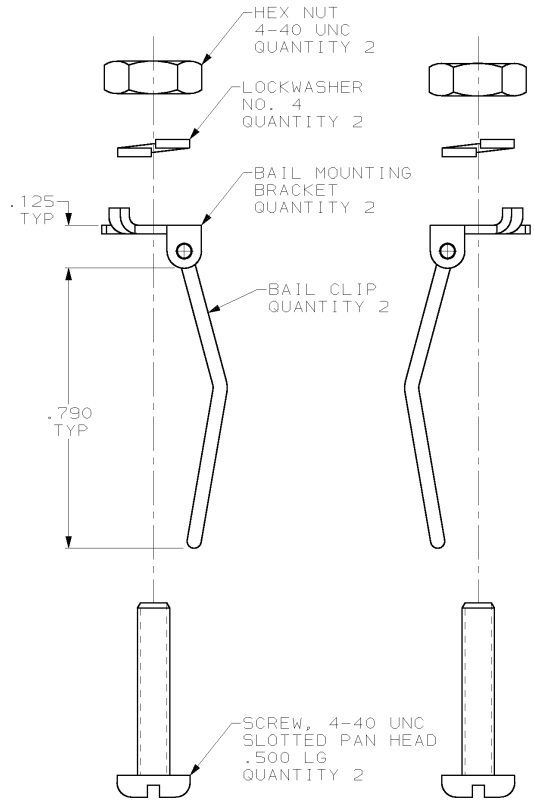
Tel: +86-755-8981 8866 Fax: +86-755-8427 6832

Email & Skype: info@chipsmall.com Web: www.chipsmall.com

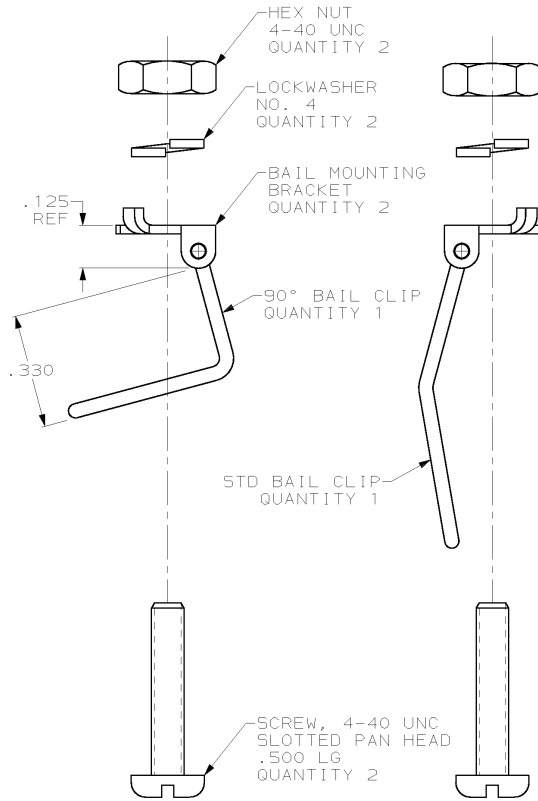
Address: A1208, Overseas Decoration Building, #122 Zhenhua RD., Futian, Shenzhen, China



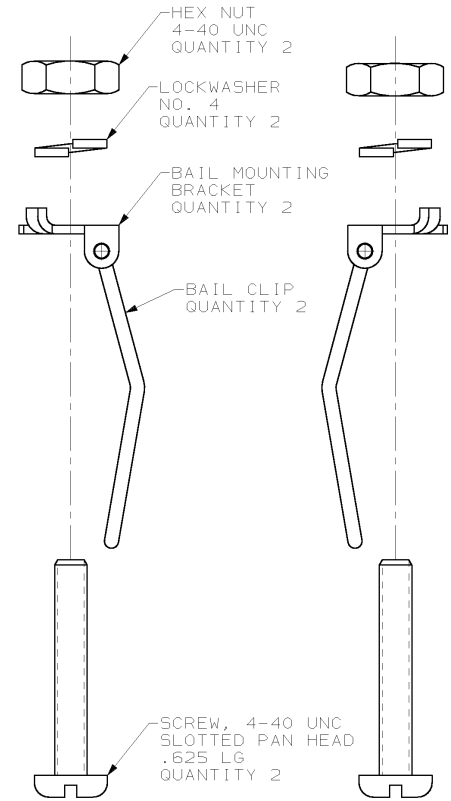
LOC	DIST	REVISIONS			
P	LTR	DESCRIPTION	DATE	OWN	APVD
AA	20	D	REVISED PER EC 0515-0213-03	26AUG03	DD RM



PN 552567-1



PN 552567-2



PN 552567-3

.625	-	2	552567-3
.500	1	1	552567-2
.500	-	2	552567-1
SCREW LENGTH	90° BAIL CLIP	STD BAIL CLIP	PART NUMBER

1. MATERIAL: BAIL CLIP - STAINLESS STEEL, PASSIVATED; ALL OTHERS PARTS ZINC OR CADMIUM PLATED STEEL.
2. PARTS SHIPPED LOOSE PIECE IN A BAG OR CONTAINER.

THIS DRAWING IS A CONTROLLED DOCUMENT.		DSN DL DRUMMOND 26AUG2003 CDR RP McCRAW 26AUG2003 AFVD RP McCRAW 26AUG2003	<b>AMP</b> TYCO Electronics Harrisburg, PA 17105-3608
DIMENSIONS: INCHES 0 PLC ± 1 PLC ± 2 PLC ± 3 PLC ± 4 PLC ± ANGLE ±	TOLERANCES UNLESS OTHERWISE SPECIFIED: ±.005 ±.010 ±.015 ±.020 ±.030 ±.040 ±.050 ±.060 ±.070 ±.080 ±.090 ±.100	PRODUCT SPEC APPLICATION SPEC WEIGHT CUSTOMER DRAWING	HARDWARE KIT, BAIL LOCK, PANEL MOUNTING, CHAMP SIZE CASE CODE (DRAWING NO) A200779-552567 RESTRICTED TO SCALE 4:1 SHEET 1 OF 1 REV D

552567