



Chipsmall Limited consists of a professional team with an average of over 10 year of expertise in the distribution of electronic components. Based in Hongkong, we have already established firm and mutual-benefit business relationships with customers from,Europe,America and south Asia,supplying obsolete and hard-to-find components to meet their specific needs.

With the principle of “Quality Parts,Customers Priority,Honest Operation,and Considerate Service”,our business mainly focus on the distribution of electronic components. Line cards we deal with include Microchip,ALPS,ROHM,Xilinx,Pulse,ON,Everlight and Freescale. Main products comprise IC,Modules,Potentiometer,IC Socket,Relay,Connector.Our parts cover such applications as commercial,industrial, and automotives areas.

We are looking forward to setting up business relationship with you and hope to provide you with the best service and solution. Let us make a better world for our industry!



Contact us

Tel: +86-755-8981 8866 Fax: +86-755-8427 6832

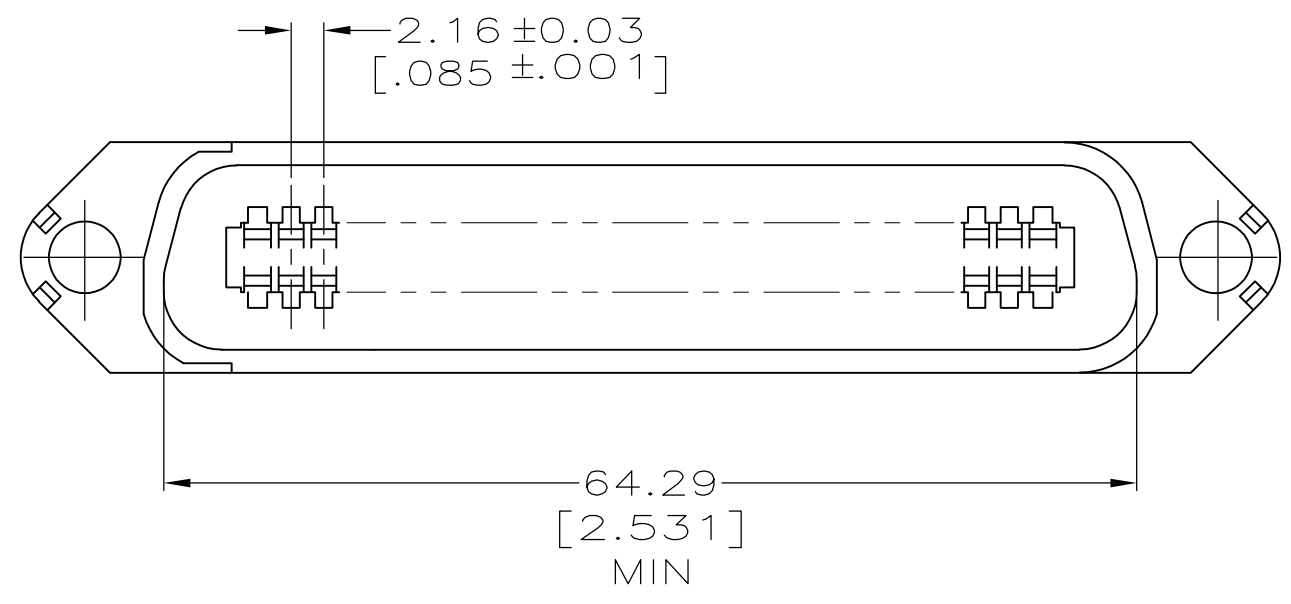
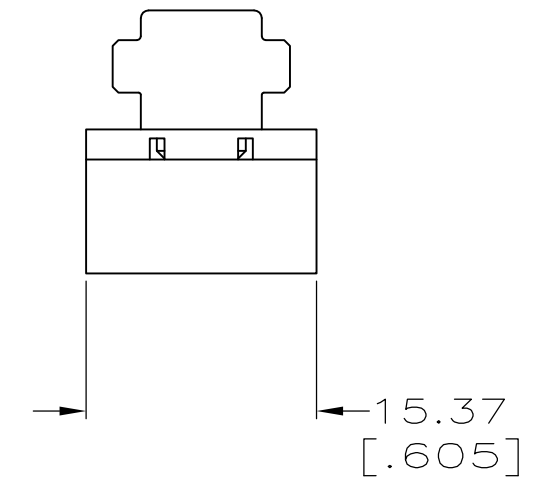
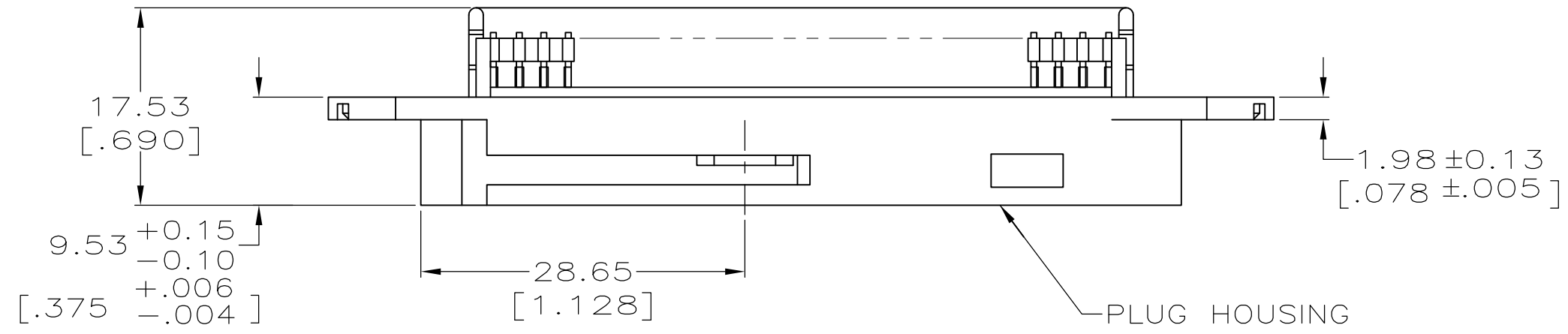
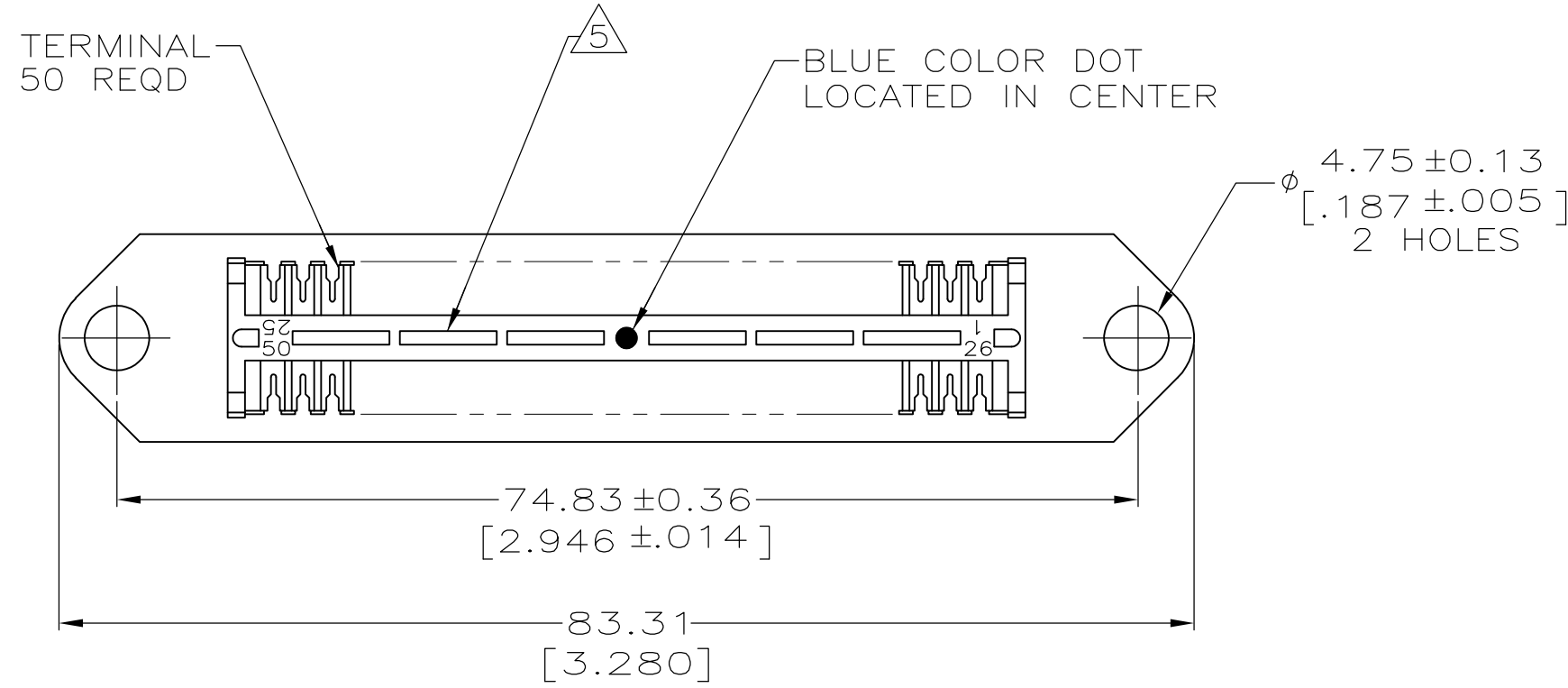
Email & Skype: info@chipsmall.com Web: www.chipsmall.com

Address: A1208, Overseas Decoration Building, #122 Zhenhua RD., Futian, Shenzhen, China



THIS DRAWING IS UNPUBLISHED. RELEASED FOR PUBLICATION
 © COPYRIGHT BY TYCO ELECTRONICS CORPORATION. ALL RIGHTS RESERVED.

LOC	DIST	REVISIONS					
GP	00	P	LTR	DESCRIPTION	DATE	DWN	APVD
		K		REVISED PER ECO-08-007327	05SEP08	BM	WM



1. THE CONTACT SURFACES OF THE TERMINALS ARE COATED WITH LUBRICANT.
 2. DIMENSIONS SHOWN ARE MAXIMUM UNLESS OTHERWISE SPECIFIED.
 3. MATERIAL: HOUSING - THERMOPLASTIC
 TERMINAL - HIGH STRENGTH COPPER ALLOY PLATED WITH $0.76\mu\text{m}$ $[.000030]$ MIN GOLD OR GOLD FLASH OVER PALLADIUM NICKEL PLATE, $0.76\mu\text{m}$ $[.000030]$ MIN TOTAL ON MATING SURFACE, OVER $1.27\mu\text{m}$ $[.000050]$ MIN NICKEL PLATING.
 4. WIRE SIZE: 24 & 26 SOLID OR 24 AWG 7 STRANDS OF COPPER CONDUCTORS. MAX INSULATION DIAMETER OF .045 IS ACCEPTABLE FOR MOST APPLICATIONS.
5. CORING MAY OR MAY NOT APPEAR AND IS AT THE DISCRETION OF AMP INCORPORATED.

GRAY	552686-2
BLACK	552686-1
COLOR	PART NUMBER

THIS DRAWING IS A CONTROLLED DOCUMENT.		DWN T. SPRINKLE/UTA 2-15-94	Tyco Electronics Corporation Harrisburg, PA 17105-3608	
DIMENSIONS: mm [INCHES]		CHK N. JONES 3-28-94	NAME ASSEMBLY, PLUG, 50 POSITION, B SLOT, (CHAMP-LOK, THIN FLANGE WITH .187 DIAMETER HOLES)	
TOLERANCES UNLESS OTHERWISE SPECIFIED:		APVD J. HARRIS 3-28-94	SIZE A2	CAGE CODE 00779
0 PLC ± - 1 PLC ± - 2 PLC ± - 3 PLC ± - 4 PLC ± - ANGLES ± -		PRODUCT SPEC -	DRAWING NO C=552686	RESTRICTED TO -
MATERIAL 3		FINISH 3	WEIGHT -	SCALE 2:1
CUSTOMER DRAWING			SHEET 1 OF 1	REV K