



Chipsmall Limited consists of a professional team with an average of over 10 year of expertise in the distribution of electronic components. Based in Hongkong, we have already established firm and mutual-benefit business relationships with customers from,Europe,America and south Asia,supplying obsolete and hard-to-find components to meet their specific needs.

With the principle of “Quality Parts,Customers Priority,Honest Operation,and Considerate Service”,our business mainly focus on the distribution of electronic components. Line cards we deal with include Microchip,ALPS,ROHM,Xilinx,Pulse,ON,Everlight and Freescale. Main products comprise IC,Modules,Potentiometer,IC Socket,Relay,Connector.Our parts cover such applications as commercial,industrial, and automotives areas.

We are looking forward to setting up business relationship with you and hope to provide you with the best service and solution. Let us make a better world for our industry!



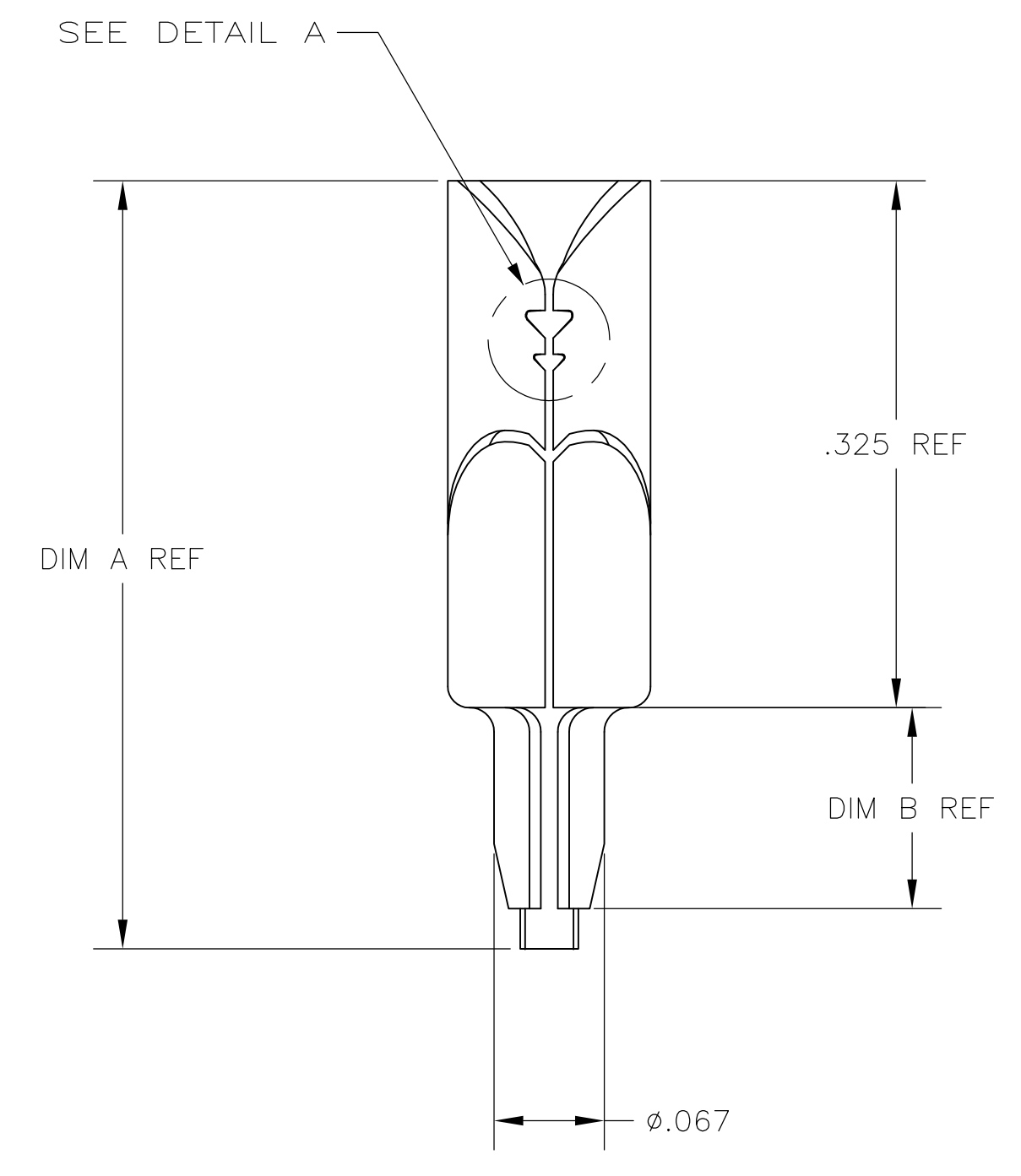
Contact us

Tel: +86-755-8981 8866 Fax: +86-755-8427 6832

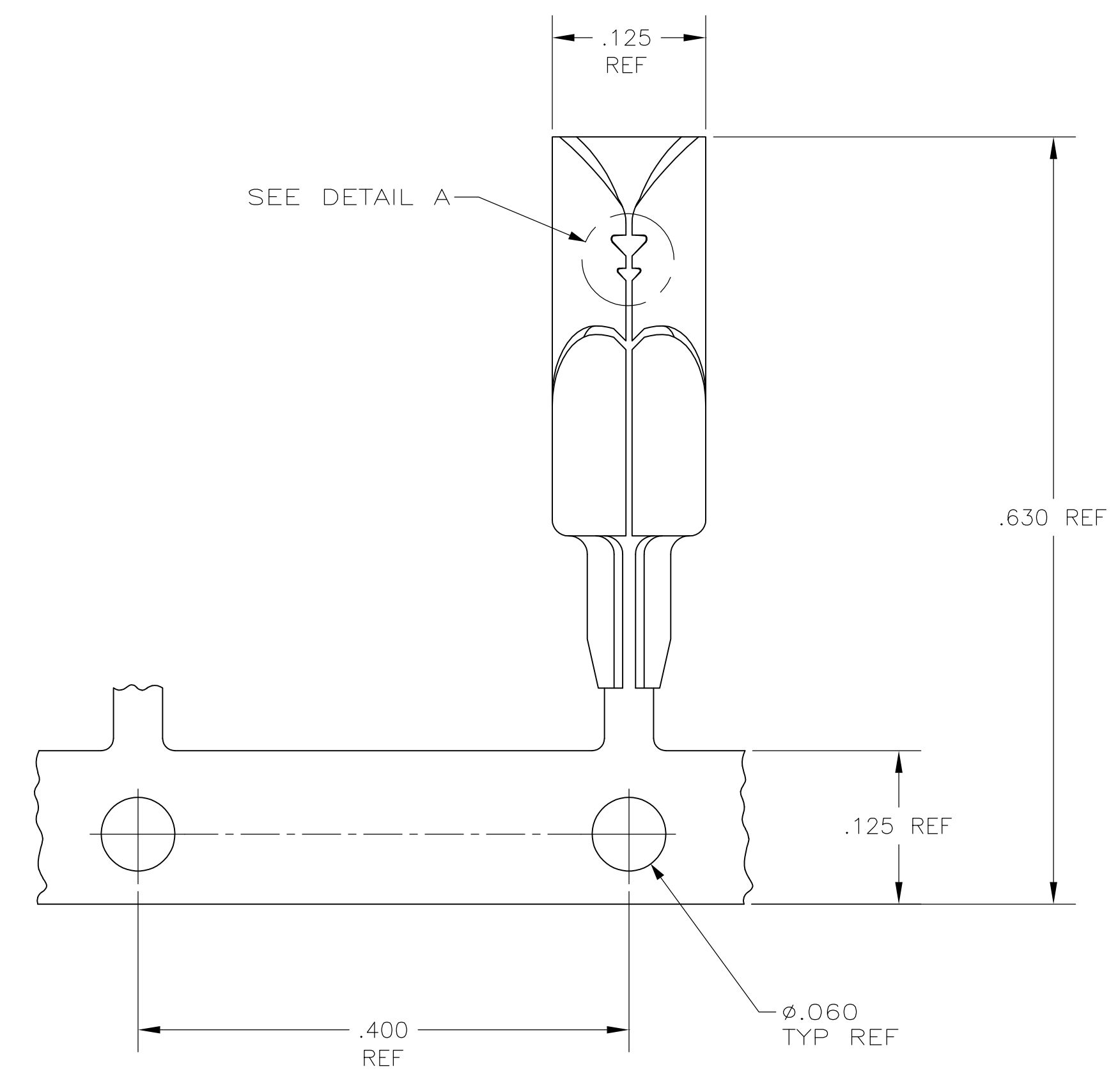
Email & Skype: info@chipsmall.com Web: www.chipsmall.com

Address: A1208, Overseas Decoration Building, #122 Zhenhua RD., Futian, Shenzhen, China

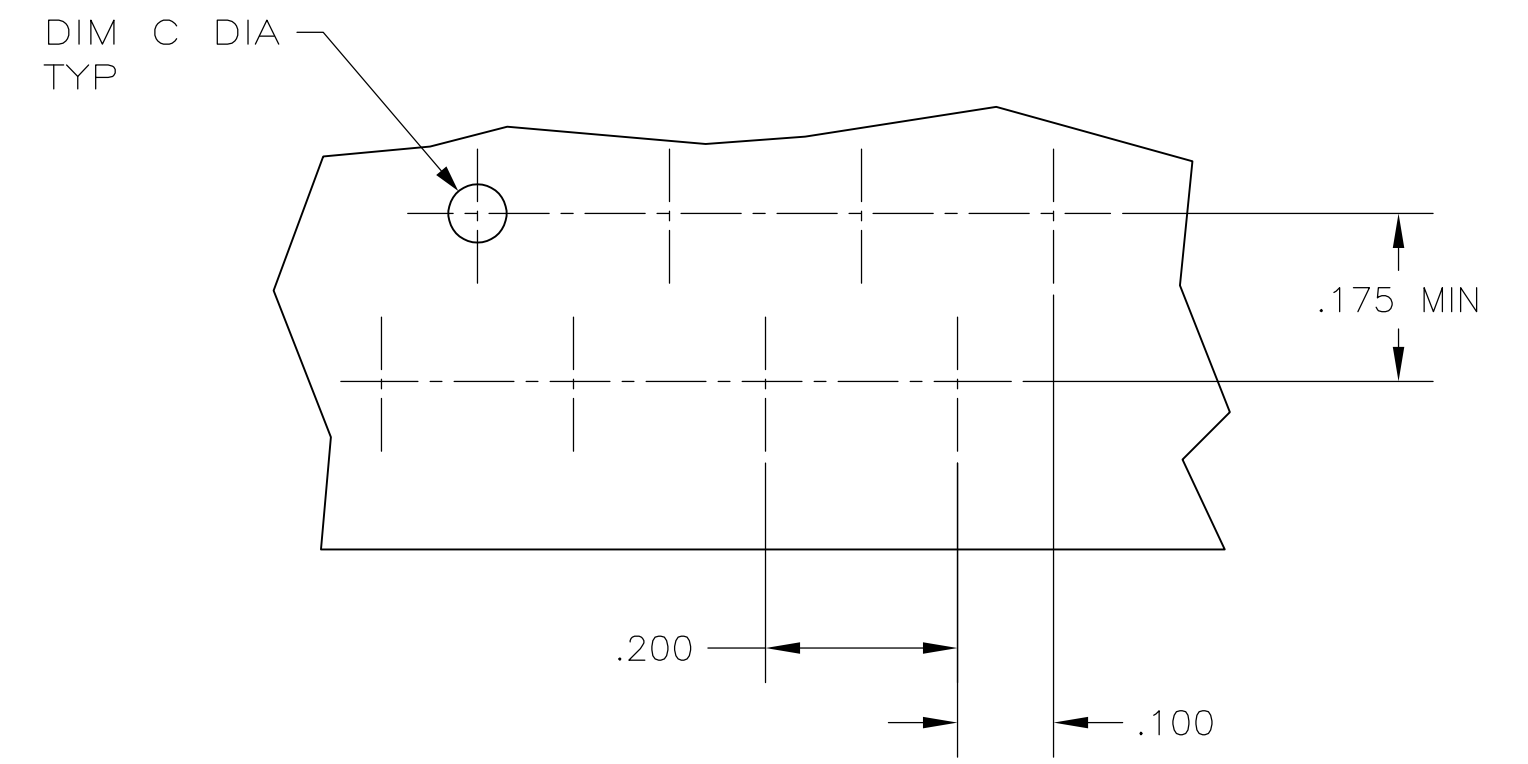




LOOSE PIECE
-1, -3, -4, -6, & -8 ONLY



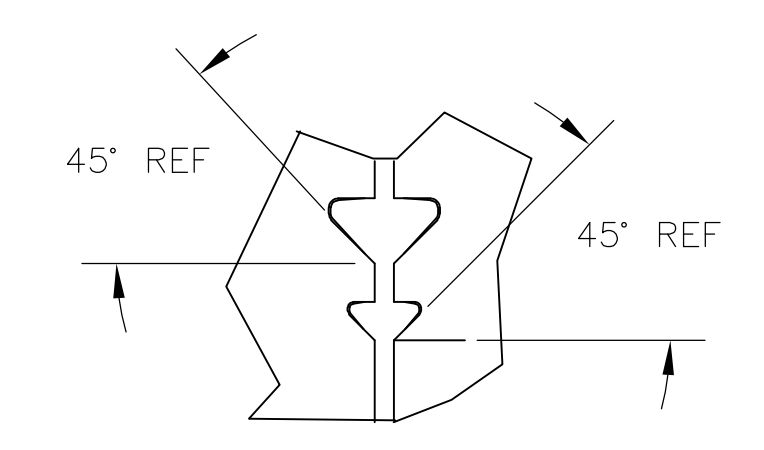
STRIP MOUNTED
-2, -5 & -7 ONLY



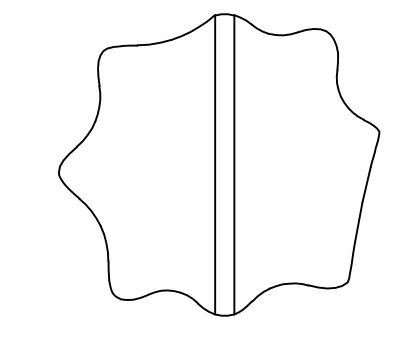
SUGGESTED PRINTED CIRCUIT BOARD
MOUNTING DIMENSIONS

OBSOLETE

- FOR USE IN PRINTED CIRCUIT BOARD, 3/64-1/8 THICK.
 - WIRE RANGE: 18-28 AWG (SOLID) OR (STRANDED) WIRE. MAX OUTSIDE DIA .086.
 - FURNISHED AS LOOSE PIECE OR STRIP MOUNTED BY SMALL END OF BARREL.
 - TERMINAL SHALL ACCOMMODATE ONE OR TWO WIRES OF THE SAME TYPE AND WITHIN PLUS OR MINUS ONE WIRE GAGE SIZE. EXAMPLE:
24 AWG MAY BE MIXED WITH EITHER 26 OR 22 AWG.
 - RECOGNIZED UNDER COMPONENT RECOGNITION PROGRAM OF UNDERWRITERS LABORATORIES INC., FILE NO. E-28476.
 - FOR 18-22 AWG WIRE USE INSERTION TOOL, PART NO.
- 8 WHEN USING TEFLON INSULATED WIRES USE 552699-1, -2 OR -3 ONLY.
 9 WHEN USING 28 AWG SOLID, TWO WIRES PER TERMINAL, USE 552699-4, -5, -6, -7 OR -8 ONLY.
 10 PRE PRODUCTION FASR REQUIRED



DETAIL A
FOR -1, -2, -3 ONLY



DETAIL A
FOR -4, -5, -6, ONLY

TERMINAL INSERTION TOOL (REF)	PUNCHED HOLE DIM. C	DRILLED HOLE DIM. C	DIM. B	DIM. A	PC BOARD THICKNESS	DESCRIPTION	PART NO.
1-453973-4				.458	.062-.094	STRIP MOUNTED, REVERSE REELED	1-552699-0
2-453973-1				.483	.094-.125	SUPERSEDED BY -4	552699-6
230549-1				.483	.062-.125	SAME AS -2 EXCEPT AS SHOWN IN DETAIL A	552699-5
1-453973-4				.458	.062-.094	SAME AS -1 EXCEPT AS SHOWN IN DETAIL A	552699-4
2-453973-1				.483	.094-.125	SUPERSEDED BY -1	552699-3
230549-1	.060-.064	.061-.065	.118	.458	.062-.094	AS SHOWN, STRIP MOUNTED	552699-2
230549-1				.458	.062-.094	AS SHOWN, LOOSE PIECE	552699-1

THIS DRAWING IS A CONTROLLED DOCUMENT.

DIMENSIONS: INCHES
 TOLERANCES UNLESS OTHERWISE SPECIFIED:
 0 PL ±
 1 PL ±
 2 PL ±
 3 PL ±
 4 PL ±
 ANGLES ±

MATERIAL: PHOS BRONZE
 FINISH: PRE-TINNED

CUSTOMER DRAWING
 SCALE: 1:1
 SHEET: 1 OF 1
 REV: V4

STC TE Connectivity
 NAME: PETE DESANTIS
 PRODUCT SPEC: TERMINAL, AMP BARREL, .125 DIA
 SIZE: A1
 CAGE CODE: 00779
 DRAWING NO: 552699