



Chipsmall Limited consists of a professional team with an average of over 10 year of expertise in the distribution of electronic components. Based in Hongkong, we have already established firm and mutual-benefit business relationships with customers from,Europe,America and south Asia,supplying obsolete and hard-to-find components to meet their specific needs.

With the principle of "Quality Parts,Customers Priority,Honest Operation,and Considerate Service",our business mainly focus on the distribution of electronic components. Line cards we deal with include Microchip,ALPS,ROHM,Xilinx,Pulse,ON,Everlight and Freescale. Main products comprise IC,Modules,Potentiometer,IC Socket,Relay,Connector.Our parts cover such applications as commercial,industrial, and automotives areas.

We are looking forward to setting up business relationship with you and hope to provide you with the best service and solution. Let us make a better world for our industry!



Contact us

Tel: +86-755-8981 8866 Fax: +86-755-8427 6832

Email & Skype: info@chipsmall.com Web: www.chipsmall.com

Address: A1208, Overseas Decoration Building, #122 Zhenhua RD., Futian, Shenzhen, China

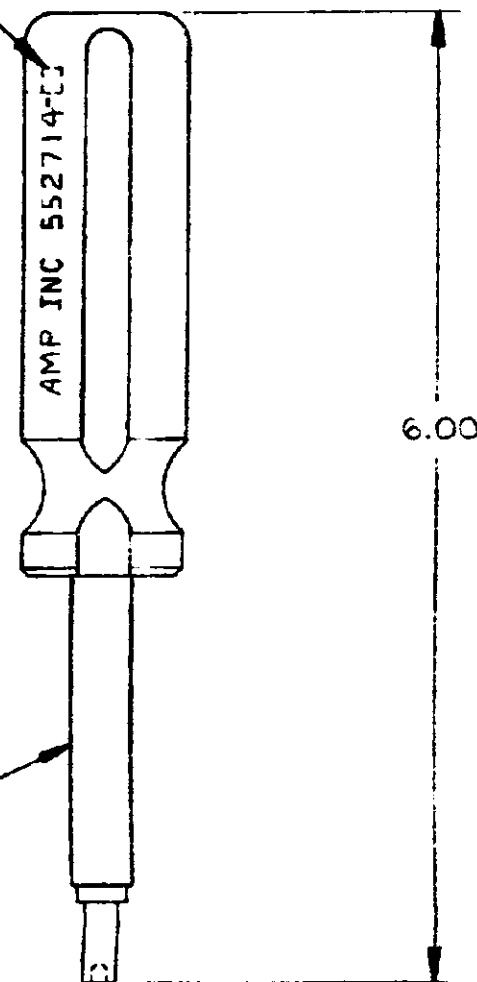


DRAWING MADE IN THIRD ANGLE PROJECTION

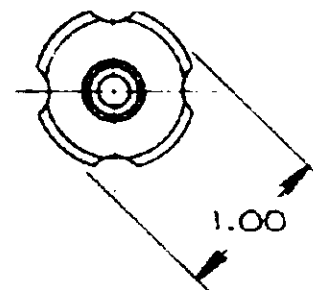
© COPYRIGHT 1979 BY AMP INCORPORATED, HARRISBURG, PA. ALL INTERNATIONAL RIGHTS RESERVED. AMP INCORPORATED PRODUCTS COVERED BY U. S. AND FOREIGN PATENTS AND/OR PATENTS PENDING.

REVISIONS				DATE	APPROVED
P	F	ZONE	LTR	DESCRIPTION	
6				REV PER ECN AA-1556	3/19/82 MBS

PART NUMBER
(SEE TABLE)



COLOR CODED
HEAT-SHRINK
TUBING



1. MATERIAL: HANDLE - CELLULOSIC - (AMBER).
SHANK & PIN - CARBON STEEL.
2. ALL DIMENSIONS SHOWN ARE FOR REFERENCE ONLY,
UNLESS OTHERWISE SPECIFIED.

WAS 1222-77-1 THRU-4 1-6

552714

COLOR CODE	WIRE RANGE	FOR USE WITH TERMINAL NO.	PART NO
GREEN	26-28 AWG	553015-1 & -2	552714-5
BLUE	22-28 AWG	552967-1 & -2	552714-4
WHITE	24-28 AWG	552699-1 THRU-6	552714-3
RED	18-24 AWG	552770-1 & -2	552714-2
YELLOW	18-22 AWG	552699-1 THRU-6	552714-1

UNLESS OTHERWISE SPECIFIED DIMENSIONS ARE IN INCHES. TOLERANCES ON: DECIMALS ± .004 ANGLES ± .004	CONTRACT NO	AMP INCORPORATED Harrisburg, Pa
	DR 10-4-79 CHK <i>[Signature]</i> APPD <i>[Signature]</i> 10/5/79 APPD <i>[Signature]</i> 11/15/79	
MATERIAL △	DSGN APPD	SIZE CODE IDENT NO DRAWING NO C 00779 552714
FINISH —	OTHER APPD <i>[Signature]</i> 12/15/79	SCALE 1/1 SHEET 1 OF 1