



Chipsmall Limited consists of a professional team with an average of over 10 year of expertise in the distribution of electronic components. Based in Hongkong, we have already established firm and mutual-benefit business relationships with customers from,Europe,America and south Asia,supplying obsolete and hard-to-find components to meet their specific needs.

With the principle of “Quality Parts,Customers Priority,Honest Operation,and Considerate Service”,our business mainly focus on the distribution of electronic components. Line cards we deal with include Microchip,ALPS,ROHM,Xilinx,Pulse,ON,Everlight and Freescale. Main products comprise IC,Modules,Potentiometer,IC Socket,Relay,Connector.Our parts cover such applications as commercial,industrial, and automotives areas.

We are looking forward to setting up business relationship with you and hope to provide you with the best service and solution. Let us make a better world for our industry!



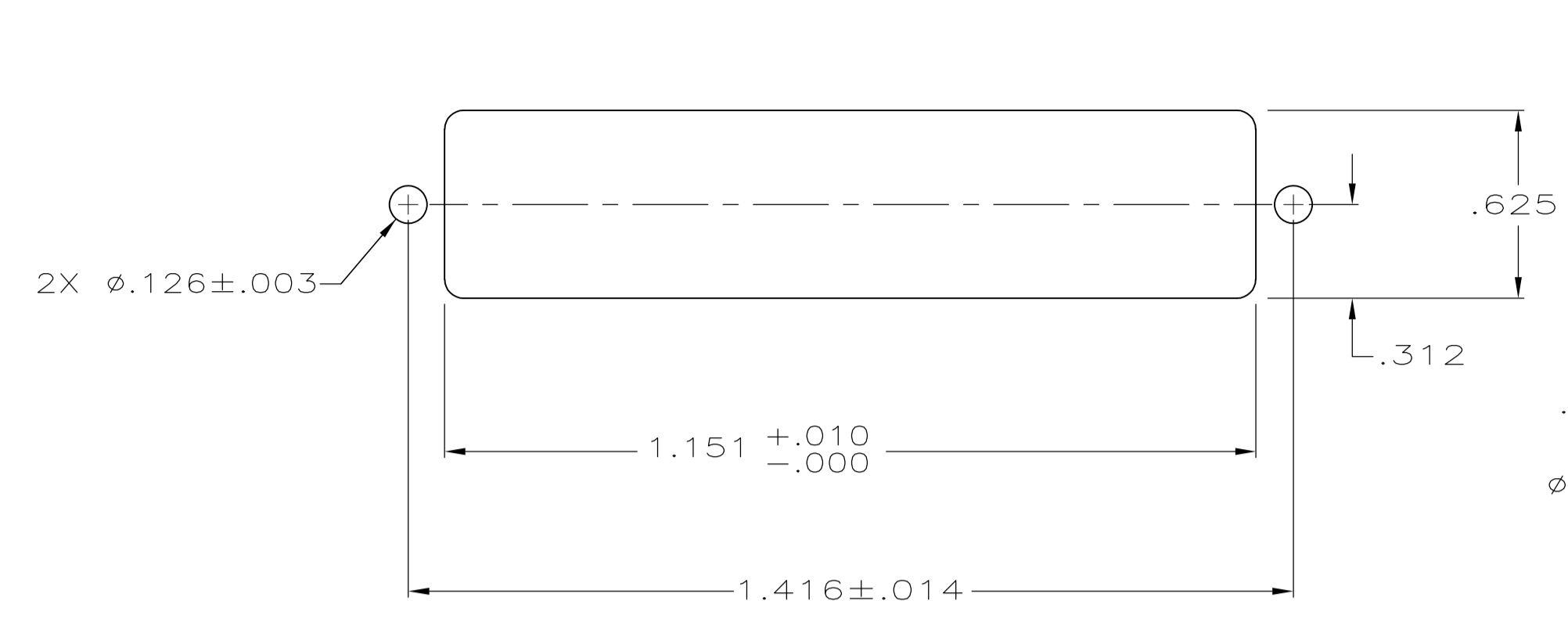
Contact us

Tel: +86-755-8981 8866 Fax: +86-755-8427 6832

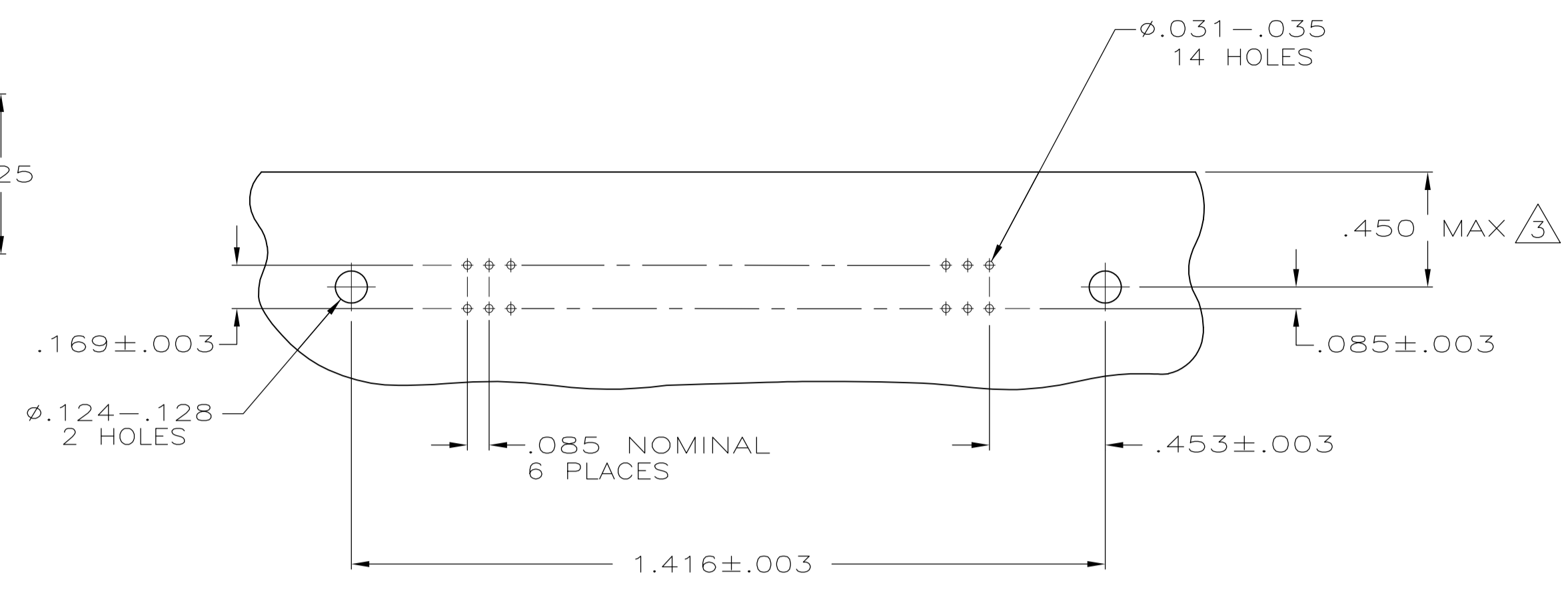
Email & Skype: info@chipsmall.com Web: www.chipsmall.com

Address: A1208, Overseas Decoration Building, #122 Zhenhua RD., Futian, Shenzhen, China



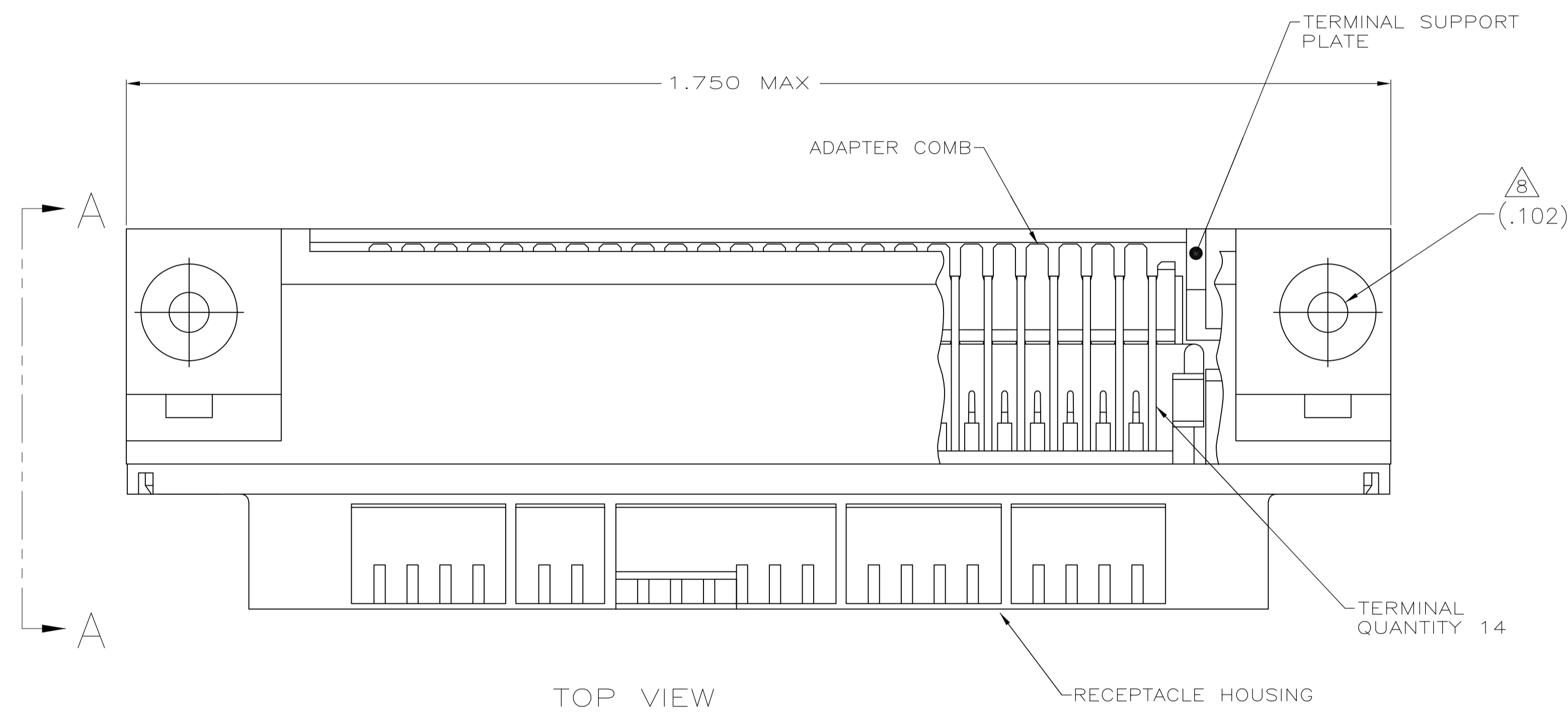


SUGGESTED REAR PANEL MOUNTING CUTOUT DIMENSIONS
 SCALE 2:1

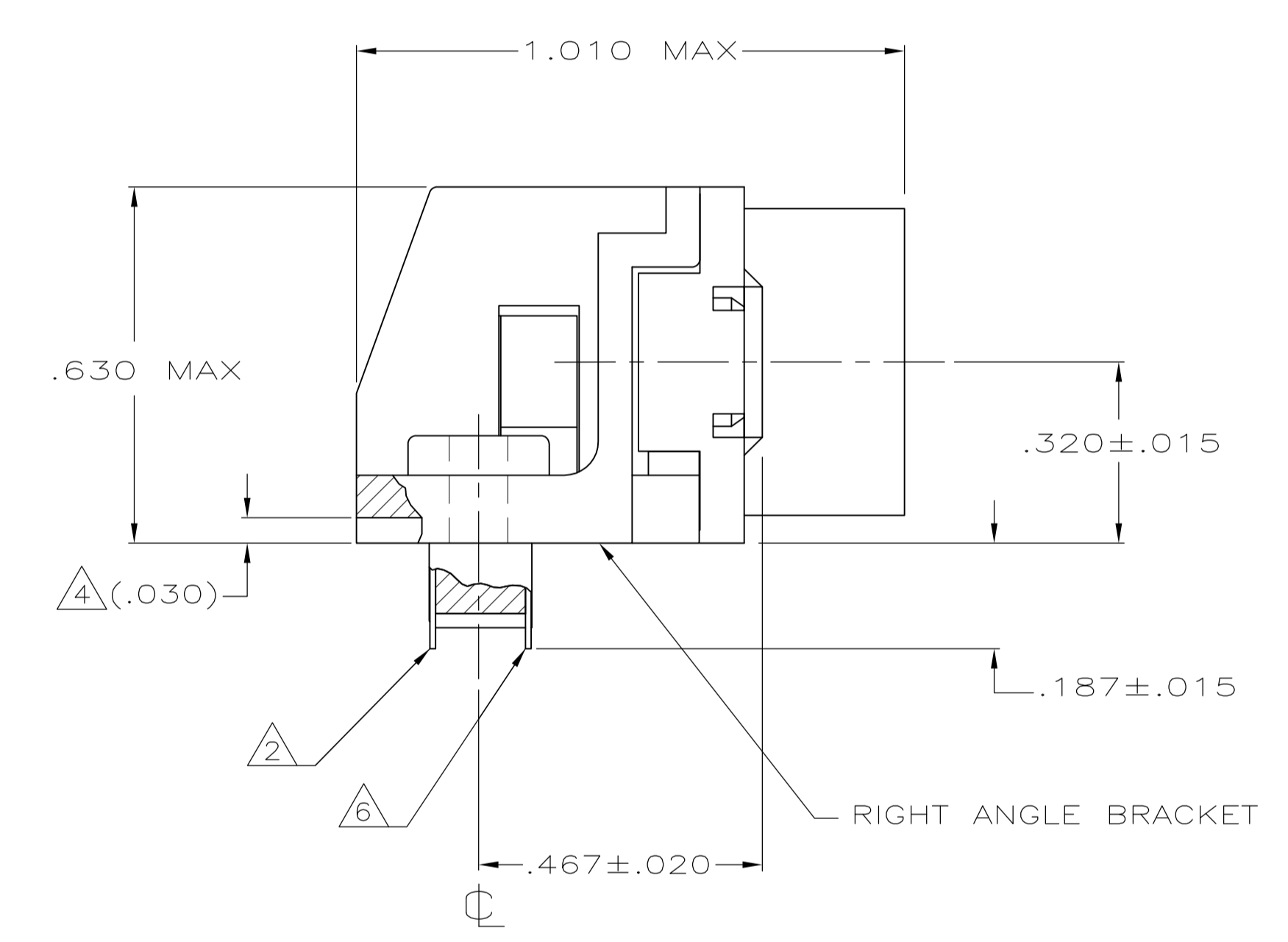


SUGGESTED PRINTED CIRCUIT BOARD MOUNTING DIMENSIONS
 SCALE 2:1

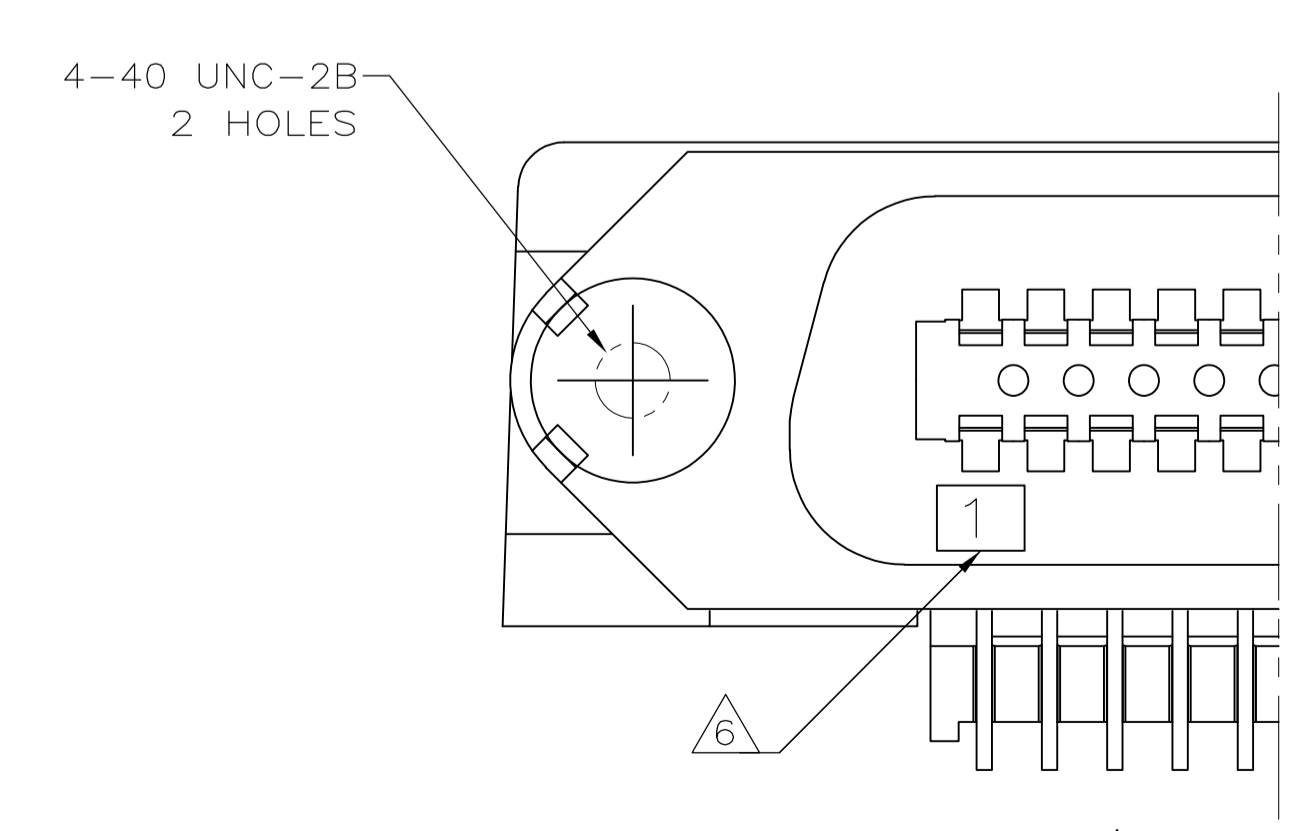
- 1 MATERIAL: HOUSING, BRACKET, PLATE & COMB - THERMOPLASTIC, BLACK, 94V-0 RATED. TERMINALS - HIGH STRENGTH COPPER ALLOY PLATED WITH EITHER .000030 MIN GOLD PLATE OR GOLD FLASH OVER PALLADIUM NICKEL PLATE .000030 MIN TOTAL ON MATING SURFACE. .000120 MIN TIN-LEAD PLATE ON TAILS. ALL OVER .000050 MIN NICKEL UNDERPLATE OVER ENTIRE TERMINAL.
- 2 TERMINAL 1 IS LOCATED IN THIS ROW FOR STANDARD ORIENTATION, FOR 552738-1 ONLY.
- 3 MAXIMUM DIMENSION FOR REAR PANEL MOUNTING.
- 4 TERMINAL SUPPORT PLATE CLEARANCE FOR TERMINAL STRAIN RELIEF AND FLUX REMOVAL.
- 5 MAXIMUM PANEL THICKNESS: .062.
- 6 TERMINAL 1 IS LOCATED IN THIS ROW FOR REVERSE ORIENTATION, 552738-2 ONLY.
- 7 DETAILS "A" AND "B" ARE VIEWED FROM MATING SIDE OF RECEPTACLE ASSEMBLY.
- 8 FOR USE WITH A NO.4 BT TYPE SELF-TAPPING SCREW.



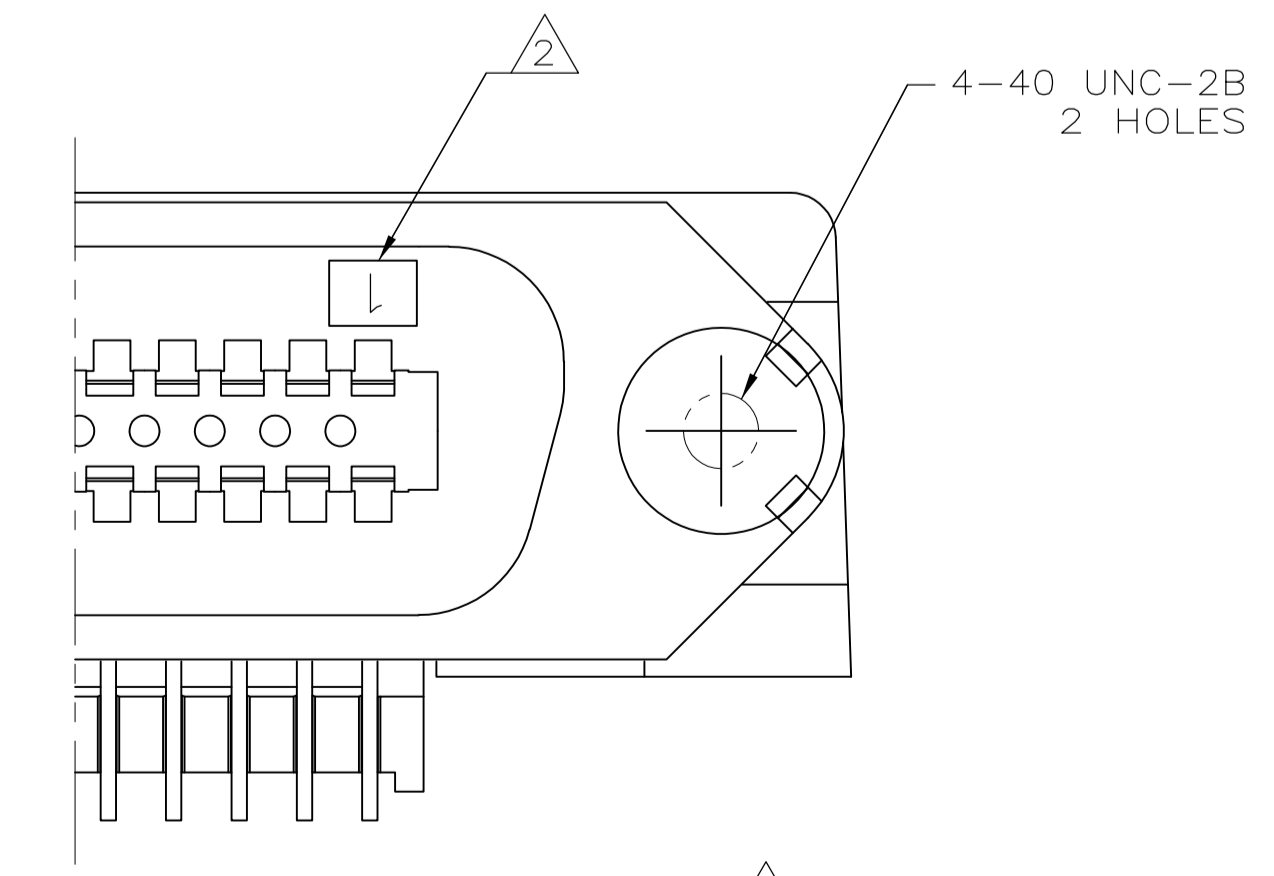
TOP VIEW



SIDE VIEW A-A



DETAIL B REVERSE ORIENTATION



DETAIL A STANDARD ORIENTATION

SELF TAPPING	SEE DETAIL B	552738-2
SELF TAPPING	SEE DETAIL A	552738-1
TYPE OF MOUNTING	DESCRIPTION	PART NUMBER

THIS DRAWING IS A CONTROLLED DOCUMENT.		DIN 15AUG05		Tyco Electronics Corporation	
DIMENSIONS: INCHES		TOLERANCES UNLESS OTHERWISE SPECIFIED:		Tyco Electronics Corporation Harrisburg, PA 17105-3608	
0 PL	± .005	APPROVED: M. WALSLEY		NAME: RECEPTACLE ASSEMBLY, 14 POSITION, RIGHT ANGLE, PRINTED CIRCUIT BOARD, (CHAMP-LOK, SELF TAPPING)	
1 PL	± .005	DRAWING NO: A100779		RESTRICTED TO: ---	
2 PL	± .005	DRAWING NO: C=552738		SCALE: 4:1 SHEET: 1 OF 1 REV: M	
3 PL	± .005	CUSTOMER DRAWING			
4 PL	± .005				
ANGLES	± .005				
MATERIAL	FINISH				