



Chipsmall Limited consists of a professional team with an average of over 10 year of expertise in the distribution of electronic components. Based in Hongkong, we have already established firm and mutual-benefit business relationships with customers from,Europe,America and south Asia,supplying obsolete and hard-to-find components to meet their specific needs.

With the principle of “Quality Parts,Customers Priority,Honest Operation,and Considerate Service”,our business mainly focus on the distribution of electronic components. Line cards we deal with include Microchip,ALPS,ROHM,Xilinx,Pulse,ON,Everlight and Freescale. Main products comprise IC,Modules,Potentiometer,IC Socket,Relay,Connector.Our parts cover such applications as commercial,industrial, and automotives areas.

We are looking forward to setting up business relationship with you and hope to provide you with the best service and solution. Let us make a better world for our industry!



## Contact us

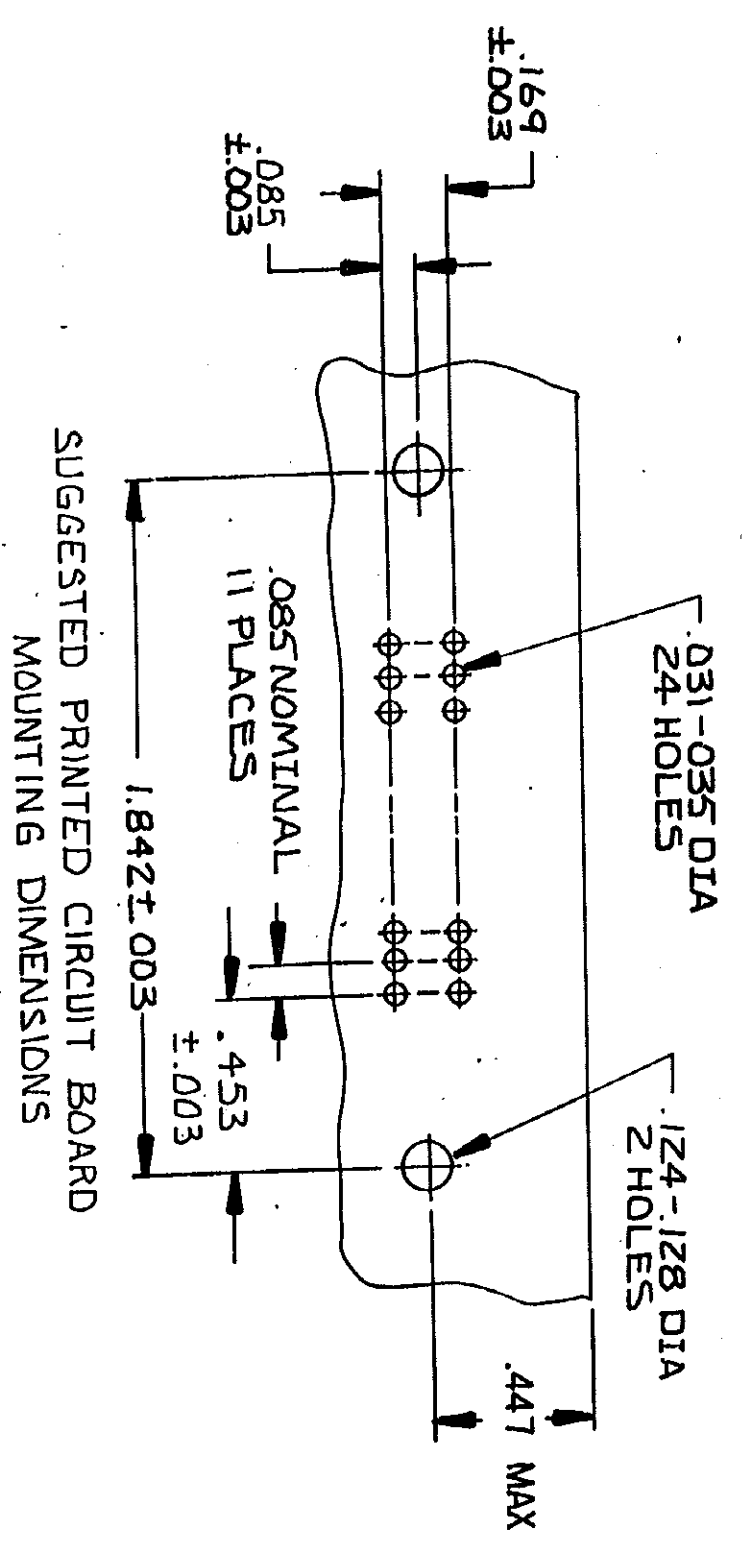
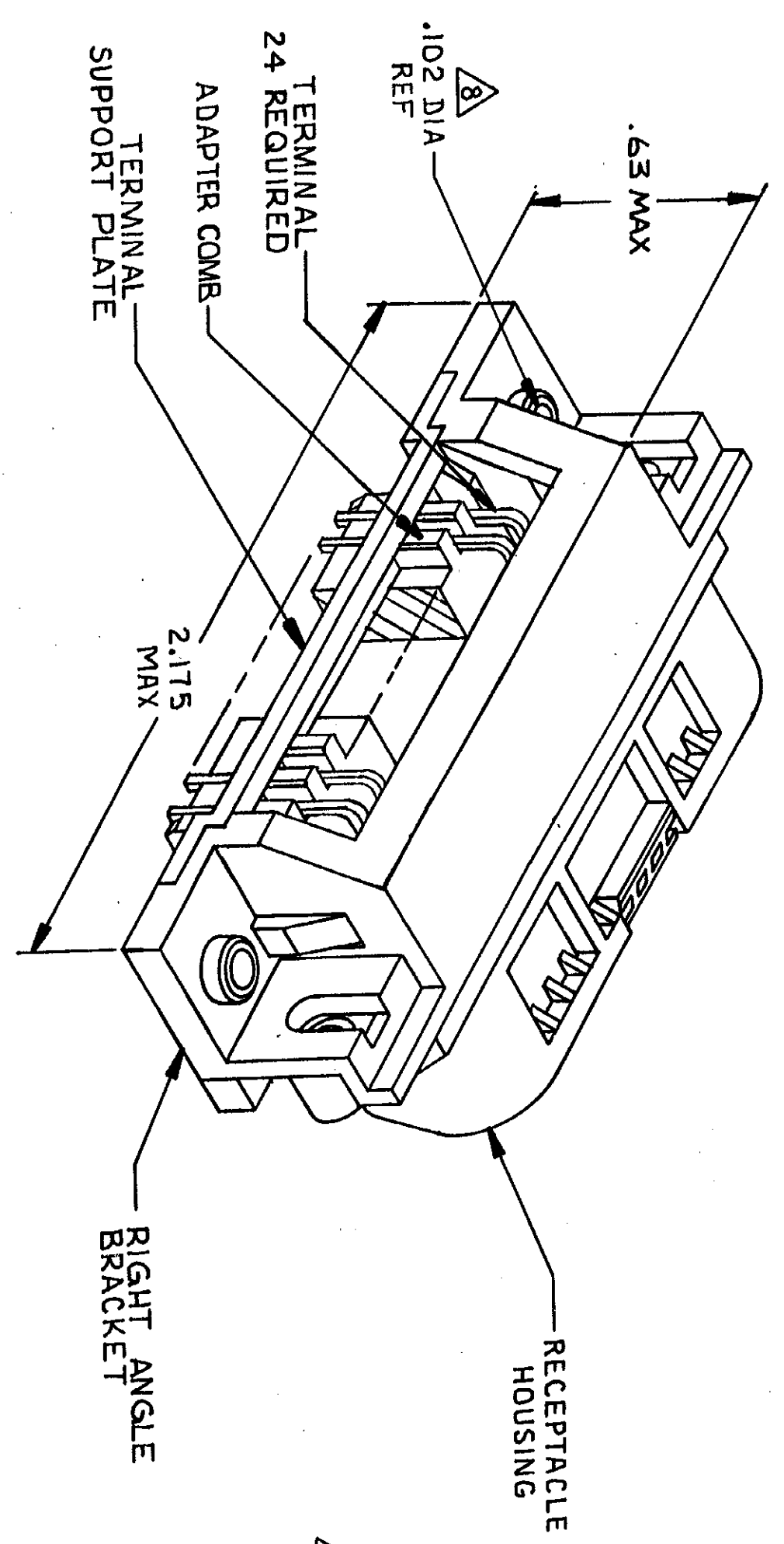
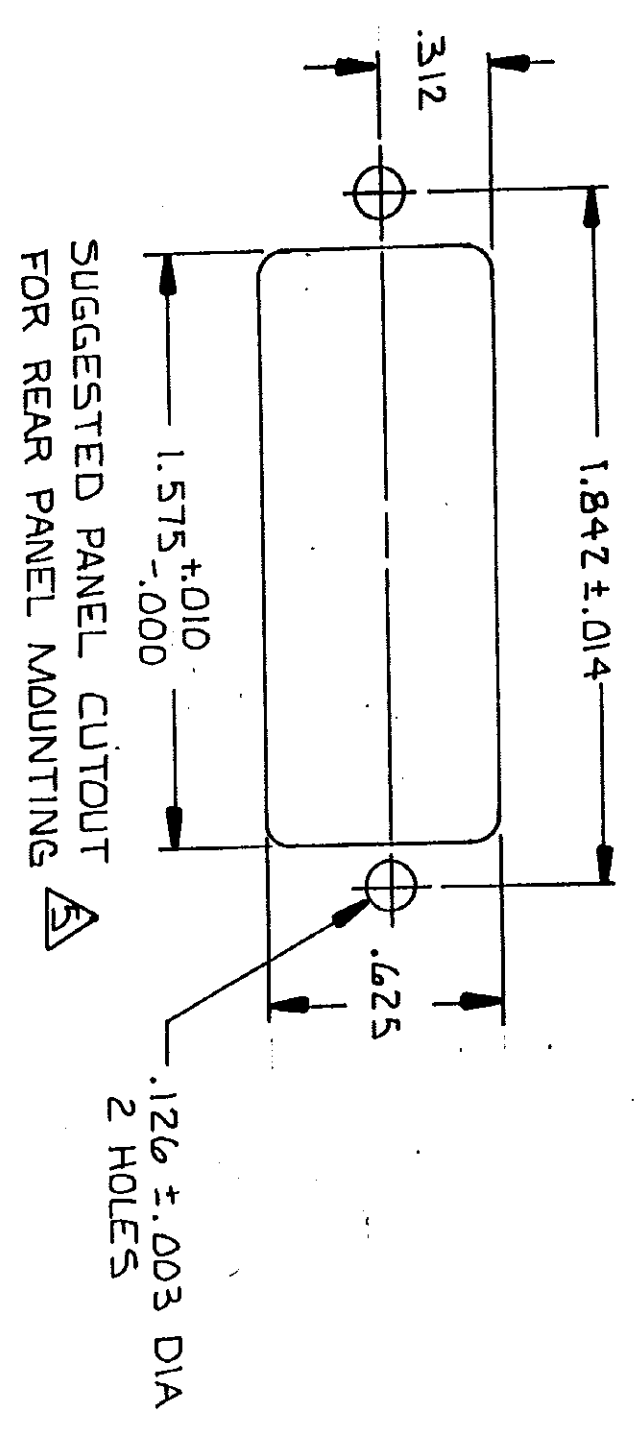
Tel: +86-755-8981 8866 Fax: +86-755-8427 6832

Email & Skype: info@chipsmall.com Web: www.chipsmall.com

Address: A1208, Overseas Decoration Building, #122 Zhenhua RD., Futian, Shenzhen, China

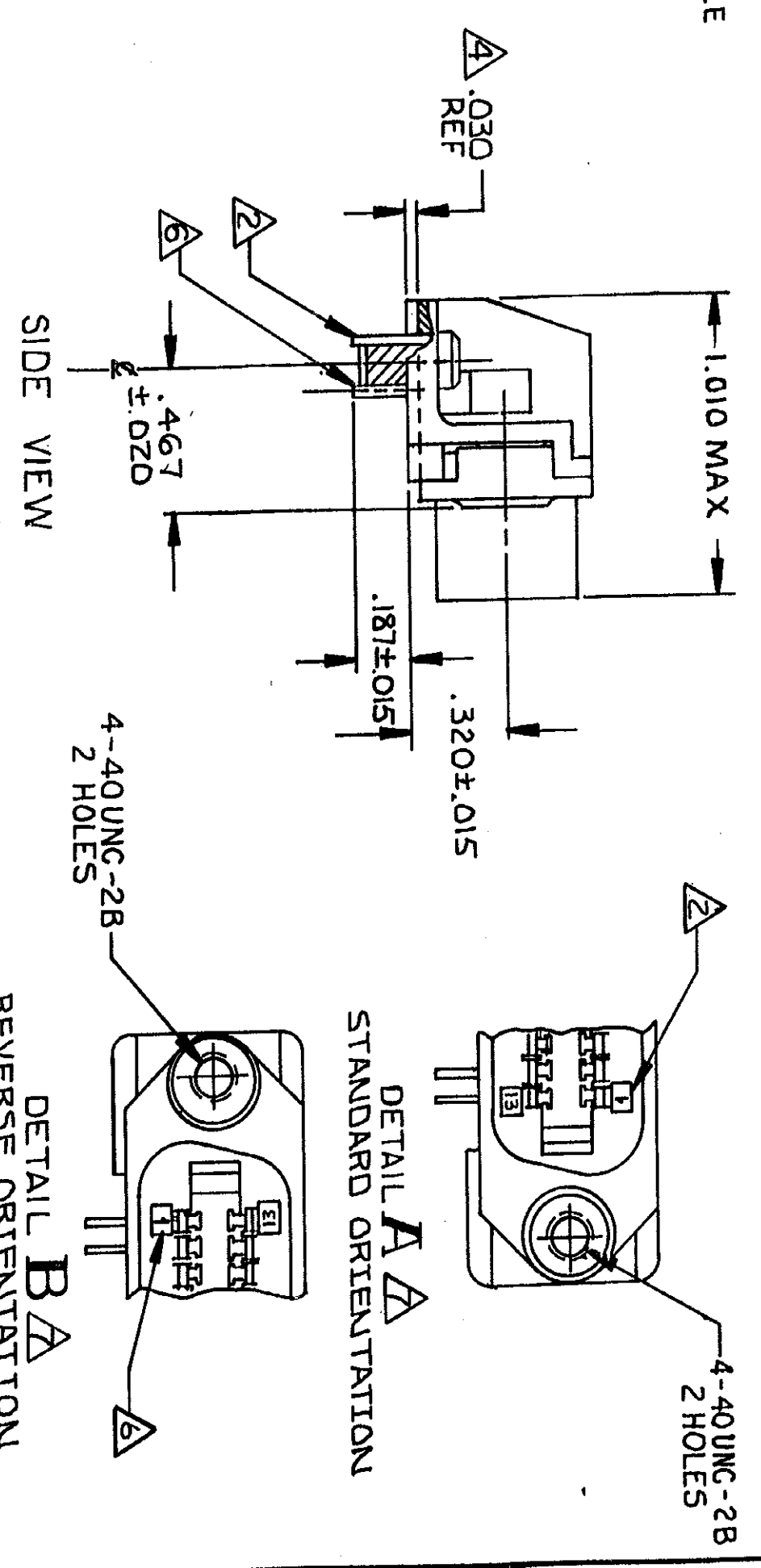


REVISIONS		DATE	APPROVED
P	ZONE/LTR	DESCRIPTION	
N		OBSOLETE-3, 4, FCN AA-5985	2/2/82 N.L.



SUGGESTED PRINTED CIRCUIT BOARD MOUNTING DIMENSIONS

- △ MATERIAL: HOUSING BRACKET PLATE AND COMB-THERMOPLASTIC (BLACK) 94V-0 RATED. TERMINALS-TAILST-TIN LEAD OVER NICKEL PLATED HIGH STRENGTH COPPER ALLOY. MATING SURFACE-LOCALIZED GOLD OVER NICKEL PLATED HIGH STRENGTH COPPER ALLOY.
- △ TERMINAL 1 LOCATED IN THIS ROW FOR 552740-1.
- △ TERMINAL SUPPORT PLATE CLEARANCE FOR TERMINAL STRAIN RELIEF AND FLUX REMOVAL.
- △ PANEL THICKNESS RANGE: .062.
- △ TERMINAL 1 LOCATED IN THIS ROW FOR 552740-2.
- △ DETAILS A & B ARE VIEWED FROM MATING, SIDE OF RECEPTACLE ASSEMBLY.
- △ FOR USE WITH A NO. 4 BT TYPE SELF-TAPPING SCREW.



UNLESS OTHERWISE SPECIFIED DIMENSIONS ARE IN INCHES. TOLERANCES ON: DECIMALS ± .005 ANGLES		CONTRACT NO.		TYPE OF MOUNTING		DESCRIPTION		PART NO.	
MATERIAL		DR. Q. Holt 2-11-82		SELF-TAPPING △		SEE DETAIL B △		552740-2	
FINISH		CHK. MD Jones 2-25-82		SEE DETAIL A △		SEE DETAIL A △		552740-1	
APPROVED: [Signature]		NAME: ASSEMBLY, RECEPTACLE, 24 POSITION, RIGHT ANGLE, PRINTED CIRCUIT BOARD (CHAMP-LOK, THRU-BOLT & SELF-TAPPING)		AMP		AMP INCORPORATED		HARRISBURG, PA. 17105	
DESIGN APPD: [Signature]		SIZE: FSCM NO. 00779		DRAWING NO. 552740		SCALE: 2/1		SHEET 1 OF 1	

552740