



Chipsmall Limited consists of a professional team with an average of over 10 year of expertise in the distribution of electronic components. Based in Hongkong, we have already established firm and mutual-benefit business relationships with customers from,Europe,America and south Asia,supplying obsolete and hard-to-find components to meet their specific needs.

With the principle of “Quality Parts,Customers Priority,Honest Operation,and Considerate Service”,our business mainly focus on the distribution of electronic components. Line cards we deal with include Microchip,ALPS,ROHM,Xilinx,Pulse,ON,Everlight and Freescale. Main products comprise IC,Modules,Potentiometer,IC Socket,Relay,Connector.Our parts cover such applications as commercial,industrial, and automotives areas.

We are looking forward to setting up business relationship with you and hope to provide you with the best service and solution. Let us make a better world for our industry!



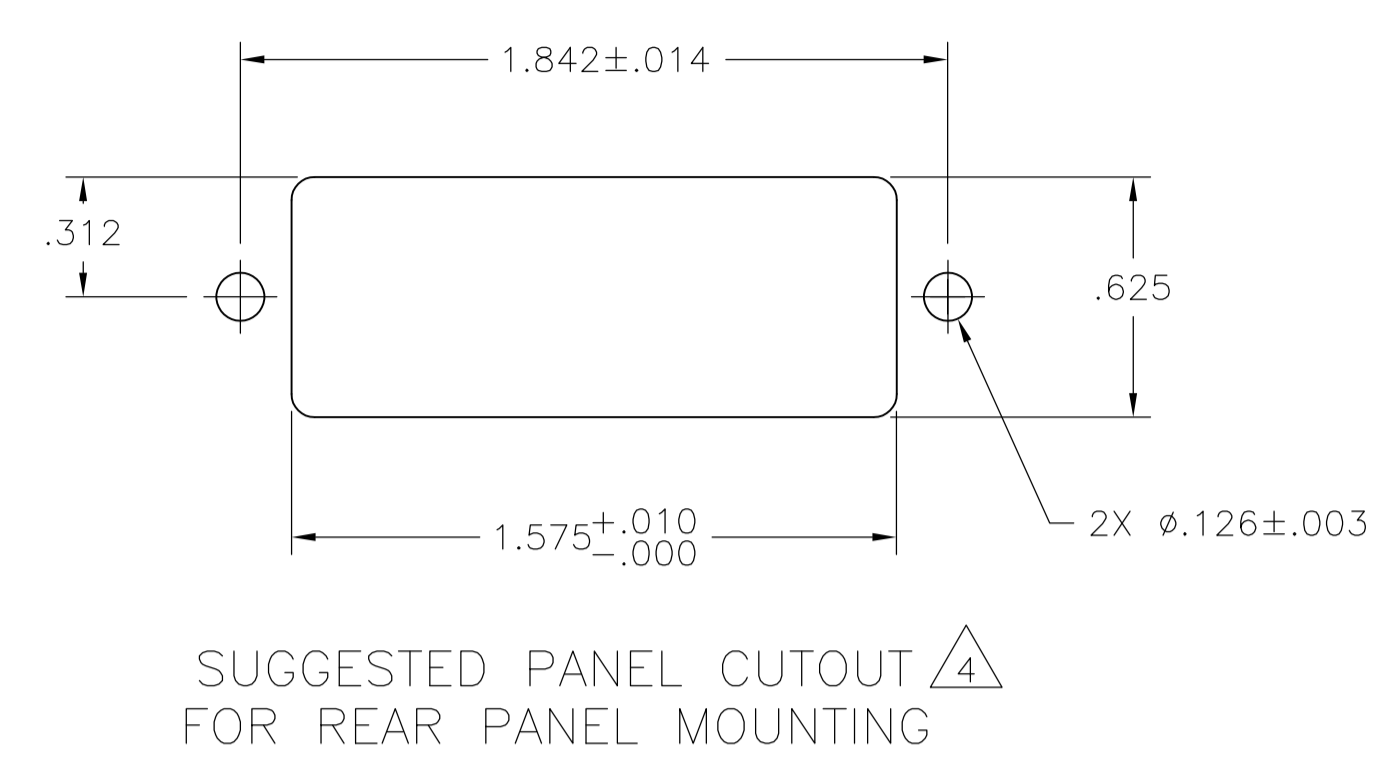
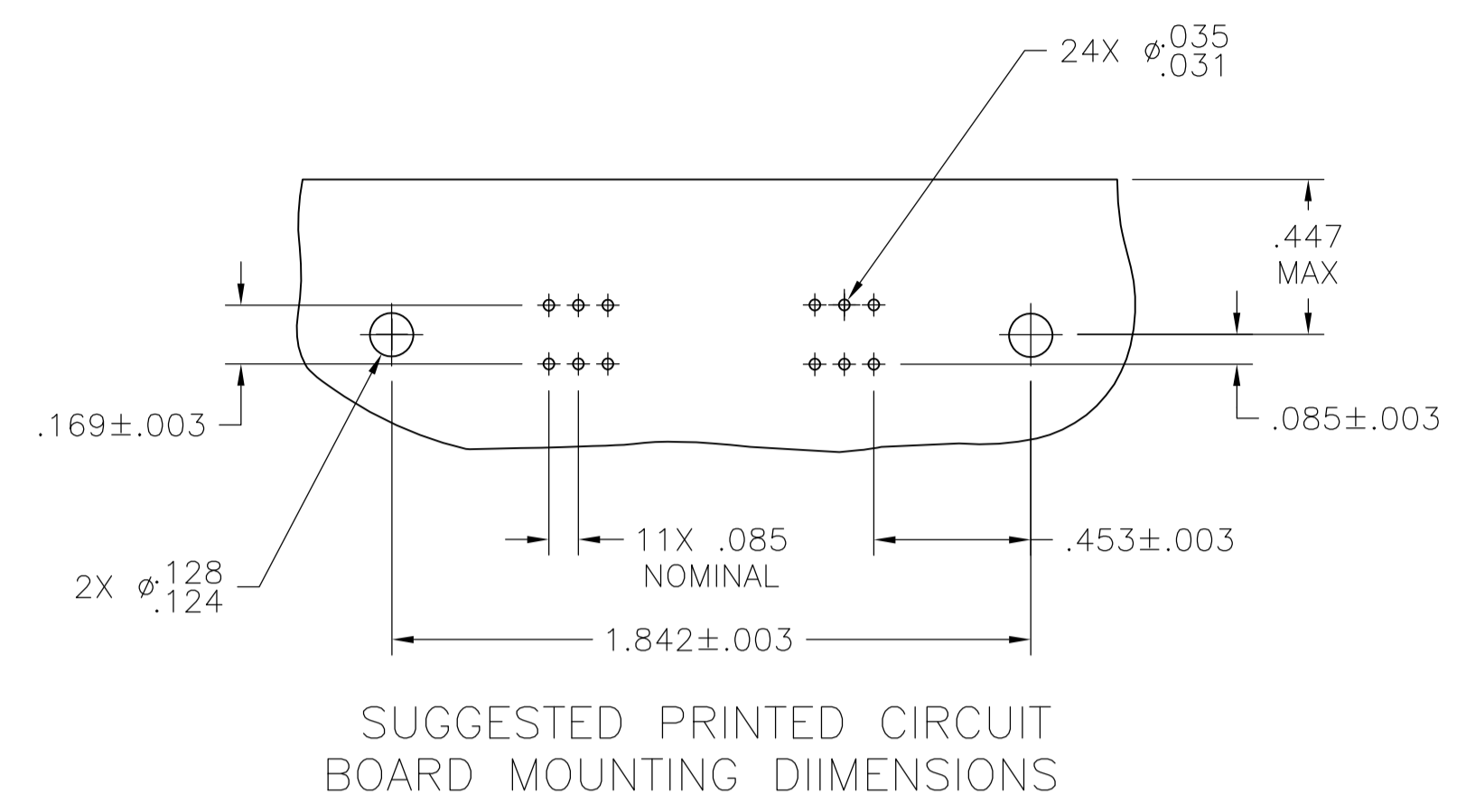
Contact us

Tel: +86-755-8981 8866 Fax: +86-755-8427 6832

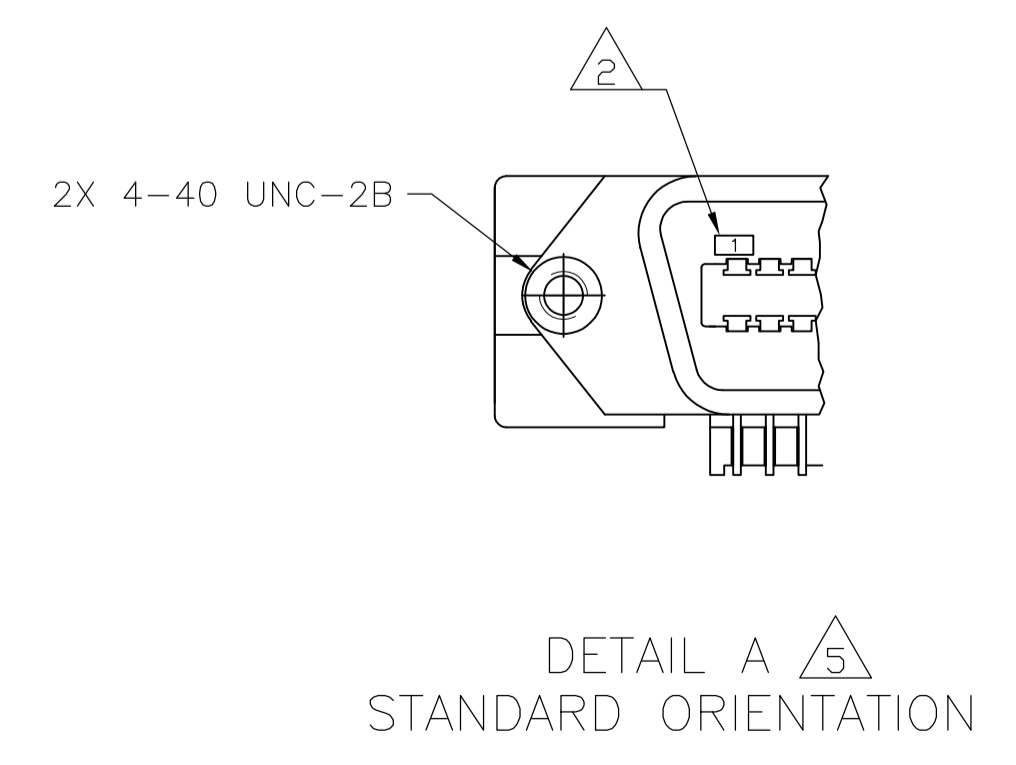
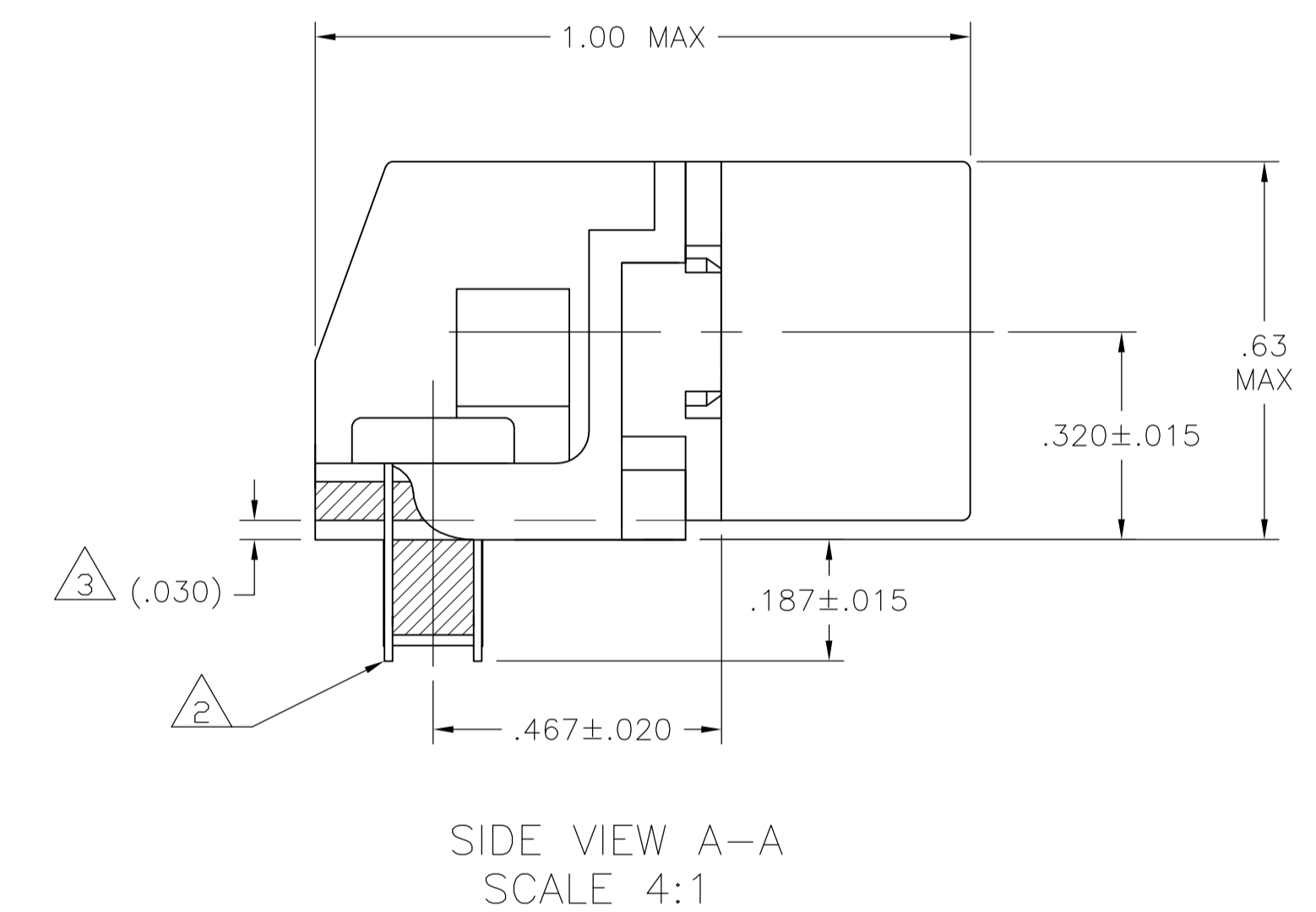
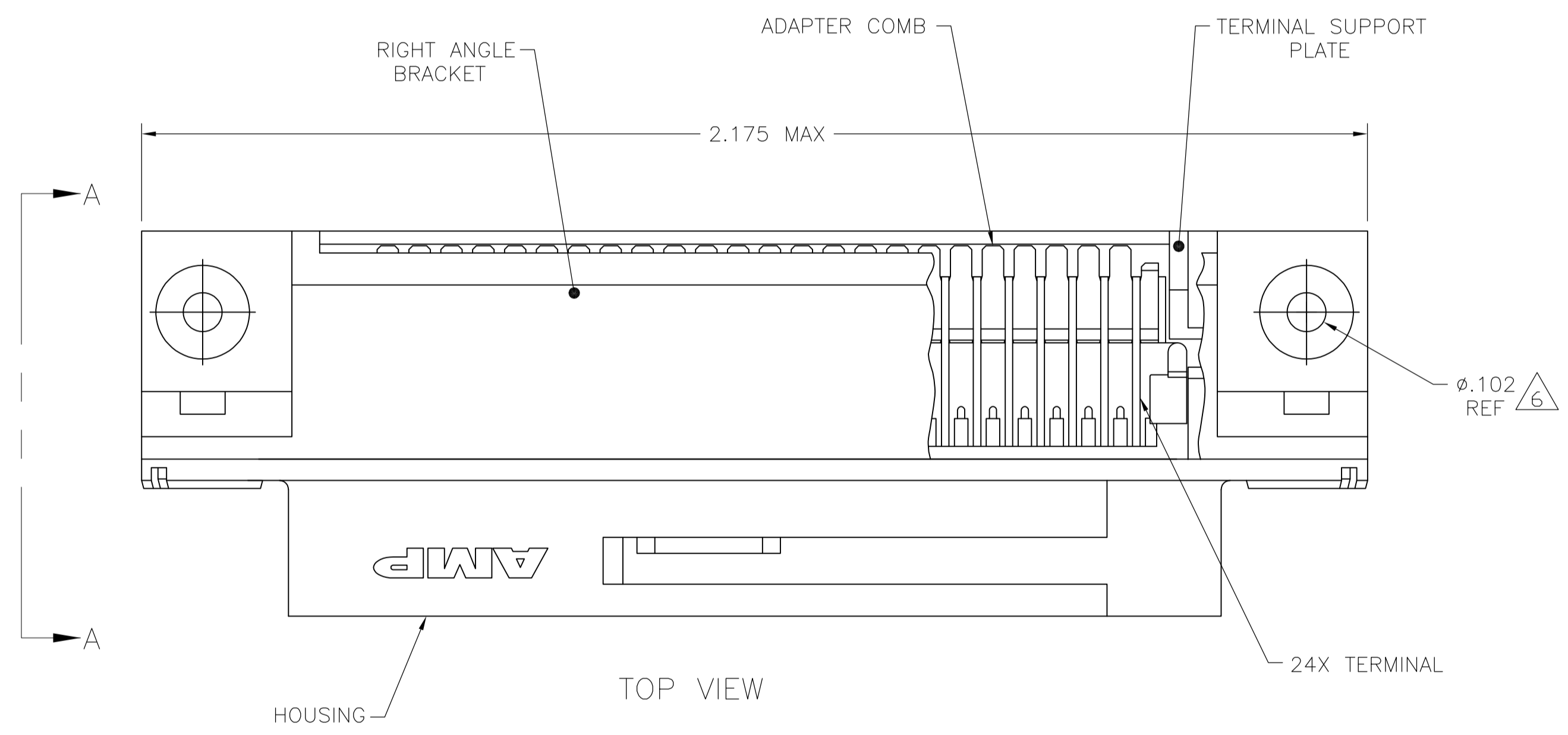
Email & Skype: info@chipsmall.com Web: www.chipsmall.com

Address: A1208, Overseas Decoration Building, #122 Zhenhua RD., Futian, Shenzhen, China





- 1 MATERIAL:
HOUSING, BRACKET, ADAPTER COMB & PLATE - THERMOPLASTIC, BLACK, 94V-0 RATED
TERMINALS - HIGH STRENGTH COPPER ALLOY PLATED WITH EITHER .000030 MIN GOLD PLATE OR GOLD FLASH OVER PALLADIUM NICKEL PLATE .000030 MIN TOTAL ON MATING SURFACE. .000120 MIN TIN-LEAD PLATE ON TAILS. ALL OVER .000050 MIN NICKEL UNDERPLATE OVER ENTIRE TERMINAL.
- 2 TERMINAL 1 IS LOCATED IN THIS ROW FOR 552741-1.
- 3 TERMINAL SUPPORT PLATE CLEARANCE FOR TERMINAL STRAIN RELIEF AND FLUX REMOVAL.
- 4 PANEL THICKNESS RANGE: .062 MAX.
- 5 DETAIL A IS VIEWED FROM MATING SIDE OF PLUG ASSEMBLY.
- 6 FOR USE WITH A NO. 4 BT TYPE SELF TAPPING SCREW.



OBSOLETE	552741-2
SELF-TAPPING 6	SEE DETAIL A 2
TYPE OF MOUNTING	DESCRIPTION
	PART NUMBER

THIS DRAWING IS A CONTROLLED DOCUMENT.		DIN Z REAM 2/APR/07		Tyco Electronics Tyco Electronics Corporation Harrisburg, PA 17105-3608	
DIMENSIONS: INCHES		TOLERANCES UNLESS OTHERWISE SPECIFIED:		NAME	
0 PLC ± -		1 PLC ± -		PLUG ASSEMBLY, 24 POSN, RIGHT ANGLE, PRINTED CIRCUIT BOARD (CHAMP-LOK, THRU-BOLT & SELF-TAPPING)	
2 PLC ± -		3 PLC ± .005		APPLICATION SPEC	
3 PLC ± -		4 PLC ± -		SIZE	
4 PLC ± -		ANGLES ± -		CAGE CODE	
MATERIAL 1		FINISH 1		DRAWING NO	
				A1 00779	
CUSTOMER DRAWING		SCALE 2:1		SHEET 1 OF 1	