



Chipsmall Limited consists of a professional team with an average of over 10 year of expertise in the distribution of electronic components. Based in Hongkong, we have already established firm and mutual-benefit business relationships with customers from,Europe,America and south Asia,supplying obsolete and hard-to-find components to meet their specific needs.

With the principle of “Quality Parts,Customers Priority,Honest Operation,and Considerate Service”,our business mainly focus on the distribution of electronic components. Line cards we deal with include Microchip,ALPS,ROHM,Xilinx,Pulse,ON,Everlight and Freescale. Main products comprise IC,Modules,Potentiometer,IC Socket,Relay,Connector.Our parts cover such applications as commercial,industrial, and automotives areas.

We are looking forward to setting up business relationship with you and hope to provide you with the best service and solution. Let us make a better world for our industry!



Contact us

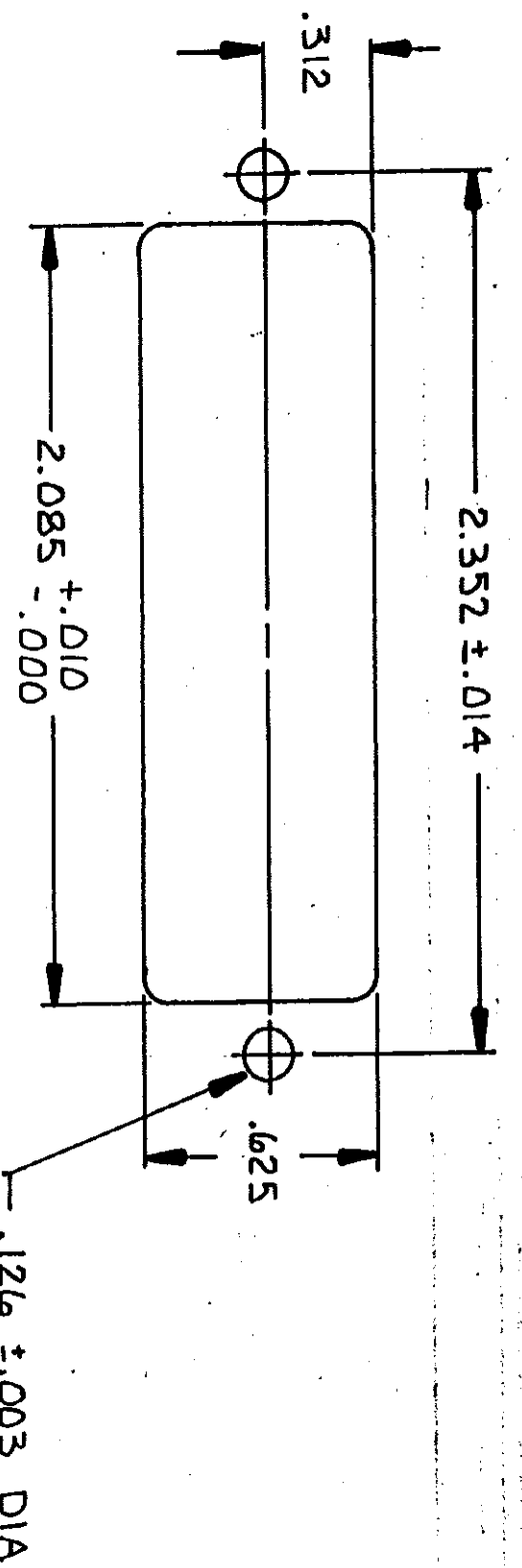
Tel: +86-755-8981 8866 Fax: +86-755-8427 6832

Email & Skype: info@chipsmall.com Web: www.chipsmall.com

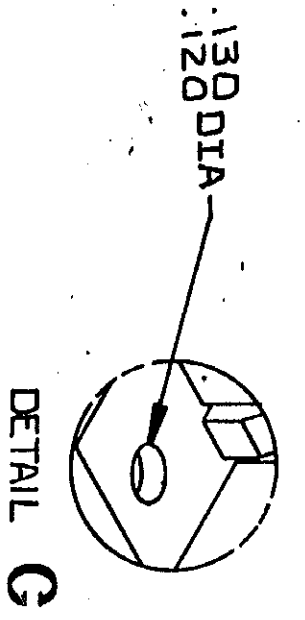
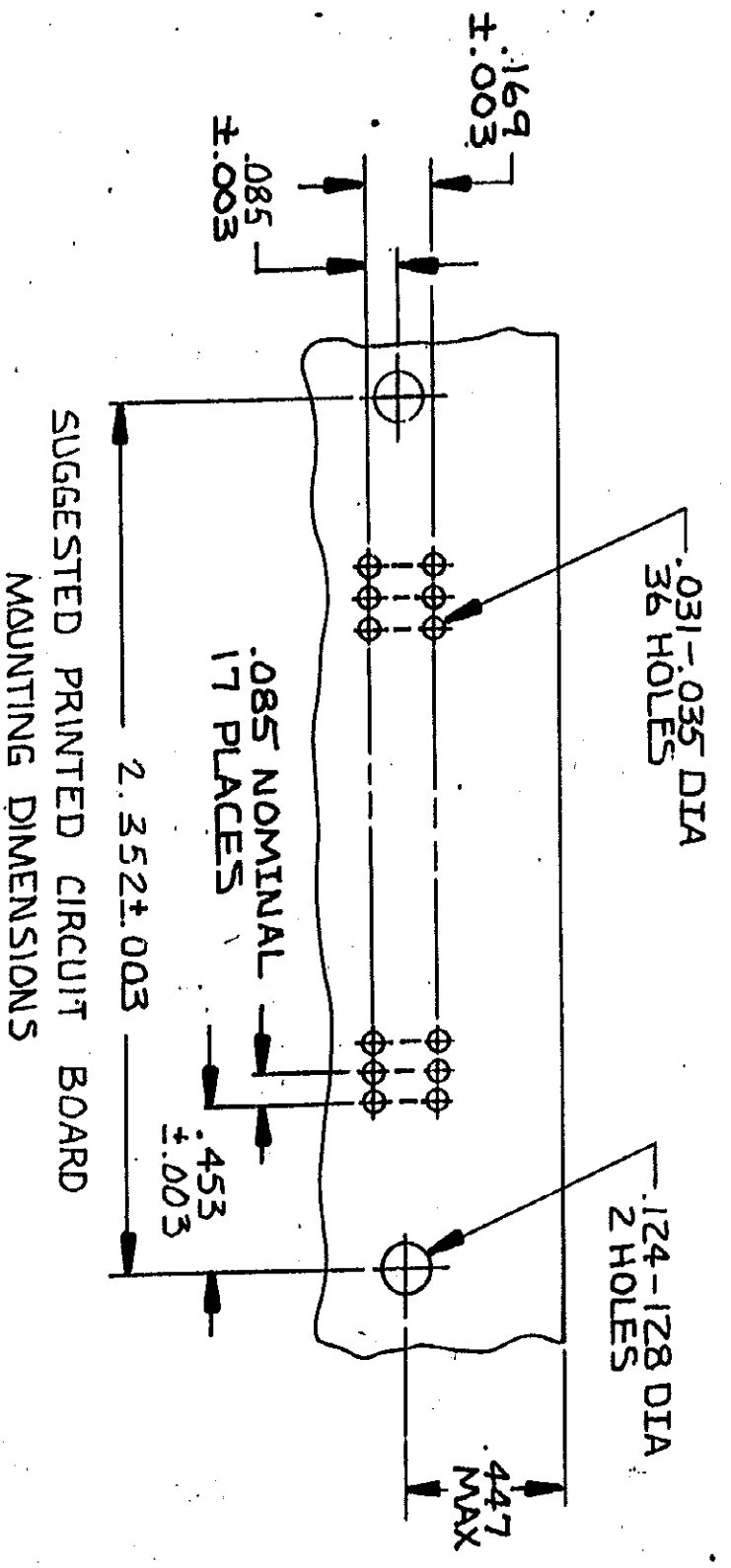
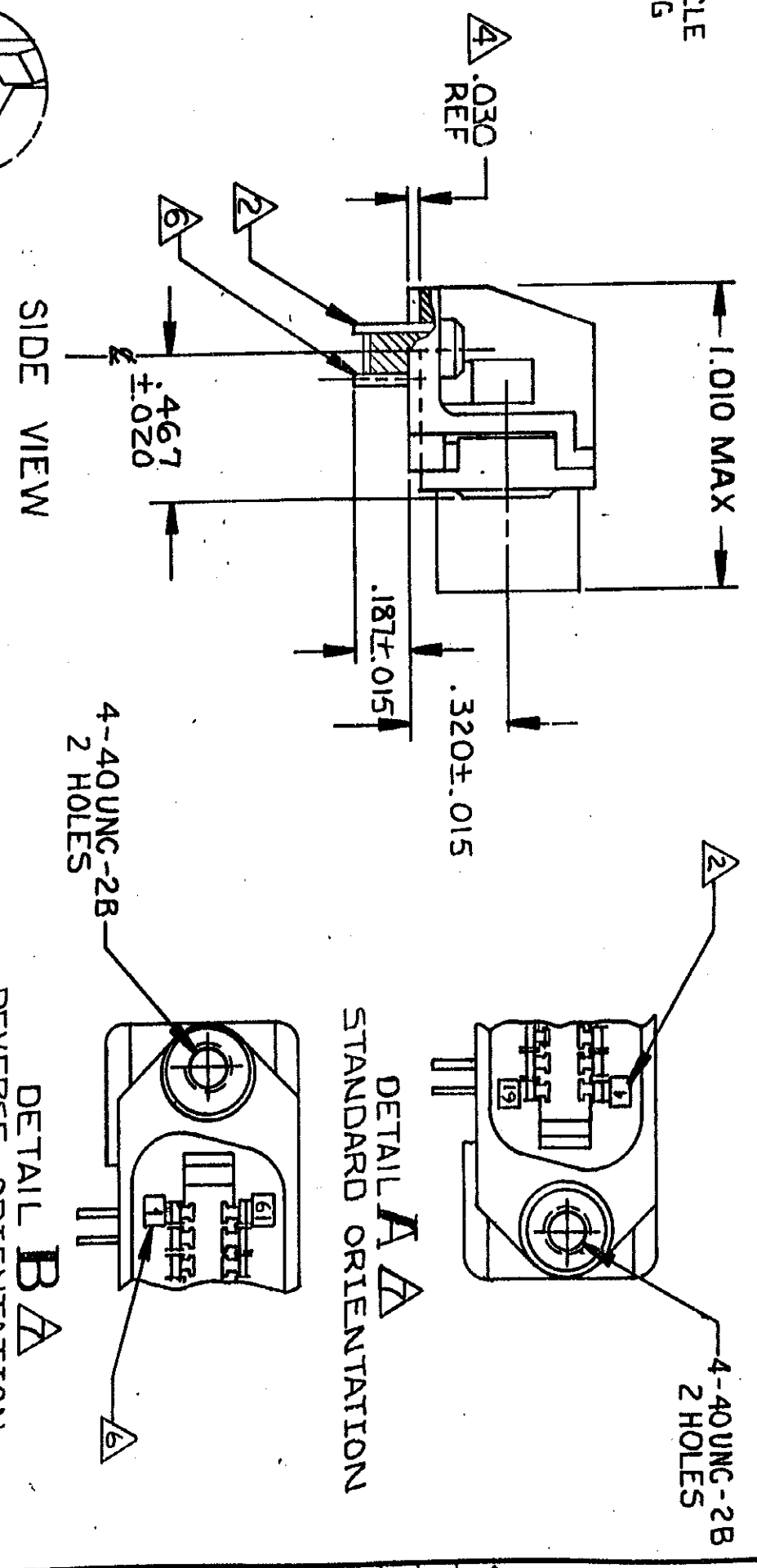
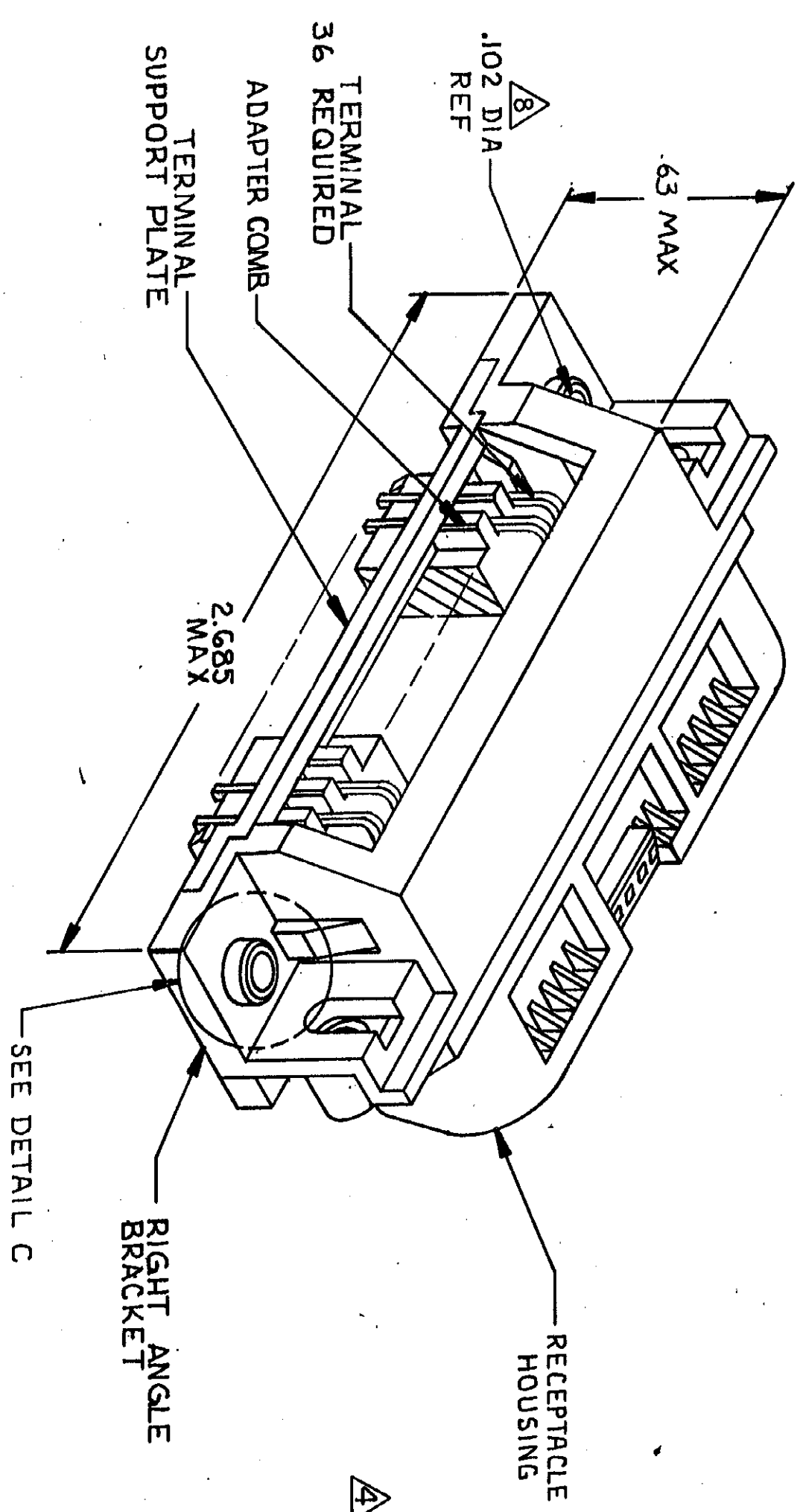
Address: A1208, Overseas Decoration Building, #122 Zhenhua RD., Futian, Shenzhen, China



REV	DATE	APPROVED	LOC	DIST
1	5/31/82	STW	AA	21



- ▲ MATERIAL: HOUSING, BRACKET, PLATE AND COMB-THERMOPLASTIC, BLACK, 94V-0 RATED. TERMINALS-TAILS-TIN LEAD OVER NICKEL PLATED HIGH STRENGTH COPPER ALLOY. MATING SURFACE-LOCALIZED GOLD OVER NICKEL PLATED HIGH STRENGTH COPPER ALLOY.
- ▲ TERMINAL 1 LOCATED IN THIS ROW FOR 552742-1 AND -3.
- ▲ TERMINAL SUPPORT PLATE CLEARANCE FOR TERMINAL STRAIN RELIEF AND FLUX REMOVAL.
- ▲ PANEL THICKNESS RANGE: .062.
- ▲ TERMINAL 1 LOCATED IN THIS ROW FOR 552742-2 & -4.
- ▲ DETAILS A & B ARE VIEWED FROM MATING SIDE OF RECEPTACLE ASSEMBLY.
- ▲ FOR USE WITH A NO. 4 BT TYPE SELF-TAPPING SCREW.



THRU-BOLT	SEE DETAIL A	552742-3
SEE DETAIL C	SEE DETAIL B	552742-2
SELF-TAPPING	SEE DETAIL A	552742-1
TYPE OF MOUNTING	DESCRIPTION	PART NO

UNLESS OTHERWISE SPECIFIED DIMENSIONS ARE IN INCHES. TOLERANCES ON: DECIMALS ± ANGLES		CONTRACT NO		AMP INCORPORATED Harrisburg, Pa. 17105	
MATERIAL		DR	Q. Note	2-10-82	NAME
FINISH		CHK	MD	2/26/82	ASSEMBLY, RECEPTACLE, 36 POSITION, RIGHT ANGLE, PRINTED CIRCUIT BOARD (CHAMP-LOK, THRU-BOLT & SELF-TAPPING)
APPROVED		APPRO	APPRO	3/13/82	SIZE
DESIGN APPRO		DESIGN APPRO	DESIGN APPRO	3/18/82	FSCM NO
OTHER APPRO		OTHER APPRO	OTHER APPRO		DRAWING NO
		SCALE		2/1	552742
		SHEET		1 OF 1	