



Chipsmall Limited consists of a professional team with an average of over 10 year of expertise in the distribution of electronic components. Based in Hongkong, we have already established firm and mutual-benefit business relationships with customers from,Europe,America and south Asia,supplying obsolete and hard-to-find components to meet their specific needs.

With the principle of “Quality Parts,Customers Priority,Honest Operation,and Considerate Service”,our business mainly focus on the distribution of electronic components. Line cards we deal with include Microchip,ALPS,ROHM,Xilinx,Pulse,ON,Everlight and Freescale. Main products comprise IC,Modules,Potentiometer,IC Socket,Relay,Connector.Our parts cover such applications as commercial,industrial, and automotives areas.

We are looking forward to setting up business relationship with you and hope to provide you with the best service and solution. Let us make a better world for our industry!



Contact us

Tel: +86-755-8981 8866 Fax: +86-755-8427 6832

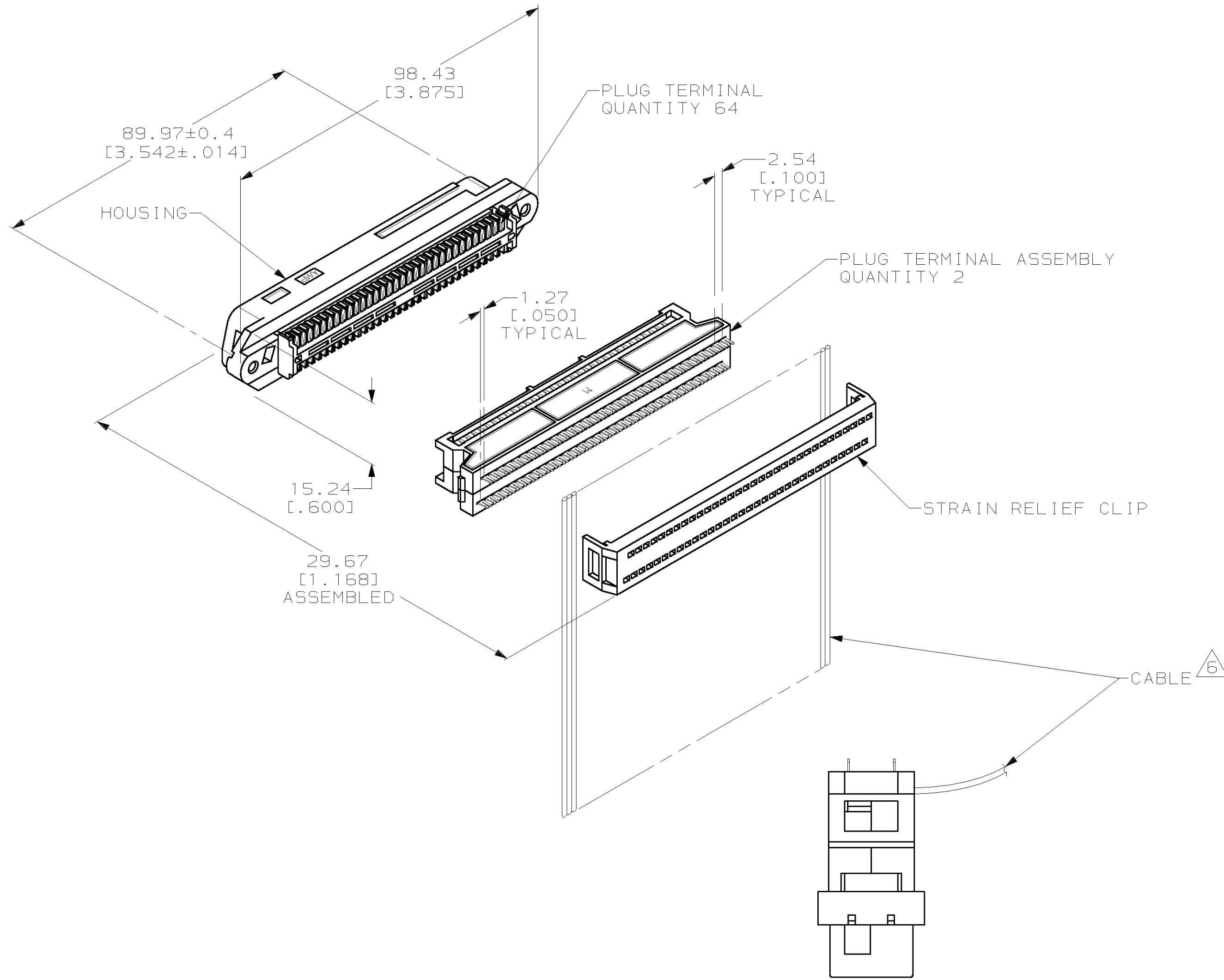
Email & Skype: info@chipsmall.com Web: www.chipsmall.com

Address: A1208, Overseas Decoration Building, #122 Zhenhua RD., Futian, Shenzhen, China



THIS DRAWING IS UNPUBLISHED. RELEASED FOR PUBLICATION .19
 (C) COPYRIGHT 19 BY AMP INCORPORATED. ALL RIGHTS RESERVED.

LOC	DIST	REVISIONS			
P	LTR	DESCRIPTION	DATE	DWN	APVD
AA	20	D	SUPERSEDED: -3; EC 0640-0545-98	21JUL99	DLD EWB



1. THE CONTACT SURFACES OF THE TERMINALS ARE COATED WITH LUBRICANT.
- 2 MATERIAL: HOUSING AND STRAIN RELIEF CLIP - THERMOPLASTIC, BLACK. TERMINALS - GOLD OVER NICKEL PLATED HIGH STRENGTH COPPER ALLOY ON MATING END AND GOLD FLASH OVER NICKEL PLATE ON TERMINATING END. INSERT - ZINC PLATED BRASS.
3. STRAIN RELIEF CLIP SHIPPED UNASSEMBLED.
4. WIRE RANGE: 28 AWG (STRANDED) OR 30 AWG (SOLID) COPPER RIBBON CABLE.
5. ALL DIMENSIONS SHOWN ARE FOR REFERENCE ONLY.
- 6 RIBBON CABLE SHALL BE FURNISHED BY CUSTOMER.

552837-1
PART NUMBER

THIS DRAWING IS A CONTROLLED DOCUMENT.		DWN DL DRUMMOND 21 JUL 99	AMP Incorporated Harrisburg, PA 17105-3608	
DIMENSIONS: mm [INCHES]		CHK EW BEILES 21 JUL 99	NAME PLUG KIT, 64 POSITION, SCREW LOCK, CHAMP-LATCH	
TOLERANCES UNLESS OTHERWISE SPECIFIED:		APVD EW BEILES 21 JUL 99	SIZE A2	CAGE CODE 00779
0 PLC ±	1 PLC ±	PRODUCT SPEC -	DRAWING NO C- 552837	RESTRICTED TO -
2 PLC ±	3 PLC ±	APPLICATION SPEC -	SCALE 1:1	SHEET 1 OF 1
4 PLC ±	ANGLES ±	WEIGHT -	CUSTOMER DRAWING	REV D
MATERIAL 2	FINISH 2			

552837