



Chipsmall Limited consists of a professional team with an average of over 10 year of expertise in the distribution of electronic components. Based in Hongkong, we have already established firm and mutual-benefit business relationships with customers from,Europe,America and south Asia,supplying obsolete and hard-to-find components to meet their specific needs.

With the principle of “Quality Parts,Customers Priority,Honest Operation,and Considerate Service”,our business mainly focus on the distribution of electronic components. Line cards we deal with include Microchip,ALPS,ROHM,Xilinx,Pulse,ON,Everlight and Freescale. Main products comprise IC,Modules,Potentiometer,IC Socket,Relay,Connector.Our parts cover such applications as commercial,industrial, and automotives areas.

We are looking forward to setting up business relationship with you and hope to provide you with the best service and solution. Let us make a better world for our industry!



Contact us

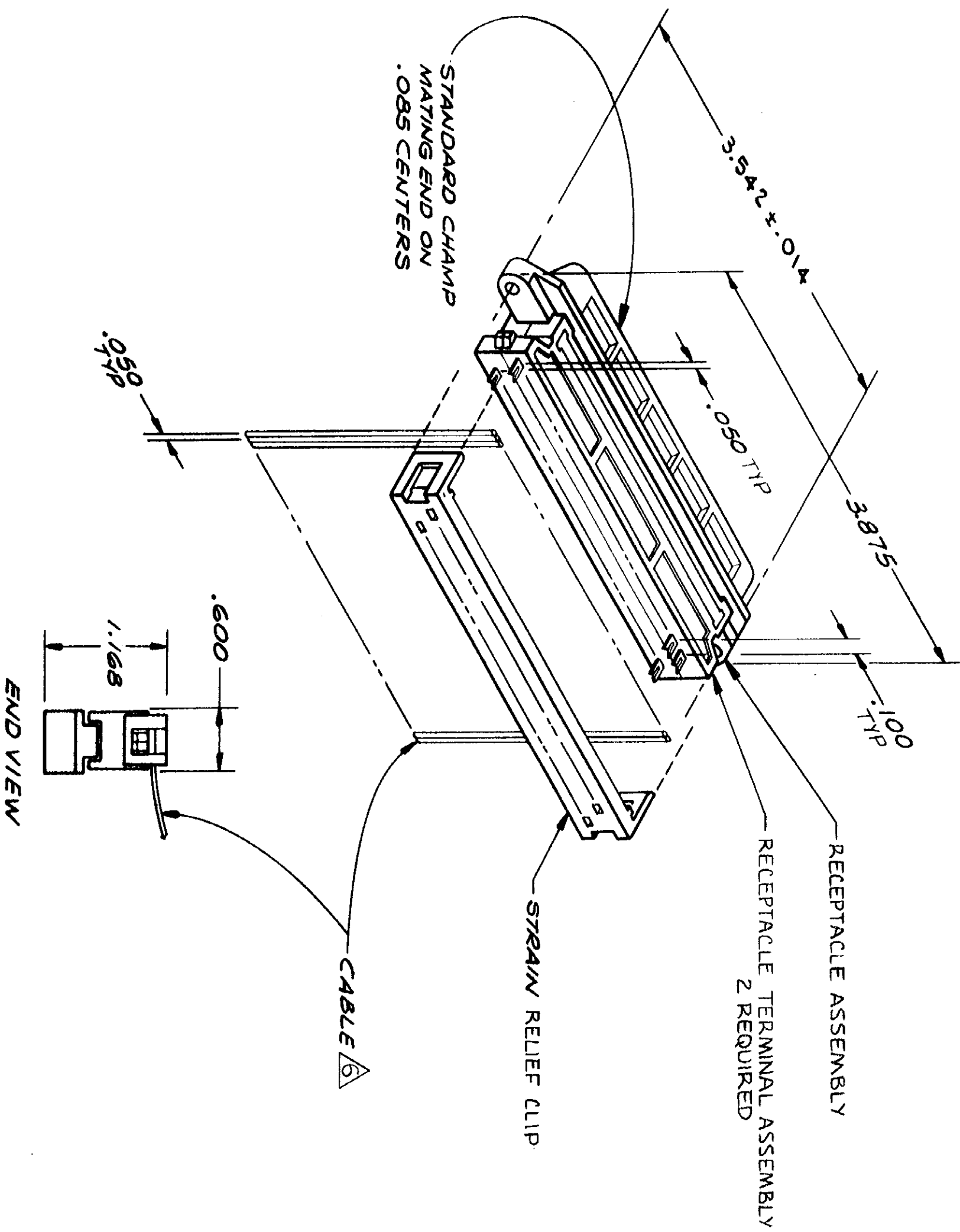
Tel: +86-755-8981 8866 Fax: +86-755-8427 6832

Email & Skype: info@chipsmall.com Web: www.chipsmall.com

Address: A1208, Overseas Decoration Building, #122 Zhenhua RD., Futian, Shenzhen, China



© COPYRIGHT 1979 BY AMP INCORPORATED, HARRISBURG, PA. ALL INTERNATIONAL RIGHTS RESERVED. AMP INCORPORATED PRODUCTS COVERED BY U. S. AND FOREIGN PATENTS AND/OR PATENTS PENDING.



P	F	ZONE	L	TR	REVISIONS	DATE	APPROVED
0					RLSE PER NPI C79-5	1-15-79	MJ
A					CHG DWG TITLE ECN C-1259	4/30/79	BN
B					REV PER AA-509	12/11/80	MJ
C					REV PER ECN AA-738	2-3-81	TP

1. THE CONTACT SURFACES OF THE TERMINALS ARE COATED WITH LUBRICANT.
2. MATERIAL: HOUSING & STRAIN RELIEF CLIP-THERMO-PLASTIC (BLK)
TERMINALS-GOLD OVER NICKEL PLATED HIGH STRENGTH COPPER ALLOY ON MATING END & GOLD FLASH OVER NICKEL PLATE ON TERMINATING END.
3. STRAIN RELIEF CLIP SHIPPED UNASSEMBLED.
4. WIRE RANGE: 28 AWG (STRANDED) OR 30 AWG (SOLID) COPPER RIBBON CABLE.
5. ALL DIMENSIONS SHOWN ARE FOR REFERENCE ONLY. RIBBON CABLE SHALL BE FURNISHED BY CUSTOMER.

552838-1 AS SHOWN

UNLESS OTHERWISE SPECIFIED DIMENSIONS ARE IN INCHES. TOLERANCES ON: DECIMALS ± # ANGLES		CONTRACT NO		NAME	
MATERIAL		DR M.D. FULL 1-15-79		KIT, RCPT, 64 POSN, RIBBON CABLE, CHAMP (THK FLG)	
FINISH		CHK/ 1/15/79 E. Shaw 1/15/79		AMP INCORPORATED Harrisburg, Pa.	
OTHER APPRO		APPD 5/11/79		SIZE CODE IDENT NO/DRAWING NO	
		APPD 5/11/79		C 00779 552838	
		APPD 5/11/79		SCALE 1:1 SHEET 1 OF 1	

CHAMP* CHAMP-LOK* Connectors
* Trademarks of AMP Incorporated

CUSTOMER DRAWING

552838