



Chipsmall Limited consists of a professional team with an average of over 10 year of expertise in the distribution of electronic components. Based in Hongkong, we have already established firm and mutual-benefit business relationships with customers from,Europe,America and south Asia,supplying obsolete and hard-to-find components to meet their specific needs.

With the principle of “Quality Parts,Customers Priority,Honest Operation,and Considerate Service”,our business mainly focus on the distribution of electronic components. Line cards we deal with include Microchip,ALPS,ROHM,Xilinx,Pulse,ON,Everlight and Freescale. Main products comprise IC,Modules,Potentiometer,IC Socket,Relay,Connector.Our parts cover such applications as commercial,industrial, and automotives areas.

We are looking forward to setting up business relationship with you and hope to provide you with the best service and solution. Let us make a better world for our industry!



Contact us

Tel: +86-755-8981 8866 Fax: +86-755-8427 6832

Email & Skype: info@chipsmall.com Web: www.chipsmall.com

Address: A1208, Overseas Decoration Building, #122 Zhenhua RD., Futian, Shenzhen, China

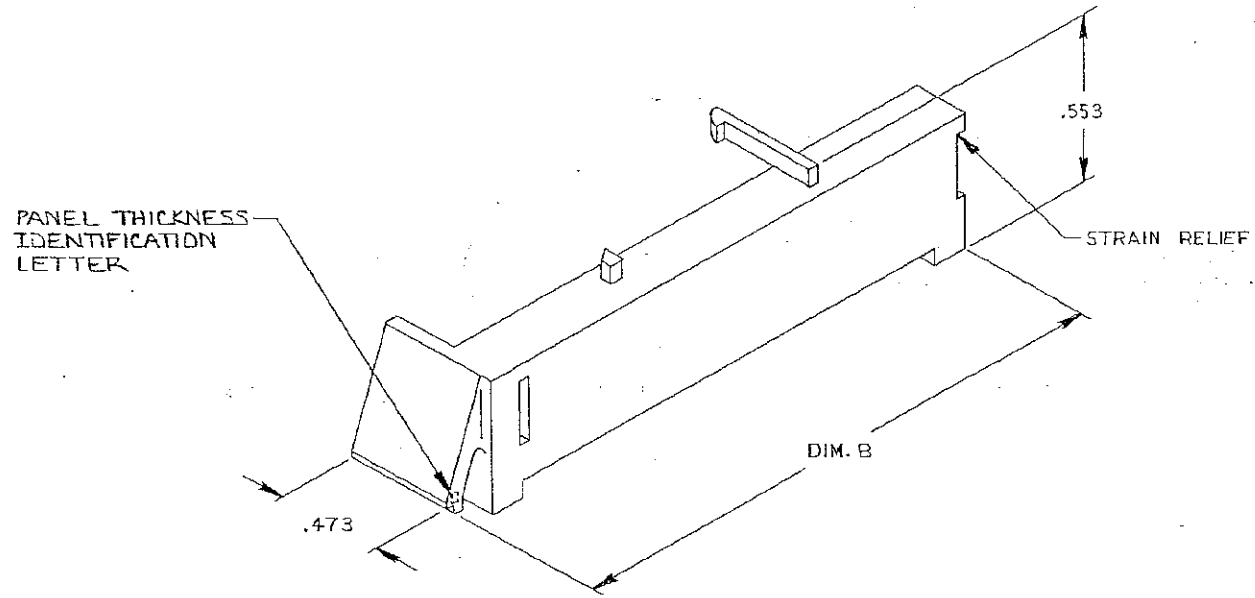


DRAWING MADE IN THIRD ANGLE PROJECTION

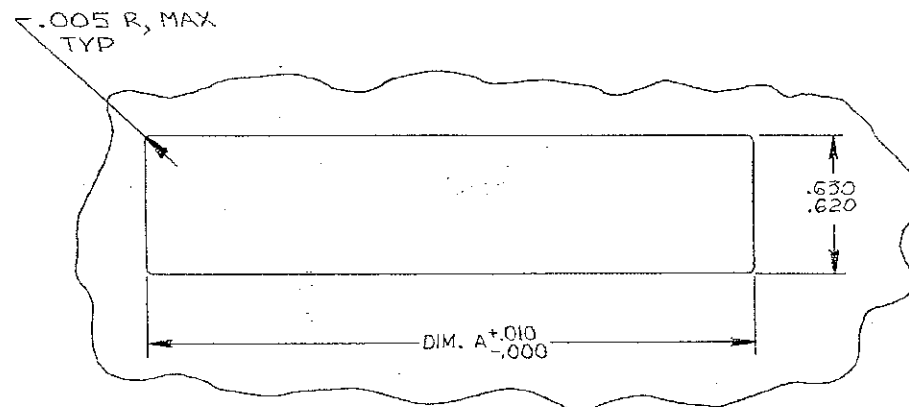
© COPYRIGHT 1979 BY AMP INCORPORATED, HARRISBURG, PA.
ALL INTERNATIONAL RIGHTS RESERVED. AMP INCORPORATED PRODUCTS
COVERED BY U. S. AND FOREIGN PATENTS AND/OR PATENTS PENDING.

LOC DIST
AA 20

REVISIONS					
P	F	ZONE/LTR	DESCRIPTION	DATE	APPROVED
G			OBSOLETE -1; ECN AA-5942	11-18	<i>[Signature]</i>
H			OBSOLETE -10; 0515-0319-02	1-03	RM



- 1. MATL: THERMOPLASTIC (NORYL).
- 2. TWO STRAIN RELIEFS REQUIRED PER ASSEMBLY.
- 3. .928 MAX HEIGHT AFTER COVERS HAVE BEEN ASSEMBLED TO CONNECTOR.
- 4. UNLESS OTHERWISE SPECIFIED ALL DIMENSIONS ARE FOR REFERENCE ONLY.



SUGGESTED PANEL CUTOUT

	PANEL THICKNESS IDENTIFICATION LETTER	DIM. B	POSN	DIM. A	PANEL THICKNESS	COLOR	PART NO
OBSOLETE	B	1.407	24	1.575	.090	BLACK	1-552962-0
	B	2.512	50	2.700	.090	BLACK	552962-3

UNLESS OTHERWISE SPECIFIED DIMENSIONS ARE IN INCHES. TOLERANCES ON: DECIMALS ± # ANGLES ± #	CONTRACT NO 4-2-79		AMP INCORPORATED Harrisburg, Pa.	
	DR <i>[Signature]</i>	NAME STRAIN RELIEF, SNAP-IN, CHAMP-LOK		
MATERIAL 	CHK <i>[Signature]</i> 4/3/79	APPD <i>[Signature]</i> 4/1/79		
	APPD <i>[Signature]</i> 6/3/79	DSGN APPD		
FINISH 	OTHER APPD		SIZE C	CODE IDENT NO 00779
	DRAWING NO 552962		SCALE 2-1	SHEET 1 OF 1

WAS 1210-78-141

552962