



Chipsmall Limited consists of a professional team with an average of over 10 year of expertise in the distribution of electronic components. Based in Hongkong, we have already established firm and mutual-benefit business relationships with customers from,Europe,America and south Asia,supplying obsolete and hard-to-find components to meet their specific needs.

With the principle of "Quality Parts,Customers Priority,Honest Operation,and Considerate Service",our business mainly focus on the distribution of electronic components. Line cards we deal with include Microchip,ALPS,ROHM,Xilinx,Pulse,ON,Everlight and Freescale. Main products comprise IC,Modules,Potentiometer,IC Socket,Relay,Connector.Our parts cover such applications as commercial,industrial, and automotives areas.

We are looking forward to setting up business relationship with you and hope to provide you with the best service and solution. Let us make a better world for our industry!



Contact us

Tel: +86-755-8981 8866 Fax: +86-755-8427 6832

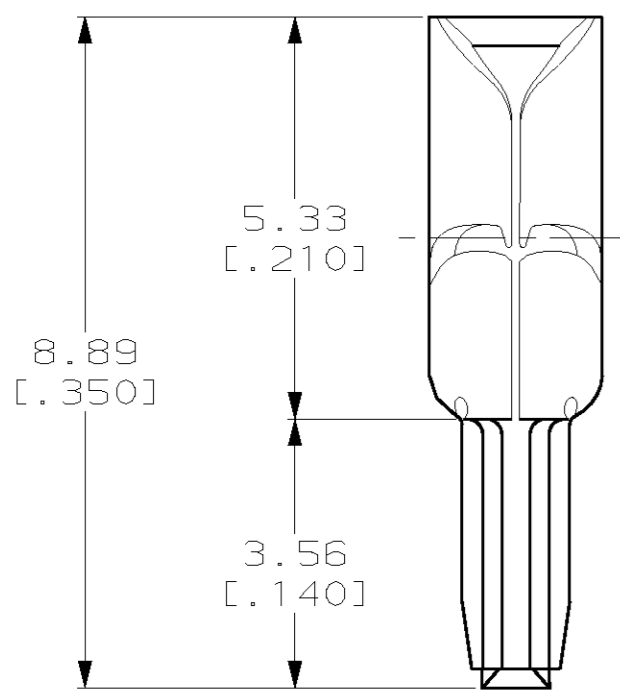
Email & Skype: info@chipsmall.com Web: www.chipsmall.com

Address: A1208, Overseas Decoration Building, #122 Zhenhua RD., Futian, Shenzhen, China

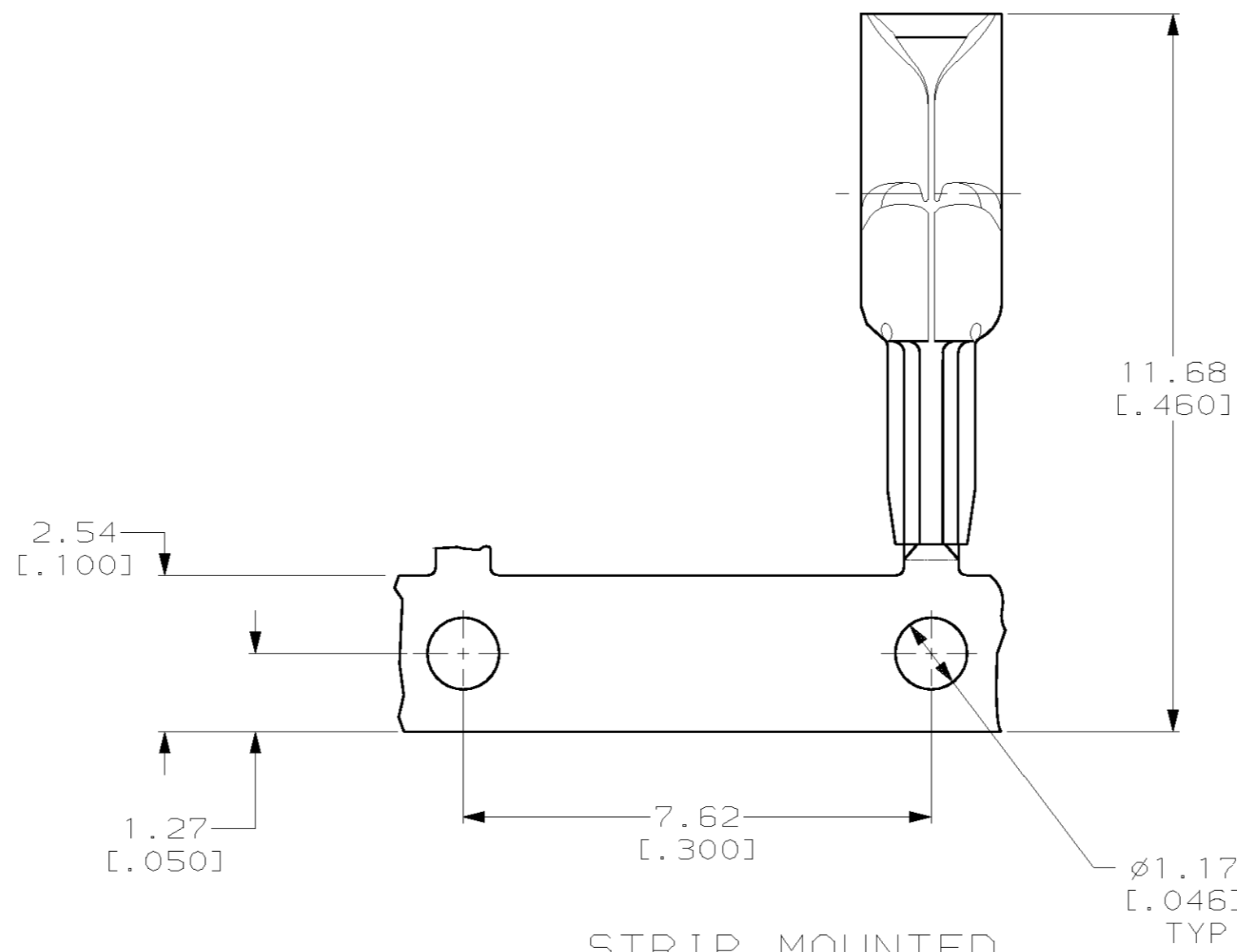


THIS DRAWING IS UNPUBLISHED. RELEASED FOR PUBLICATION .19
 (C) COPYRIGHT 19 BY AMP INCORPORATED. ALL RIGHTS RESERVED.

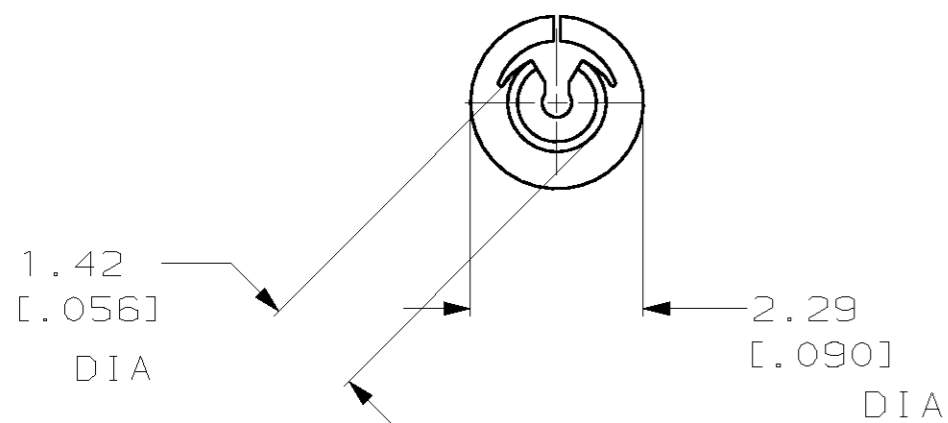
LOC	DIST	REVISIONS					
		P	LTR	DESCRIPTION	DATE	DWN	APVD
HM	00	F		REV; EC 0B40-0280-00	13DEC00	GG	BT



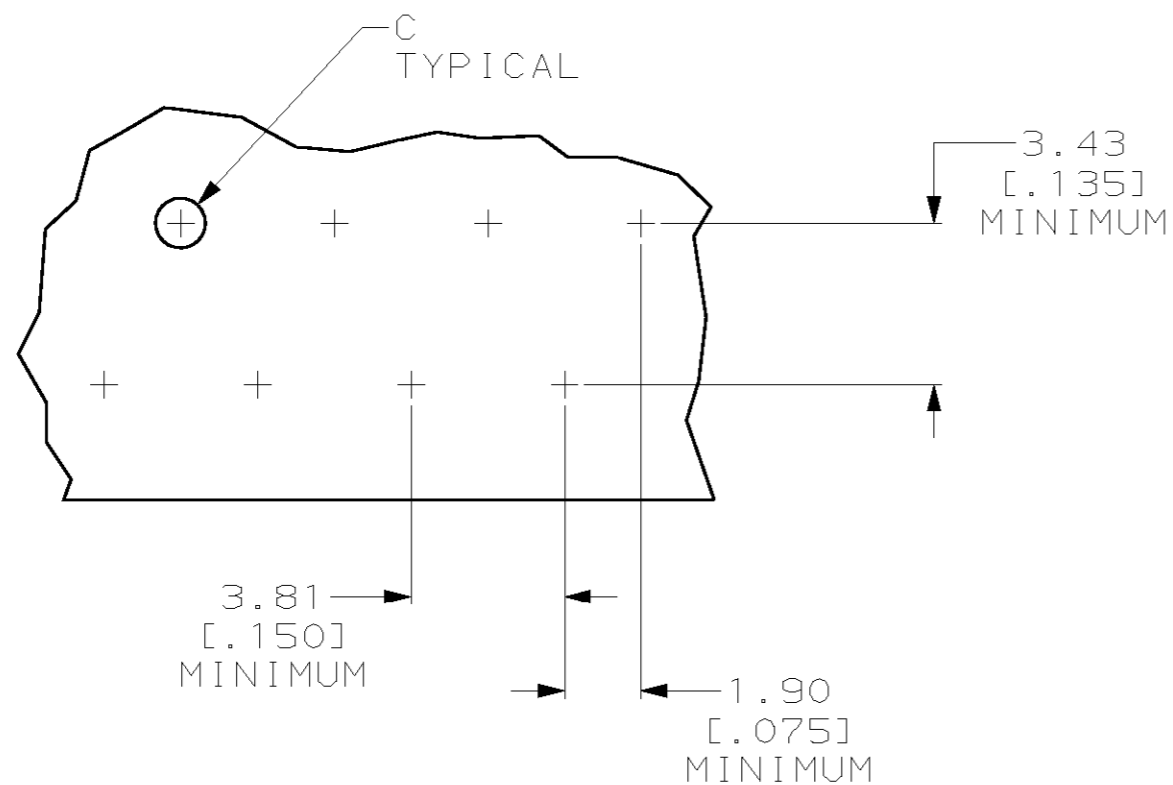
LOOSE PIECE



STRIP MOUNTED



1. ALL DIMENSIONS SHOWN ARE FOR REFERENCE ONLY.
2. FOR USE IN PRINTED CIRCUIT BOARDS 3/64, 1/16 AND 3/32 THICK.
3. WIRE RANGE: 22-28 AWG (SOLID) OR (STRANDED) WIRE. MAXIMUM OUTSIDE DIAMETER 1.34 [.053].
4. FURNISHED AS LOOSE PIECE OR STRIP MOUNTED BY SMALL END OF BARREL.
5. TERMINAL SHALL ACCOMMODATE ONE OR TWO WIRES OF THE SAME TYPE AND WITHIN +/- ONE WIRE GAUGE SIZE.
6. STRIPE OF NICKEL SOLDER RESIST INSIDE OF TERMINAL PREVENTS SOLDER WICKING.
7. SELECTIVELY PREPLATED 0.00381 [.000150] MIN MATTE TIN-LEAD OVER 0.00127 [.000050] MIN MATTE NICKEL.



SUGGESTED PRINTED CIRCUIT BOARD MOUNTING DIMENSIONS SCALE 8:1

1.22-1.32 [.048-.052]	1.27-1.37 [.050-.054]	STRIP MOUNTED	552967-2
		LOOSE PIECE	552967-1
PUNCHED HOLE	DRILLED HOLE	DESCRIPTION	PART NUMBER

THIS DRAWING IS A CONTROLLED DOCUMENT FOR AMP INCORPORATED. IT IS SUBJECT TO CHANGE AND THE CONTROLLING ENGINEERING ORGANIZATION SHOULD BE CONTACTED FOR THE LATEST REVISION.		DWN	JR RUTH	26MAY00	AMP Incorporated Harrisburg, PA 17105-3608	
DIMENSIONS: mm [INCHES]		CHK	E HOWARD	26MAY00		
TOLERANCES UNLESS OTHERWISE SPECIFIED:		APVD	E HOWARD	26MAY00		
0 PLC ±- 1 PLC ±- 2 PLC ±- 3 PLC ±- 4 PLC ±- ANGLES ±- FINISH		NAME	E HOWARD			
MATERIAL		PRODUCT SPEC	TERMINAL, $\phi 0.090$, AMP BARREL WITH SOLDER RESIST			
PHOS BRONZE		APPLICATION SPEC	SIZE	A2	CAGE CODE	00779
		WEIGHT	DRAWING NO		C-552967	
		CUSTOMER DRAWING	SCALE	10:1	SHEET	1 OF 1
				REV	F	