



Chipsmall Limited consists of a professional team with an average of over 10 year of expertise in the distribution of electronic components. Based in Hongkong, we have already established firm and mutual-benefit business relationships with customers from,Europe,America and south Asia,supplying obsolete and hard-to-find components to meet their specific needs.

With the principle of "Quality Parts,Customers Priority,Honest Operation,and Considerate Service",our business mainly focus on the distribution of electronic components. Line cards we deal with include Microchip,ALPS,ROHM,Xilinx,Pulse,ON,Everlight and Freescale. Main products comprise IC,Modules,Potentiometer,IC Socket,Relay,Connector.Our parts cover such applications as commercial,industrial, and automotives areas.

We are looking forward to setting up business relationship with you and hope to provide you with the best service and solution. Let us make a better world for our industry!



Contact us

Tel: +86-755-8981 8866 Fax: +86-755-8427 6832

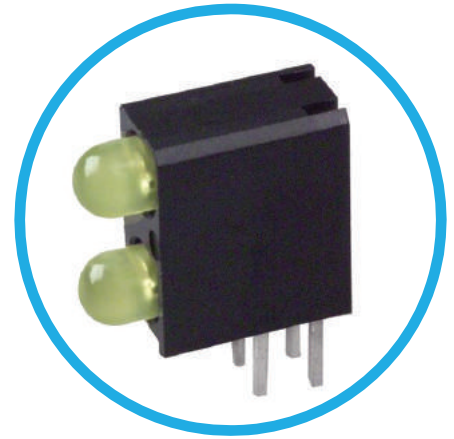
Email & Skype: info@chipsmall.com Web: www.chipsmall.com

Address: A1208, Overseas Decoration Building, #122 Zhenhua RD., Futian, Shenzhen, China



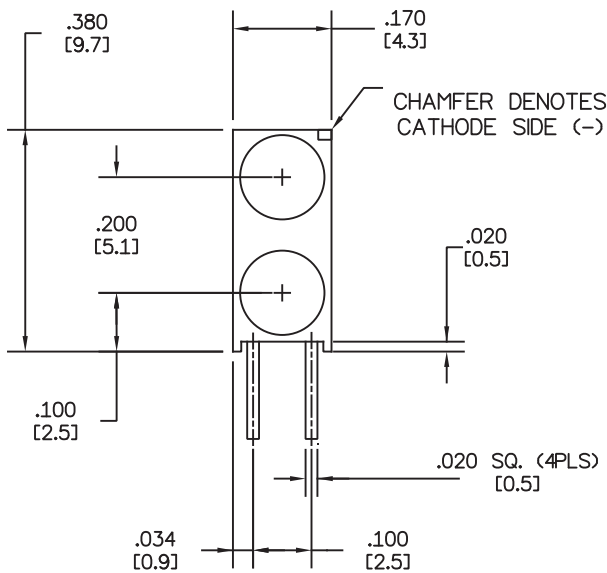


553 Series Circuit Board Indicators LED 2 Position Bi-Color 3mm

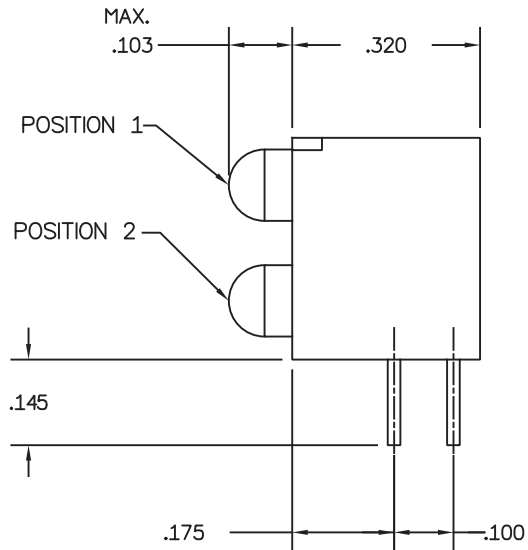


553 Series 2-position 3mm Circuit Board Mount LED Indicator Lights Arrays provide the most design flexibility and assembly efficiency.

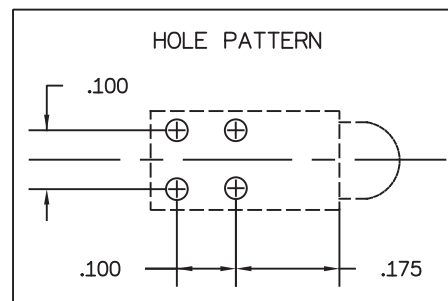
Product Dimensions



All Dimensions in inches [mm]



All Dimensions in inches



All Dimensions in inches

Ordering Data

CATHODE SIDE

MODEL NO.	POSITION 1 LED P/N	POSITION 2 LED P/N	OUTPUT COLOR	(+)	(-) "CHAMFER"
553-0111	4303F1	4303F1	RED RED	RED ANODE	RED CATHODE
553-0122	4303F5	4303F5	GREEN GREEN	GREEN ANODE	GREEN CATHODE
553-0133	4303F7	4303F7	YELLOW YELLOW	YELLOW ANODE	YELLOW CATHODE
553-0711	4301F1/5	4301F1/5	RED/GRN RED/GRN	RED CATHODE/ GREEN ANODE	GREEN CATHODE/ RED ANODE
553-0744	4301F15/17	4301F15/17	YEL/GRN YEL/GRN	YELLOW CATHODE/ GREEN ANODE	GREEN CATHODE/ YELLOW ANODE

Compliance and Approvals

