



Chipsmall Limited consists of a professional team with an average of over 10 year of expertise in the distribution of electronic components. Based in Hongkong, we have already established firm and mutual-benefit business relationships with customers from,Europe,America and south Asia,supplying obsolete and hard-to-find components to meet their specific needs.

With the principle of “Quality Parts,Customers Priority,Honest Operation,and Considerate Service”,our business mainly focus on the distribution of electronic components. Line cards we deal with include Microchip,ALPS,ROHM,Xilinx,Pulse,ON,Everlight and Freescale. Main products comprise IC,Modules,Potentiometer,IC Socket,Relay,Connector.Our parts cover such applications as commercial,industrial, and automotives areas.

We are looking forward to setting up business relationship with you and hope to provide you with the best service and solution. Let us make a better world for our industry!



Contact us

Tel: +86-755-8981 8866 Fax: +86-755-8427 6832

Email & Skype: info@chipsmall.com Web: www.chipsmall.com

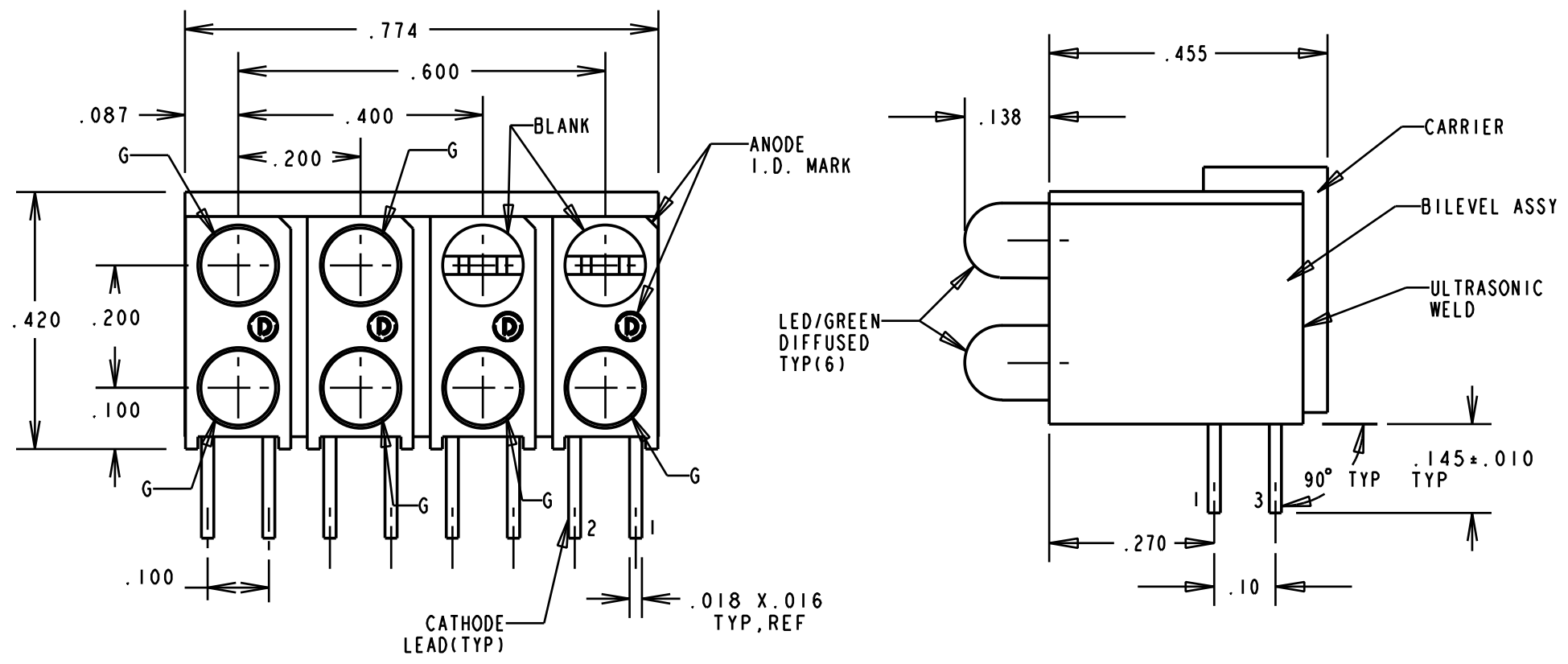
Address: A1208, Overseas Decoration Building, #122 Zhenhua RD., Futian, Shenzhen, China



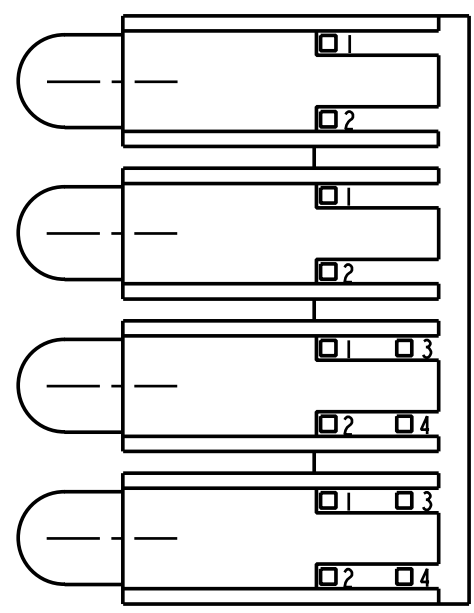
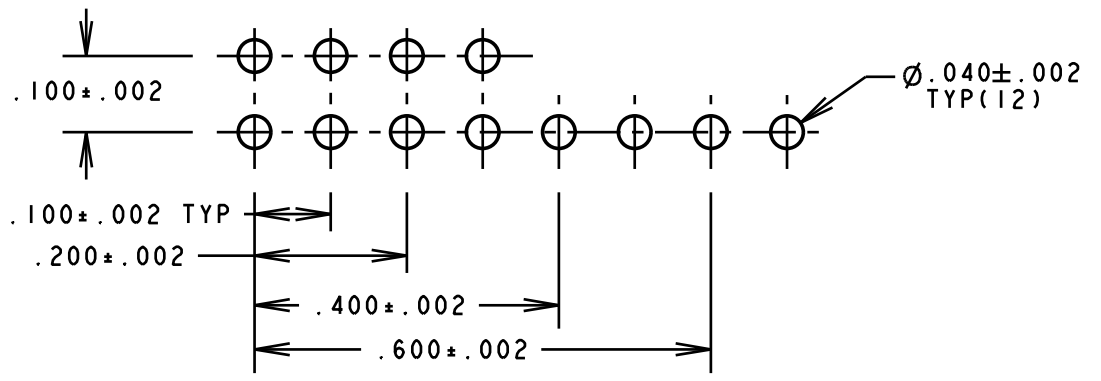
REV	ECN NO	REVISIONS	DRN	CKD	APP	DATE
A		NEW RELEASE	JMC			

NOTES:

- LEADS TO FIT INTO HOLE PATTERN GAUGE SPACED AS SHOWN.
- LED LEAD SPACING DIMENSIONS ARE MEASURED AT HOUSING EXIT.
- PIN NUMBER FOR REFERENCE ONLY. DESIGNATION NON-EXISTENT ON PART.
- PACKAGE PARTS IN TUBE WITH TWO(2) END PLUGS.
(29 PCS. PER TUBE)
- DIALIGHT PART NUMBER: 553-0008-837



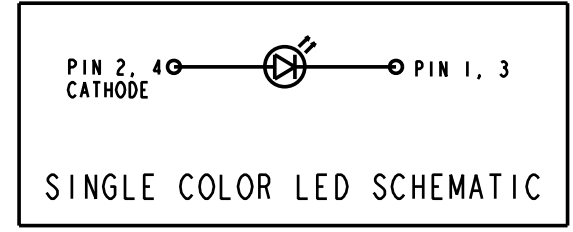
ABSOLUTE MAXIMUM RATING AT 25 °C AMBIENT	UNITS	GREEN
POWER DISSIPATION	mW	100
CONTINUOUS FORWARD CURRENT	mA	30
DERATING LINEAR FROM 50 °C	mA/°C	0.40
PEAK FORWARD CURRENT(1/10 DUTY CYCLE, .01 ms PULSE WIDTH)	mA	120
REVERSE VOLTAGE	V	5
LEAD SOLDERING TEMPERATURE, 5 SEC., .063/1.60 FROM BODY	°C	260
OPERATING AND STORAGE TEMPERATURE	°C	-55 TO +100



OPERATING CHARACTERISTICS AT 25 °C AMBIENT					
CHARACTERISTICS	MIN	TYP	MAX	UNITS	TEST CONDITIONS
LUMINOUS INTENSITY	4.7	12.6		mc d	I _F = 10 mA
FORWARD VOLTAGE		2.1	2.8	V	I _F = 10 mA
REVERSE CURRENT			100	µA	V _R = 5 V
PEAK WAVELENGTH		565		nm	MEASURED AT PEAK
VIEWING ANGLE		60		DEGREE	
CAPACITANCE		35		pF	V _F = 0; f = 1MHz

THIS DRAWING AND THE CONTENTS HEREIN ARE CONFIDENTIAL AND THE SOLE PROPERTY OF DIALIGHT. REPRODUCTION OF THIS DRAWING OR CONSTRUCTION OF ANY PARTS WITHIN THIS DRAWING ARE FORBIDDEN WITHOUT THE WRITTEN CONSENT OF DIALIGHT.

SCALE: 4:1	DRAWING NUMBER	REV
ALL DIM'S IN: INCHES (MM)	C-17161	A
TOLERANCES: UNLESS OTHERWISE SPECIFIED	TITLE	
FRACTIONS: ±1/64	3mm 2 X 4 BLOCK CBI	
DECIMALS (.XX): ±.02	MATERIAL	
DECIMALS (.XXX): ±.015		
DECIMALS (.XXXX): ±.0005		
ANGLES: ±3°		
FINISH:		
FSCM 83330	Dialight	1501 ROUTE 34 SOUTH FARMINGDALE, NJ 07727
	SHEET 1 OF 1	FAMILY TABLE:



RECOMMENDED P.C. BOARD HOLE PATTERN

SINGLE COLOR LED SCHEMATIC