



Chipsmall Limited consists of a professional team with an average of over 10 year of expertise in the distribution of electronic components. Based in Hongkong, we have already established firm and mutual-benefit business relationships with customers from,Europe,America and south Asia,supplying obsolete and hard-to-find components to meet their specific needs.

With the principle of “Quality Parts,Customers Priority,Honest Operation,and Considerate Service”,our business mainly focus on the distribution of electronic components. Line cards we deal with include Microchip,ALPS,ROHM,Xilinx,Pulse,ON,Everlight and Freescale. Main products comprise IC,Modules,Potentiometer,IC Socket,Relay,Connector.Our parts cover such applications as commercial,industrial, and automotives areas.

We are looking forward to setting up business relationship with you and hope to provide you with the best service and solution. Let us make a better world for our industry!



## Contact us

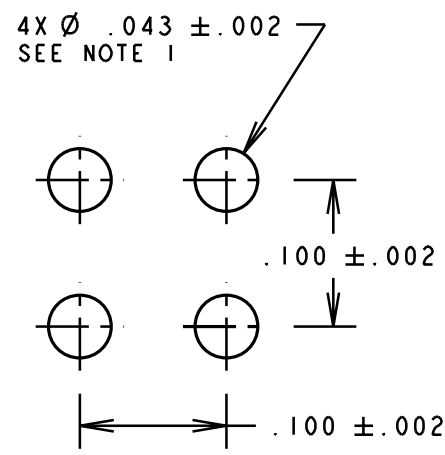
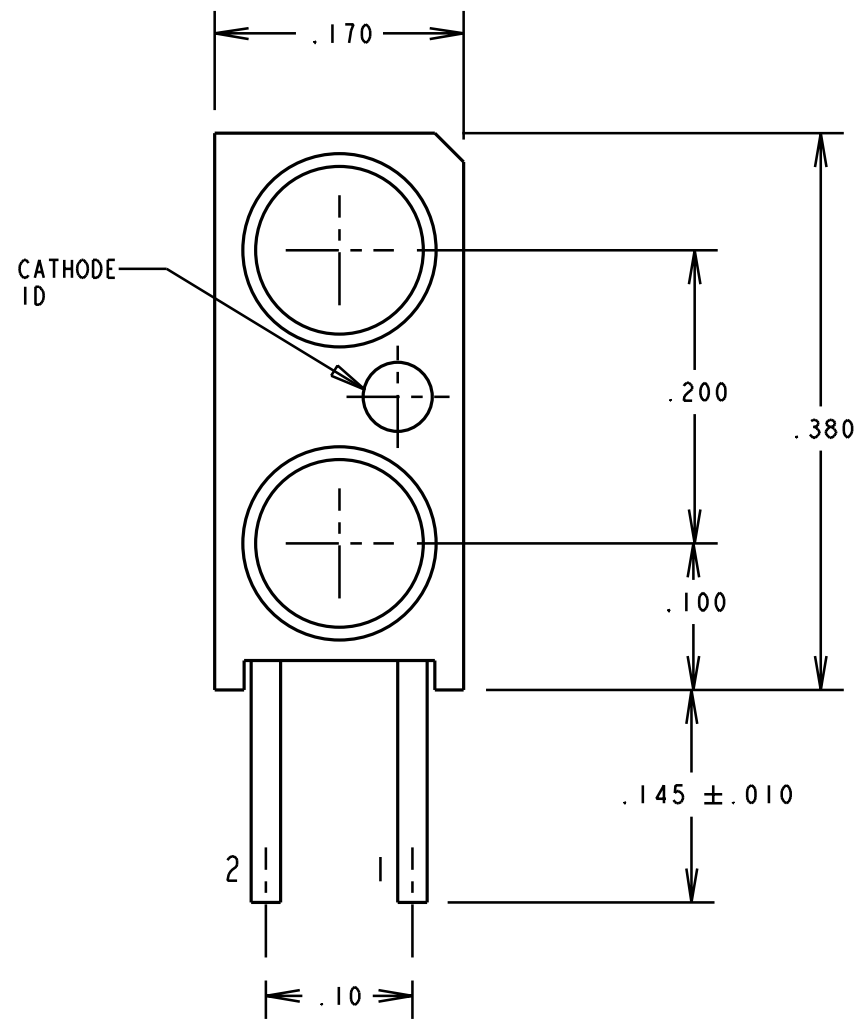
Tel: +86-755-8981 8866 Fax: +86-755-8427 6832

Email & Skype: info@chipsmall.com Web: www.chipsmall.com

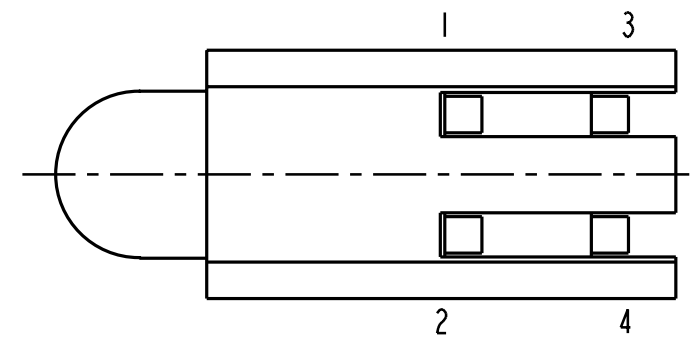
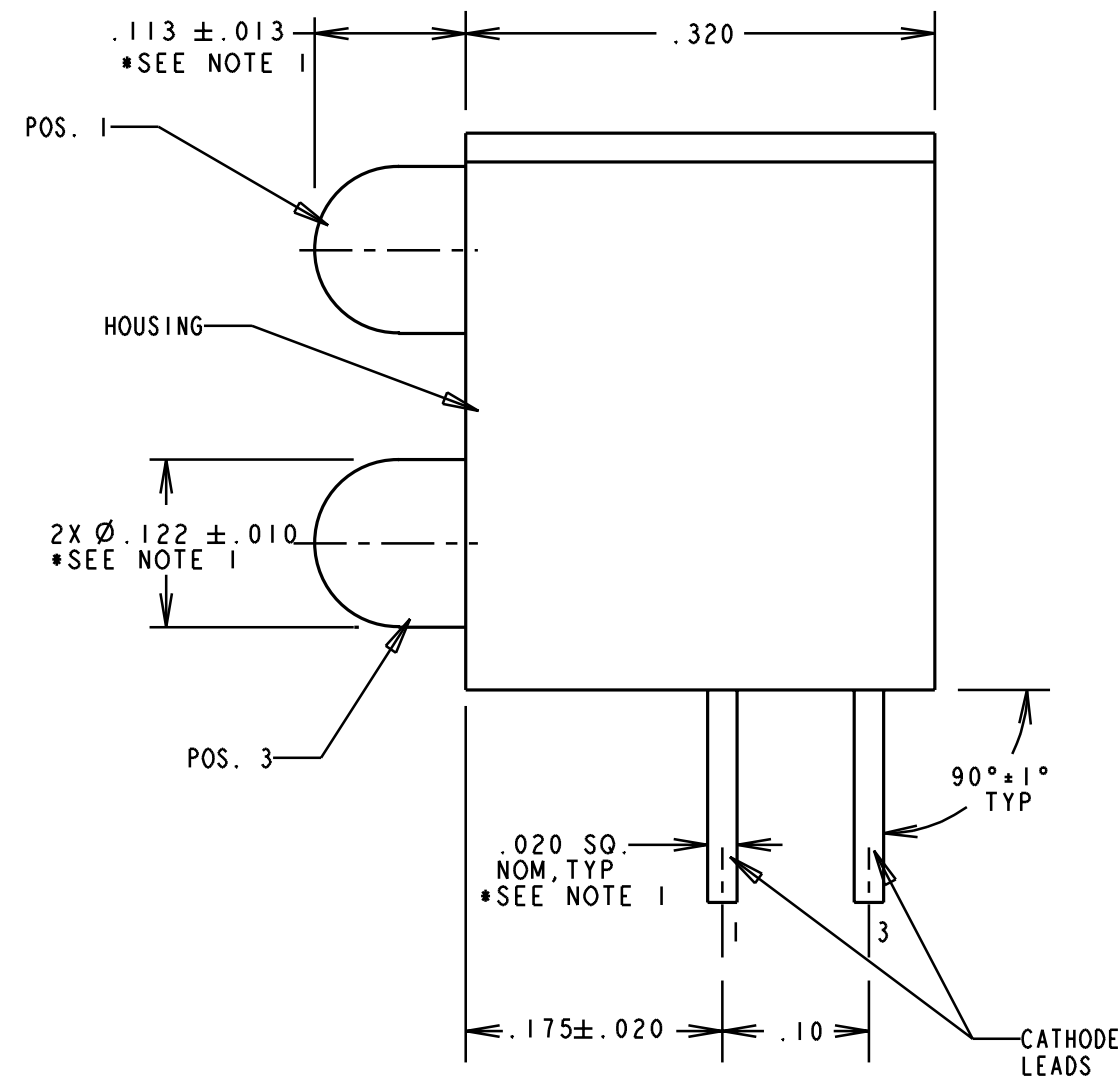
Address: A1208, Overseas Decoration Building, #122 Zhenhua RD., Futian, Shenzhen, China



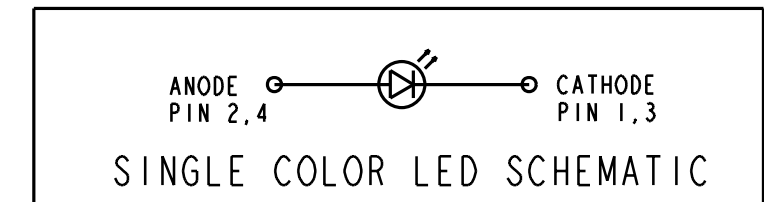
ASSY. NO. (CAT. NO.)	LED COLOR		NOTE
	POSITION 1	POSITION 2	
553-0101	BLANK	RED	
553-0102	BLANK	GREEN	
553-0103	BLANK	YELLOW	
553-0110	RED	BLANK	
553-0111	RED	RED	
553-0112	RED	GREEN	
553-0113	RED	YELLOW	
553-0120	GREEN	BLANK	
553-0121	GREEN	RED	
553-0122	GREEN	GREEN	
553-0123	GREEN	YELLOW	
553-0130	YELLOW	BLANK	
553-0131	YELLOW	RED	
553-0132	YELLOW	GREEN	
553-0133	YELLOW	YELLOW	
553-0188	BLUE	BLUE	**
553-0201	BLANK	RED	*
553-0202	BLANK	GREEN	*
553-0203	BLANK	YELLOW	*
553-0210	RED	BLANK	*
553-0211	RED	RED	*
553-0212	RED	GREEN	*
553-0213	RED	YELLOW	*
553-0220	GREEN	BLANK	*
553-0221	GREEN	RED	*
553-0222	GREEN	GREEN	*
553-0223	GREEN	YELLOW	*
553-0231	YELLOW	RED	*
553-0232	YELLOW	GREEN	*
553-0233	YELLOW	YELLOW	*
553-0301	BLANK	RED	*
553-0302	BLANK	GREEN	*
553-0303	BLANK	YELLOW	*
553-0310	RED	BLANK	*
553-0311	RED	RED	*
553-0312	RED	GREEN	*
553-0313	RED	YELLOW	*
553-0320	GREEN	BLANK	*
553-0321	GREEN	RED	*
553-0322	GREEN	GREEN	*
553-0323	GREEN	YELLOW	*
553-0331	YELLOW	RED	*
553-0332	YELLOW	GREEN	*
553-0333	YELLOW	YELLOW	*



RECOMMENDED PC BOARD HOLE PATTERN



REV.	ECN NO.	REVISIONS	DRN.	CKD.	APP.	DATE
A		NEW RELEASE	LR		N.O.	4-20-95
B		ADDED P/N 553-0188, NOTE 2, LED SPECS & "ATTENTION" NOTE.	TC	DC	N.O.	10-18-99
C		ADDED BOTTOM VIEW WITH PIN DESIGNATION AND SCHEMATIC.	TC	DC	N.O.	5-18-99
D		REVISED 5V RED, GREEN AND YELLOW LED SPECS.	TC	DC	N.O.	9-18-00
E		REVISED 2mA RED, GREEN AND YELLOW LED FORWARD VOLTAGE TYP. SPECS. AND RED LUMINOUS INTENSITY TYP. SPEC. ADDED NOTE 3 AND TITLE.		DC		



NOTE:

- \* DENOTES PARTS WITH LED PROTRUSION OF  $.103 \pm .013$ , WITH LEADS  $.018$  SQ. NOM., LED BODY  $\phi .115 \pm .010$  AND THE PC BOARD RECOMMENDED HOLE SIZE IS  $\phi .040 \pm .002$ .
  - DIALIGHT PART NUMBER: 553-0XXX
  - PIN NUMBER FOR REFERENCE ONLY, DESIGNATION NON-EXISTENT ON PARTS.
- \*\* ATTENTION: OBSERVE PRECAUTIONS FOR HANDLING ELECTROSTATIC SENSITIVE DEVICES.

10 ma LED. OPERATING CHARACTERISTICS AT $T_A = 25^\circ C$							
SYMBOL	PARAMETER	COLOR	MIN	TYP	MAX	UNITS	TEST COND.
$V_F$	FORWARD VOLTAGE	RED		2.0	3.0	V	$I_F = 10 \text{ mA}$
		YELLOW		2.1	3.0		
		GREEN		2.1	3.0		
		BLUE		3.5	4.2		
$V_R$		ALL	3			V	$I_F = 10 \mu A$
$\lambda_{PK}$	PEAK WAVELENGTH	RED		650		nm	MEASURED AT PEAK
		YELLOW		585			
		GREEN		563			
		BLUE		428			
$I_V$	LUMINOUS INTENSITY	RED	3.6	10.0		mcd	$I_F = 10 \text{ mA}$
		YELLOW	2.2	6.3			
		GREEN	5.6	16.0			
		BLUE	6.3		20		

2 ma LOW CURRENT LED. OPERATING CHARACTERISTICS AT $T_A = 25^\circ C$							
SYMBOL	PARAMETER	COLOR	MIN	TYP	MAX	UNITS	TEST COND.
$V_F$	FORWARD VOLTAGE	RED		1.7	2.2	V	$I_F = 2 \text{ mA}$
		YELLOW		1.8	2.7		
		GREEN		1.9	2.2		
$V_R$		ALL	5			V	$I_F = 50 \mu A$
$\lambda_{PK}$	PEAK WAVELENGTH	RED		635		nm	MEASURED AT PEAK
		YELLOW		583			
		GREEN		565			
$I_V$	LUMINOUS INTENSITY	RED	1.0	1.6		mcd	$I_F = 2 \text{ mA}$
		YELLOW	1.0	1.6			
		GREEN	1.0	1.6			

5 V., INTEGRAL RESISTOR LED OPERATING CHARACTERISTICS AT $T_A = 25^\circ C$							
SYMBOL	PARAMETER	COLOR	MIN	TYP	MAX	UNITS	TEST COND.
$I_F$	FORWARD CURRENT	RED		10	20	mA	$V_F = 5 \text{ V}$
		YELLOW		10	20		
		GREEN		10	20		
$V_R$		ALL	5			V	$I_F = 100 \mu A$
$\lambda_{PK}$	PEAK WAVELENGTH	RED		635		nm	MEASURED AT PEAK
		YELLOW		585			
		GREEN		565			
$I_V$	LUMINOUS INTENSITY	RED	8.7	29		mcd	$V_F = 5 \text{ V}$
		YELLOW	3.7	12.6			
		GREEN	5.6	19			

THIS DRAWING AND THE CONTENTS HEREIN ARE CONFIDENTIAL AND THE SOLE PROPERTY OF DIALIGHT. REPRODUCTION OF THIS DRAWING OR CONSTRUCTION OF ANY PARTS WITHIN THIS DRAWING ARE FORBIDDEN WITHOUT THE WRITTEN CONSENT OF DIALIGHT.		
SCALE 8:1	DRAWING NUMBER	REV
ALL DIM'S IN: INCHES	C-15967	E
TOLERANCES: UNLESS OTHERWISE SPECIFIED	TITLE 3mm LED BI-LEVEL CBI	
FRACTIONS: $\pm 1/64$	MATERIAL	
DECIMALS (.XX): $\pm .020$		
DECIMALS (.XXX): $\pm .015$		
ANGLES: $\pm 1^\circ$		
FINISH:	Dialight 1913 ATLANTIC AVE. MANASQUAN, N.J. 08736	
FSCM 83330	SHEET OF	FAMILY TABLES: