



Chipsmall Limited consists of a professional team with an average of over 10 year of expertise in the distribution of electronic components. Based in Hongkong, we have already established firm and mutual-benefit business relationships with customers from,Europe,America and south Asia,supplying obsolete and hard-to-find components to meet their specific needs.

With the principle of “Quality Parts,Customers Priority,Honest Operation,and Considerate Service”,our business mainly focus on the distribution of electronic components. Line cards we deal with include Microchip,ALPS,ROHM,Xilinx,Pulse,ON,Everlight and Freescale. Main products comprise IC,Modules,Potentiometer,IC Socket,Relay,Connector.Our parts cover such applications as commercial,industrial, and automotives areas.

We are looking forward to setting up business relationship with you and hope to provide you with the best service and solution. Let us make a better world for our industry!



## Contact us

Tel: +86-755-8981 8866 Fax: +86-755-8427 6832

Email & Skype: info@chipsmall.com Web: www.chipsmall.com

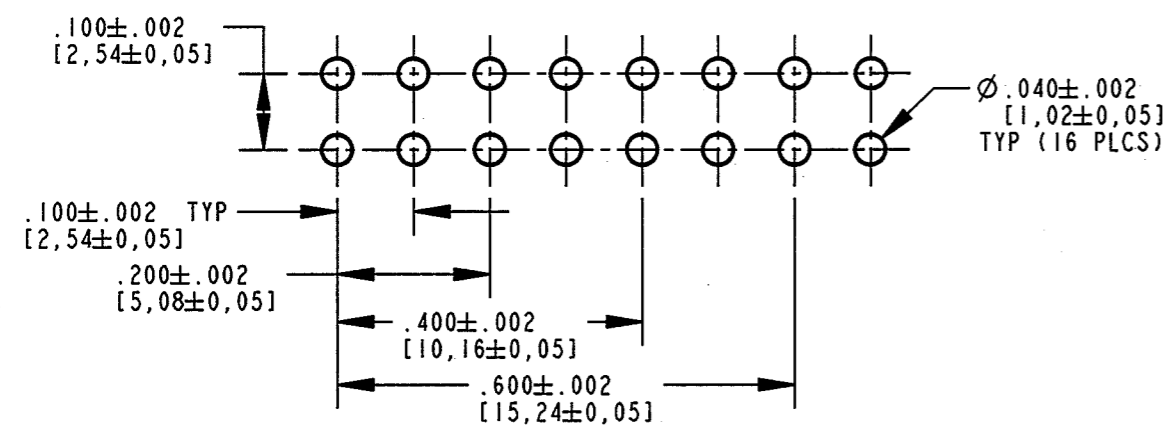
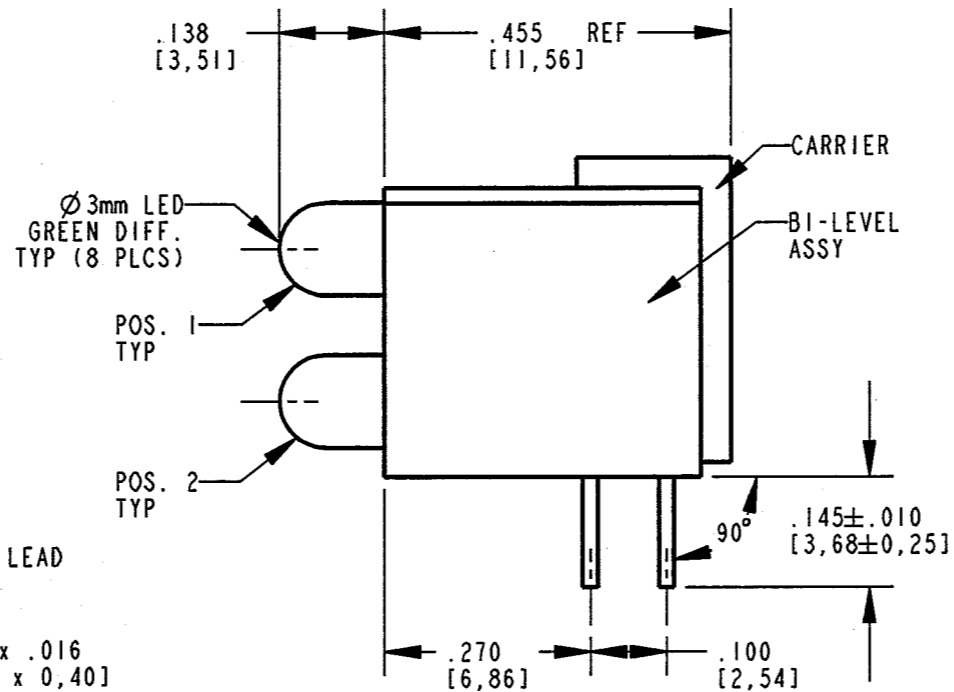
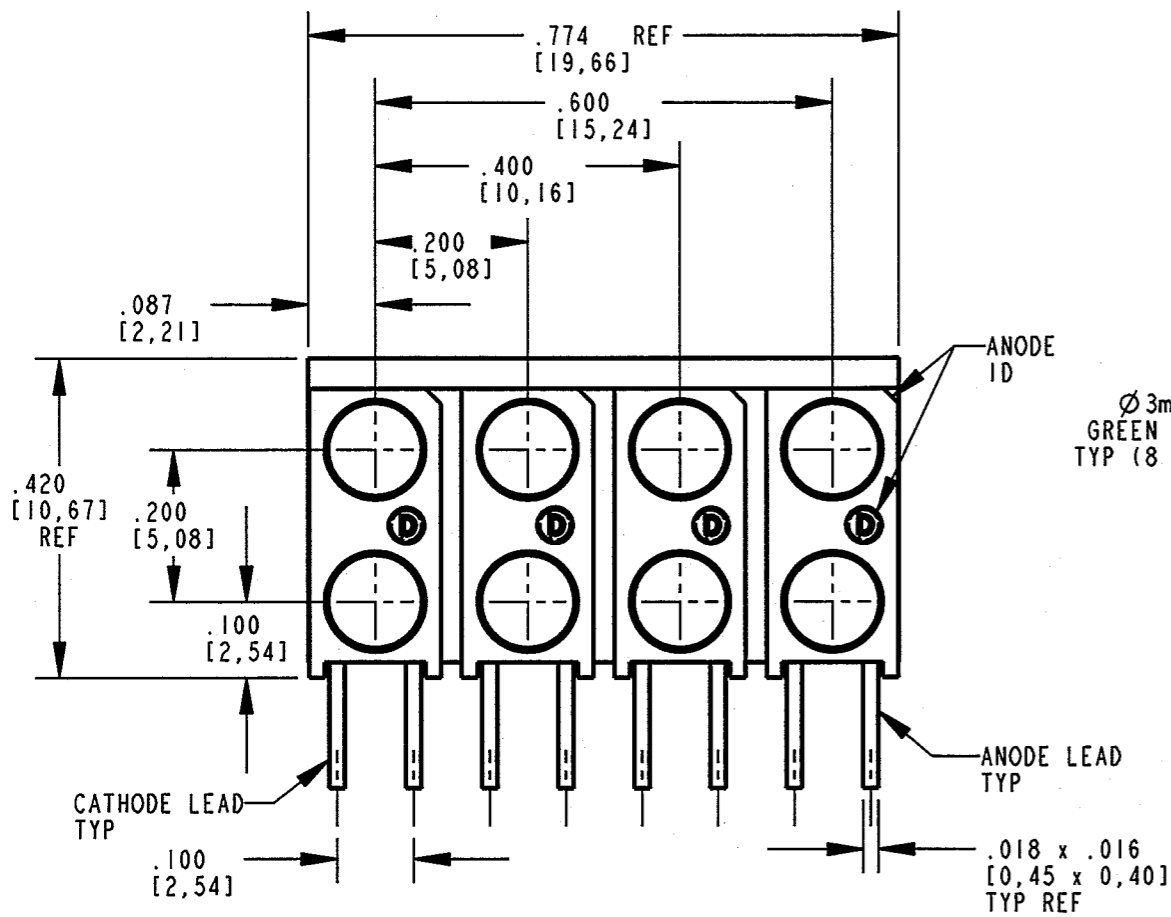
Address: A1208, Overseas Decoration Building, #122 Zhenhua RD., Futian, Shenzhen, China



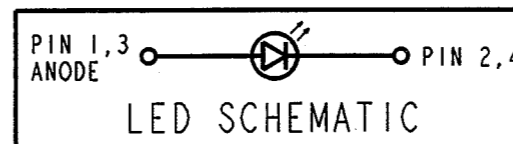
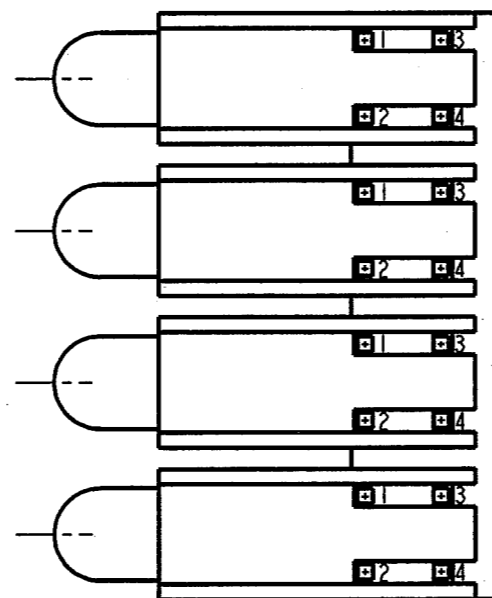
OPERATING CHARACTERISTICS AT 25°C AMBIENT					
CHARACTERISTICS	UNITS	VALUE			TEST CONDITIONS
		MIN	TYP	MAX	
LUMINOUS INTENSITY	mcd	0.4	1.1		$I_f = 2 \text{ mA}$
FORWARD VOLTAGE	V	1.9	2.2		$I_f = 2 \text{ mA}$
REVERSE CURRENT	$\mu\text{A}$			10	$V_r = 5 \text{ V}$
DOMINANT WAVELENGTH	nm		569		
PEAK WAVELENGTH	nm		565		
VIEWING ANGLE (2 $\theta$ 1/2)	DEG		60		

ABSOLUTE MAXIMUM RATINGS AT 25°C AMBIENT		
	VALUE	UNITS
POWER DISSIPATION	20	mW
CONTINUOUS FORWARD CURRENT	7	mA
PEAK FORWARD CURRENT (0.01 ms PULSE WIDTH)	60	mA
DERATING LINEAR FROM 90°C	0.7	mA/°C
REVERSE VOLTAGE	5	V
SOLDERING TEMPERATURE (.063 in FROM BODY, FOR 5 SEC)	260	°C
OPERATING TEMPERATURE	-55 TO +100	°C
STORAGE TEMPERATURE	-55 TO +100	°C

REV	ECN NO	REVISIONS	DRN	CKD	APR	DATE
A		NEW RELEASE	KLJ			11/4/08



RECOMMENDED HOLE PATTERN GAUGE



### RoHS COMPLIANT 553-0222-204F

Part Numbers with the "F" suffix ending are RoHS Compliant. Packaging is marked with "RoHS Compliant" label or equivalent markings. Parts can be wave soldered, dip soldered or hand soldered using typical lead-free soldering process with max 260°C temp. for 5 sec.

#### NOTES:

- LED LEAD DIMENSIONS SHOWN ARE MEASURED AT HOUSING EXIT.
- LEADS TO FIT INTO HOLES SPACED AS PER PATTERN.
- PIN NUMBERS FOR REFERENCE ONLY, DESIGNATION NON-EXISTENT ON PART.
- PACKAGE PARTS IN TUBE WITH TWO (2) END PLUGS. (29 PCS PER TUBE).
- DIALIGHT PART NUMBER: 553-0222-204F
- THIS ASSEMBLY CONTAINS ELECTROSTATIC DISCHARGE SENSITIVE DEVICES (ESDS). MAINTAIN ALL PRECAUTIONARY MEASURES DURING ASSEMBLY, HANDLING, AND STORAGE IN ACCORDANCE WITH IPC-A-610.



**ATTENTION:**  
OBSERVE PRECAUTIONS FOR  
HANDLING ELECTROSTATIC  
SENSITIVE DEVICES

THIS DRAWING AND THE CONTENTS HEREIN ARE CONFIDENTIAL AND THE SOLE PROPERTY OF DIALIGHT. REPRODUCTION OF THIS DRAWING OR CONSTRUCTION OF ANY PARTS WITHIN THIS DRAWING ARE FORBIDDEN WITHOUT THE WRITTEN CONSENT OF DIALIGHT.		
SCALE: 1.000 ALL DIM'S IN: INCHES (MM)	DRAWING NUMBER C-17678	REV A
TOLERANCES: UNLESS OTHERWISE SPECIFIED FRACTIONS: $\pm 1/64$ DECIMALS (.XX): $\pm .02$ DECIMALS (.XXX): $\pm .015$	TITLE Ø3mm GREEN 4 x 2 CBI BLOCK; REVERSE POLARITY; RoHS COMPLIANT	
ANGLES: $\pm 3^\circ$ FINISH:	MATERIAL	
FSCM 83330	Dialight 1501 ROUTE 34 SOUTH FARMINGDALE, NJ 07727	
	SHEET 1 OF 1	FAMILY TABLE: