



Chipsmall Limited consists of a professional team with an average of over 10 year of expertise in the distribution of electronic components. Based in Hongkong, we have already established firm and mutual-benefit business relationships with customers from,Europe,America and south Asia,supplying obsolete and hard-to-find components to meet their specific needs.

With the principle of “Quality Parts,Customers Priority,Honest Operation,and Considerate Service”,our business mainly focus on the distribution of electronic components. Line cards we deal with include Microchip,ALPS,ROHM,Xilinx,Pulse,ON,Everlight and Freescale. Main products comprise IC,Modules,Potentiometer,IC Socket,Relay,Connector.Our parts cover such applications as commercial,industrial, and automotives areas.

We are looking forward to setting up business relationship with you and hope to provide you with the best service and solution. Let us make a better world for our industry!



## Contact us

Tel: +86-755-8981 8866 Fax: +86-755-8427 6832

Email & Skype: info@chipsmall.com Web: www.chipsmall.com

Address: A1208, Overseas Decoration Building, #122 Zhenhua RD., Futian, Shenzhen, China

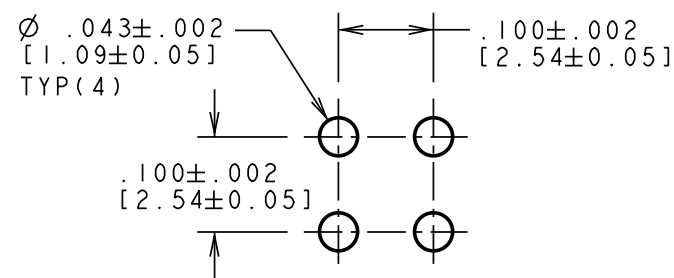
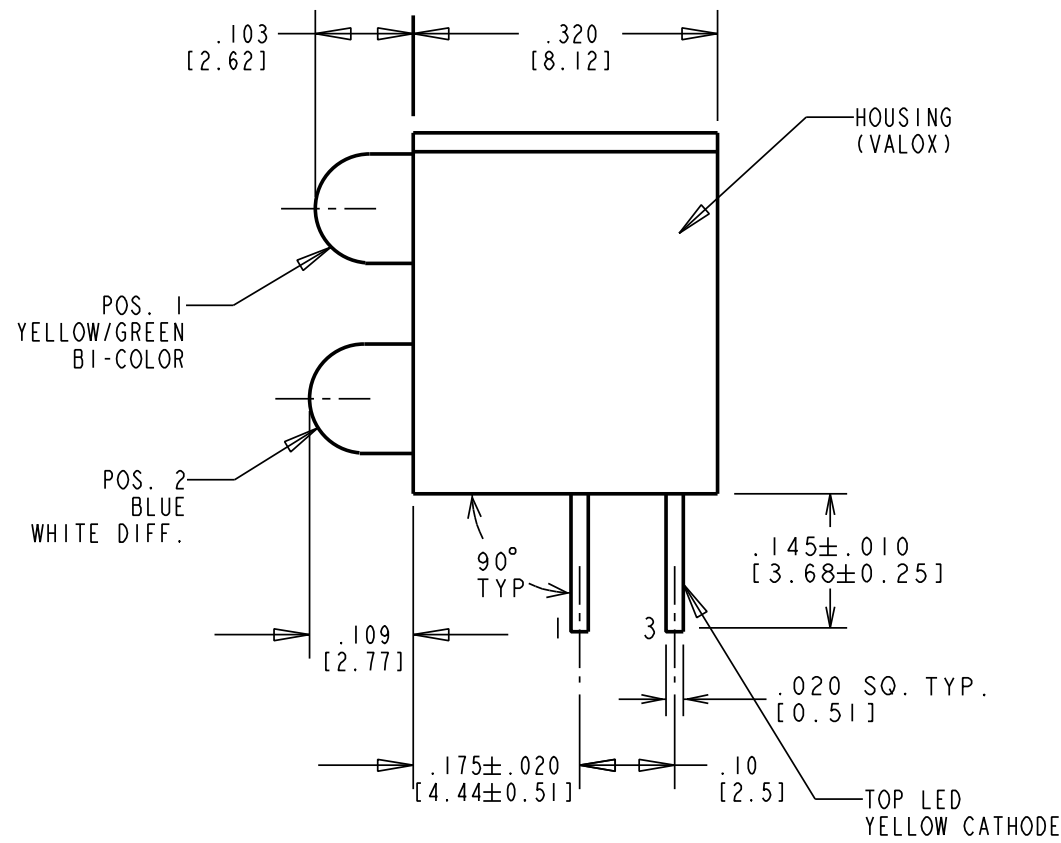
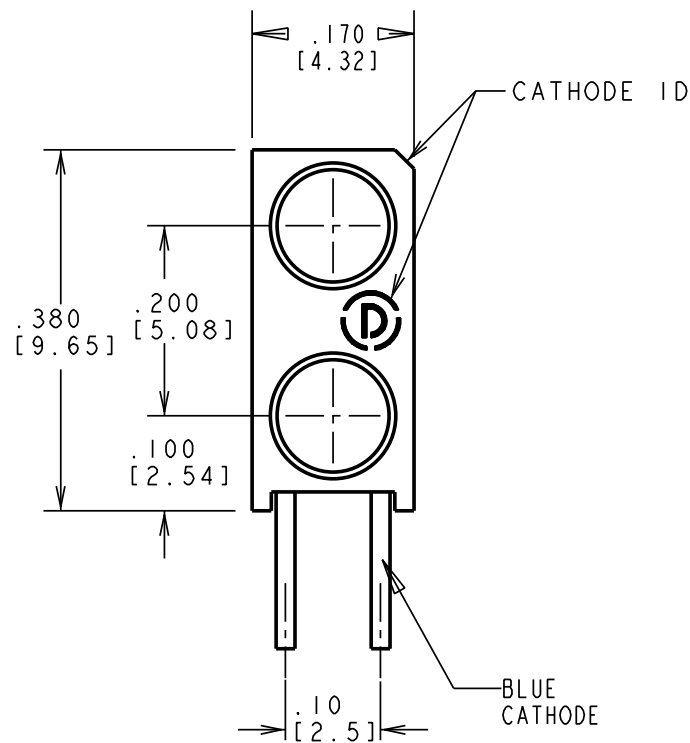


BLUE (WHITE DIFFUSED) LED OPERATING CHARACTERISTICS AT TA=25°C					
CHARACTERISTICS	MIN	TYP	MAX	UNITS	TEST COND.
FORWARD VOLTAGE		3.5	4.1	V	I <sub>f</sub> =10 mA
PEAK WAVELENGTH		428		nm	
DOMINANT WAVELENGTH	462	465	468	nm	
LUMINOUS INTENSITY	7.1	12.5	18	mc d	I <sub>f</sub> =10 mA
VIEWING ANGLE		70		DEG	

BLUE (WHITE DIFFUSED) LED		
ABSOLUTE MAXIMUM RATING AT 25 °C AMBIENT		UNITS
POWER DISSIPATION	90	mW
CONTINUOUS FORWARD CURRENT	20	mA
DERATE LINEARLY FROM 55°C	0.44	mA/°C
PEAK PULSE CURRENT, 10μs PULSE	120	mA
REVERSE VOLTAGE	5	V
LEAD SOLDERING TEMPERATURE, 5 SEC., 1/16" FROM BASE	260	°C
OPERATING TEMPERATURE	-55 TO +100	°C
STORAGE TEMPERATURE	-55 TO +100	°C

REV	ECN NO	REVISIONS	DRN	CKD	APP	DATE
A		NEW RELEASE	KLJ			

YELLOW/GREEN BI-COLOR LED OPERATING CHARACTERISTICS AT TA=25°C						
CHARACTERISTICS	COLOR	MIN	TYP	MAX	UNITS	TEST COND.
FORWARD VOLTAGE	YELLOW GREEN		2.1	2.8	V	I <sub>f</sub> =20 mA
PEAK WAVELENGTH	YELLOW GREEN		585	565	nm	
DOMINANT WAVELENGTH	YELLOW (Y2) YELLOW (Y3) GREEN	583 585	569	587 589	nm	MEASURED ON EXELTRON 2001
LUMINOUS INTENSITY	YELLOW GREEN	2.5	6.3 4.3		mc d	I <sub>f</sub> =10 mA
VIEWING ANGLE	YELLOW GREEN		80		DEG	I <sub>f</sub> =20 mA



RECOMMENDED PC BOARD HOLE PATTERN

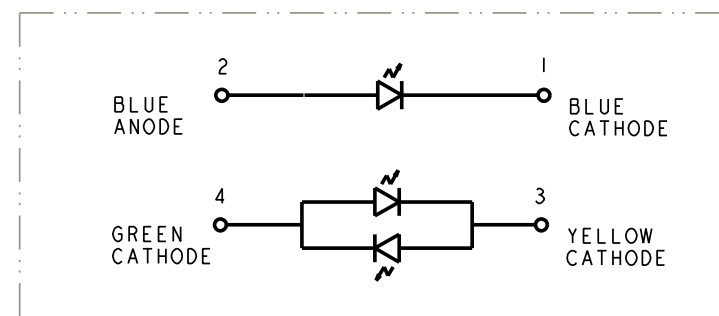
YELLOW/GREEN BI-COLOR LED			
ABSOLUTE MAXIMUM RATING AT 25 °C AMBIENT			UNITS
POWER DISSIPATION	100	60	mW
CONTINUOUS FORWARD CURRENT	30	20	mA
DERATE LINEARLY FROM 50°C	0.40	0.25	mA/°C
PEAK PULSE CURRENT, 10μs PULSE	120	80	mA
LEAD SOLDERING TEMPERATURE, 5 SEC., 1/16" FROM BASE	260		°C
OPERATING TEMPERATURE	-55 TO +100		°C
STORAGE TEMPERATURE	-55 TO +100		°C

NOTES:

- LEADS TO FIT INTO HOLES SPACED AS PER HOLE PATTERN.
- PIN NUMBERS FOR REFERENCE ONLY. DESIGNATION NON-EXISTENT ON PART.
- LED LEAD DIMENSIONS SHOWN ARE MEASURED AT HOUSING EXIT.
- DIALIGHT PART NUMBER: 553-0748-857F.
- THIS ASSEMBLY CONTAINS ELECTROSTATIC DISCHARGE SENSITIVE DEVICES (ESDS). MAINTAIN ALL PRECAUTIONARY MEASURES DURING ASSEMBLY, HANDLING, AND STORAGE IN ACCORDANCE WITH IPC-A-610.

**RoHS Compliant 553-0748-857F**

Part Numbers with the "F" suffix ending are RoHS Compliant. Reel and bag packaging are marked with "RoHS Compliant" label or equivalent markings. These parts can be used with RoHS reflow profile. Parts can be wave soldered, dip soldered or hand soldered using typical lead-free soldering process with max 260°C temp. for 5 sec.



SCHMATIC

THIS DRAWING AND THE CONTENTS HEREIN ARE CONFIDENTIAL AND THE SOLE PROPERTY OF DIALIGHT. REPRODUCTION OF THIS DRAWING OR CONSTRUCTION OF ANY PARTS WITHIN THIS DRAWING ARE FORBIDDEN WITHOUT THE WRITTEN CONSENT OF DIALIGHT.

SCALE: DRAWING SCALE ALL DIM'S IN: INCHES (MM)	DRAWING NUMBER C-17566	REV A
TOLERANCES: UNLESS OTHERWISE SPECIFIED	TITLE 3mm LED BI-LEVEL CBI RoHS COMPLIANT	
FRACTIONS: ±1/64 DECIMALS (.XX): ±.01 DECIMALS (.XXX): ±.005 DECIMALS (.XXXX): ±.0005 ANGLES: ±1°	MATERIAL	
FINISH:	Dialight 1501 ROUTE 34 SOUTH FARMINGDALE, NJ 07727	
FSCM 83330	SHEET 11 OF 11 FAMILY TABLE:	