



Chipsmall Limited consists of a professional team with an average of over 10 year of expertise in the distribution of electronic components. Based in Hongkong, we have already established firm and mutual-benefit business relationships with customers from,Europe,America and south Asia,supplying obsolete and hard-to-find components to meet their specific needs.

With the principle of “Quality Parts,Customers Priority,Honest Operation,and Considerate Service”,our business mainly focus on the distribution of electronic components. Line cards we deal with include Microchip,ALPS,ROHM,Xilinx,Pulse,ON,Everlight and Freescale. Main products comprise IC,Modules,Potentiometer,IC Socket,Relay,Connector.Our parts cover such applications as commercial,industrial, and automotives areas.

We are looking forward to setting up business relationship with you and hope to provide you with the best service and solution. Let us make a better world for our industry!



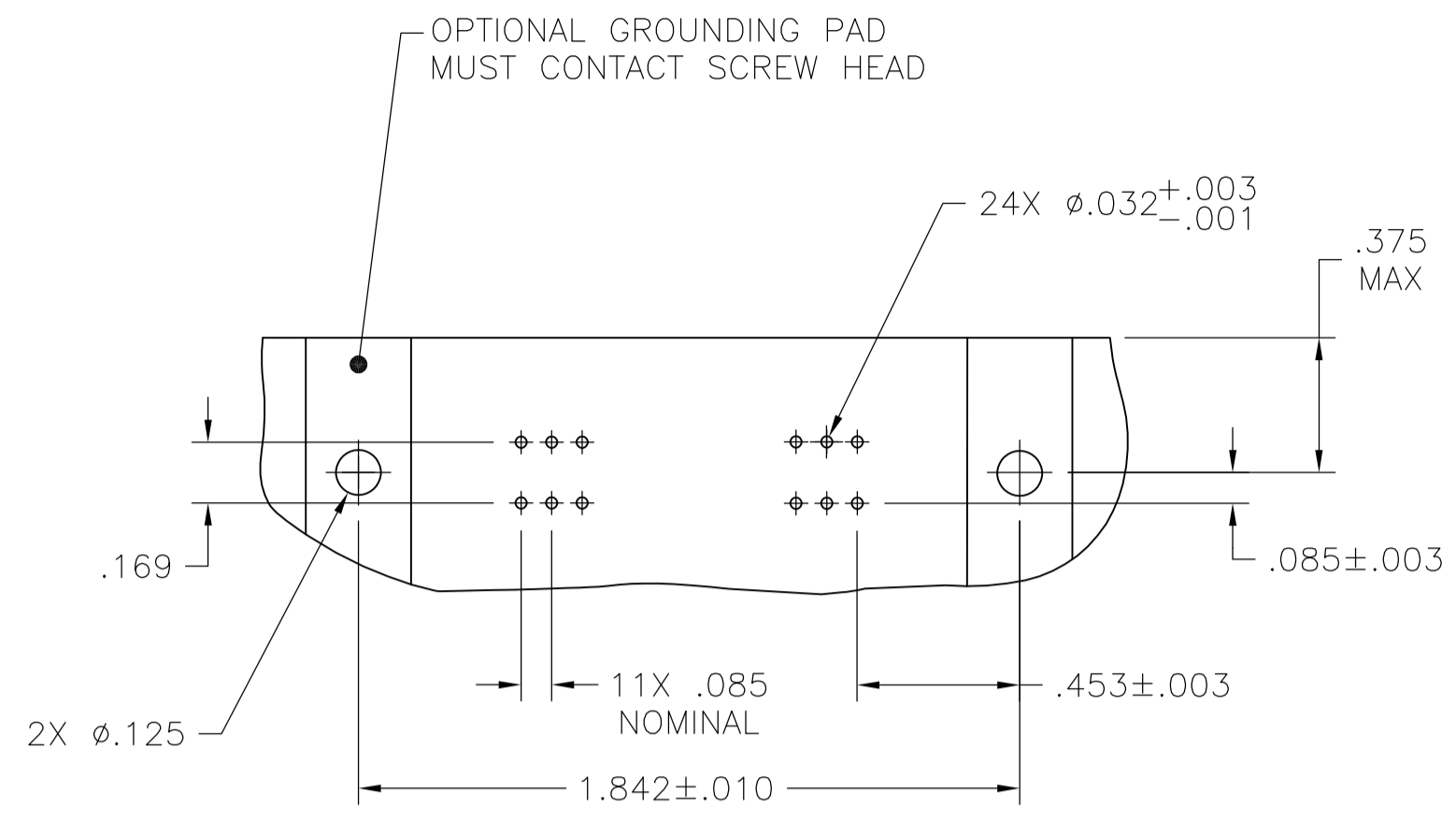
Contact us

Tel: +86-755-8981 8866 Fax: +86-755-8427 6832

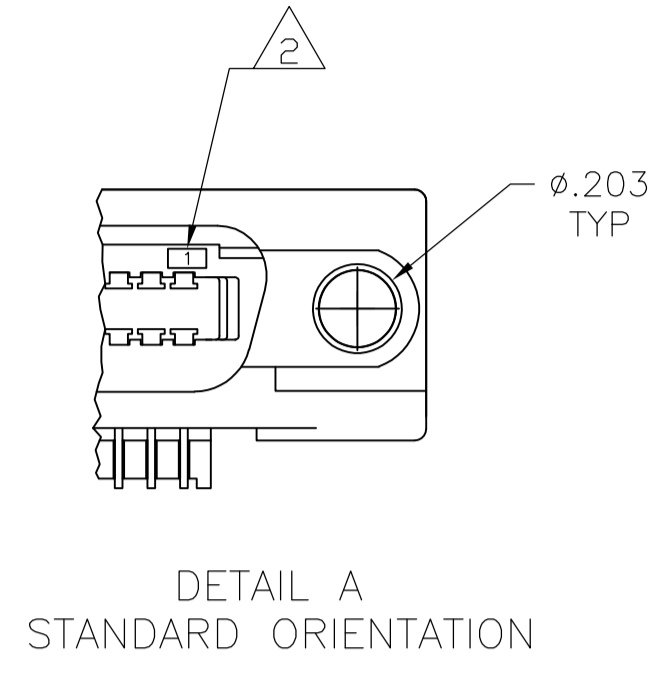
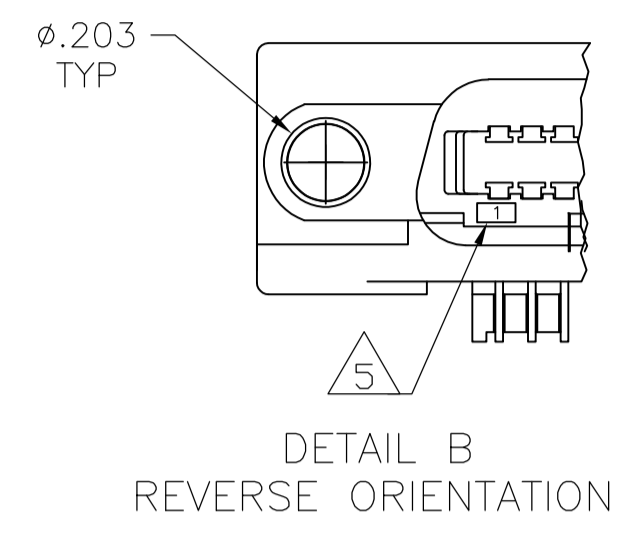
Email & Skype: info@chipsmall.com Web: www.chipsmall.com

Address: A1208, Overseas Decoration Building, #122 Zhenhua RD., Futian, Shenzhen, China

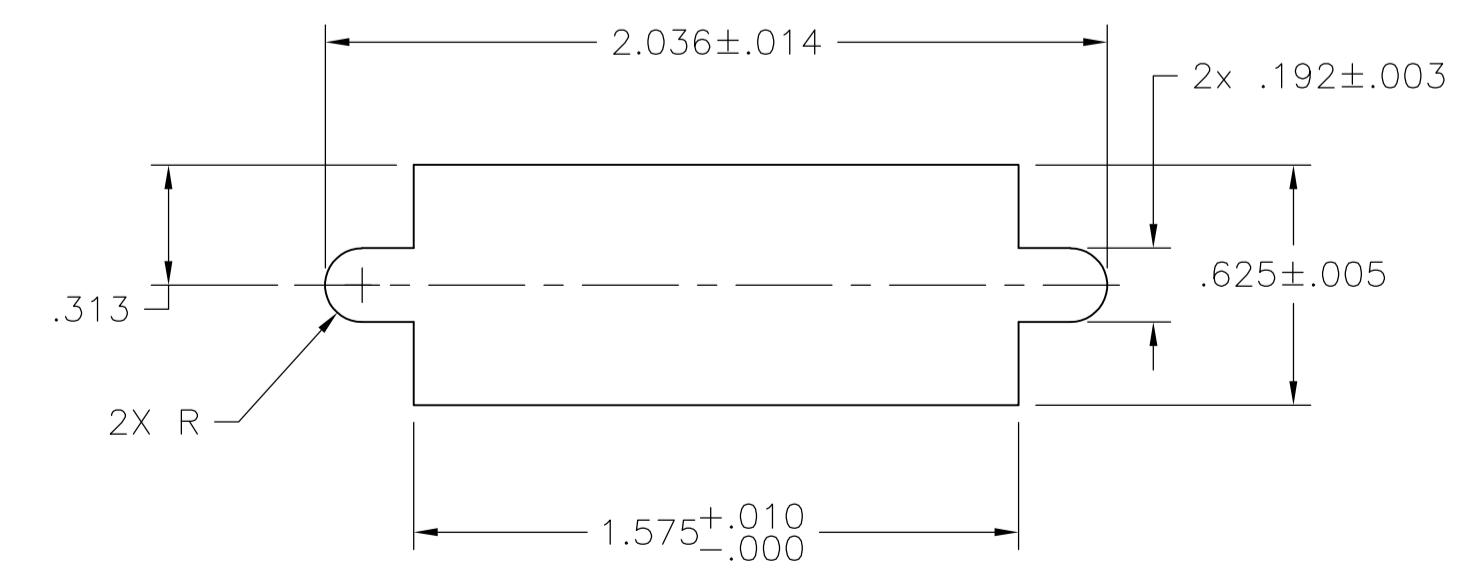
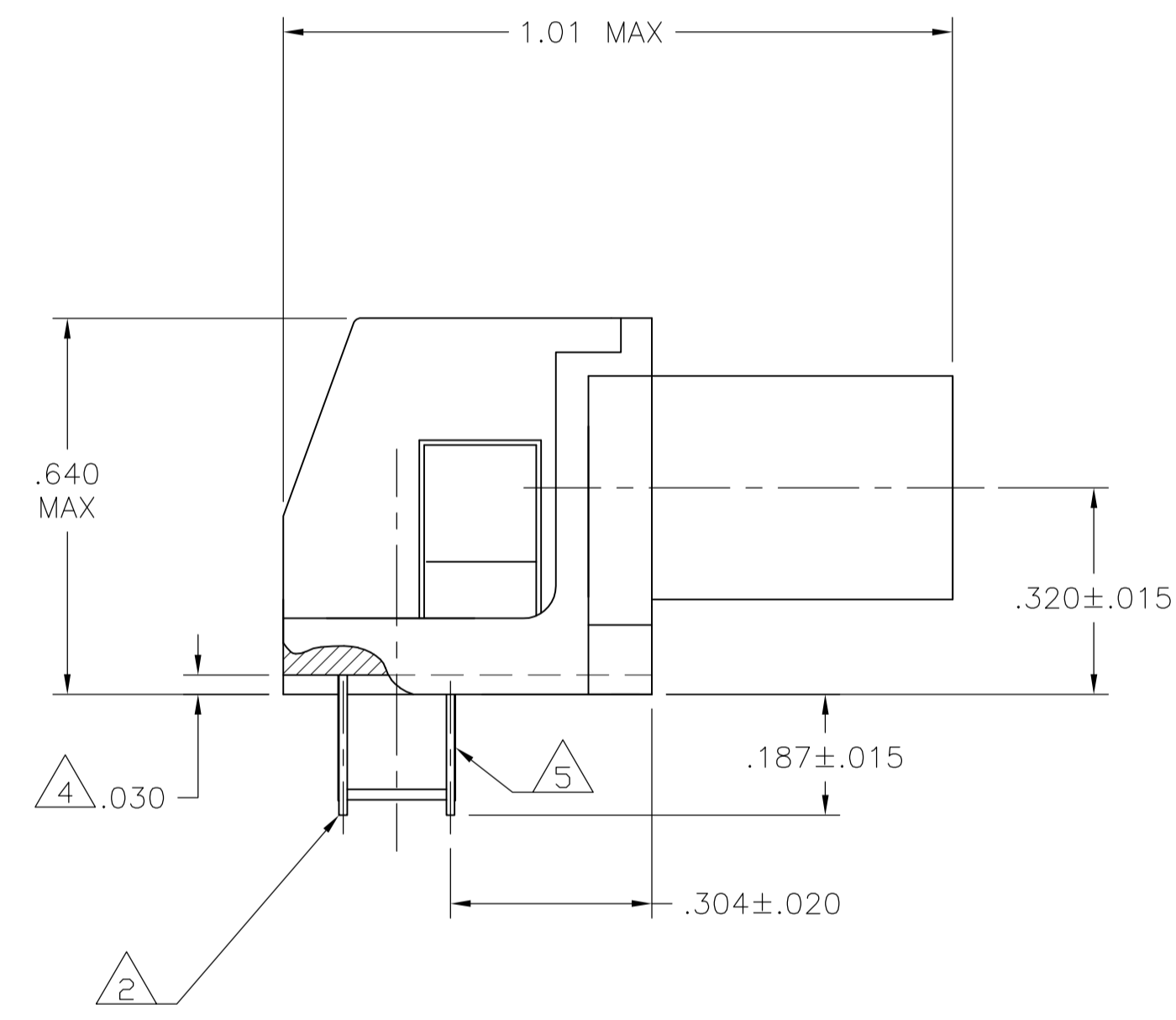
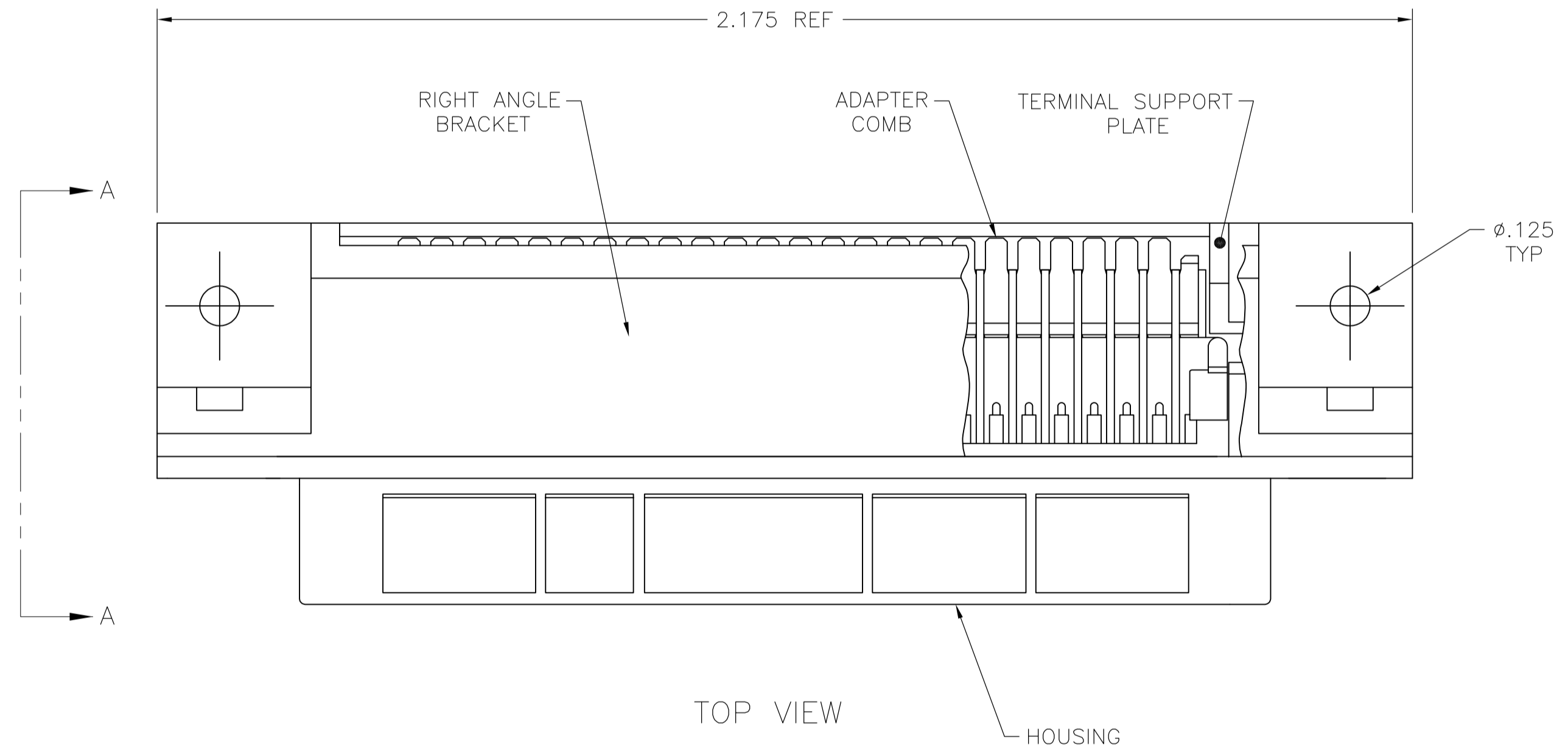




SUGGESTED PRINTED CIRCUIT BOARD MOUNTING DIMENSIONS



- 1 MATERIAL:
HOUSING, RIGHT ANGLE BRACKET, ADAPTER COMB & SUPPORT PLATE - THERMOPLASTIC, BLACK.
TERMINALS - HIGH STRENGTH COPPER ALLOY PLATED WITH EITHER .000030 MIN GOLD PLATE OR GOLD FLASH OVER PALLADIUM NICKEL PLATE, .000030 MIN TOTAL ON MATING SURFACE. .000120 MIN TIN-LEAD PLATE ON TAILS. ALL OVER .000050 MIN NICKEL UNDERPLATE OVER ENTIRE TERMINAL.
- 2 TERMINAL 1 IS LOCATED IN THIS ROW FOR STANDARD ORIENTATION, SEE DETAIL A.
- 3 PANEL THICKNESS RANGE: .125 MAX.
- 4 SUPPORT PLATE CLEARANCE FOR TERMINAL STRAIN RELIEF AND FLUX REMOVAL.
- 5 TERMINAL 1 IS LOCATED IN THIS ROW FOR REVERSE ORIENTATION, SEE DETAIL B.



SEE DETAIL B/5	553121-2
SEE DETAIL A/2	553121-1
DESCRIPTION	PART NUMBER

THIS DRAWING IS A CONTROLLED DOCUMENT.		DIN Z. REAM 2/APR/07	Tyco Electronics Corporation Harrisburg, PA 17105-3608	
DIMENSIONS: INCHES		CHK: W. MILLHIMES 2/APR/07	NAME: ASSEMBLY, EMI, RECEPTACLE 24 POSITION, RIGHT ANGLE	
TOLERANCES UNLESS OTHERWISE SPECIFIED:		APVD: W. MILLHIMES 2/APR/07	RESTRICTED TO	
0 PLC	\pm -	PRODUCT SPEC	SIZE	CAGE CODE
1 PLC	\pm -	APPLICATION SPEC	A1	00779
2 PLC	\pm -	WEIGHT	SCALE	2:1
3 PLC	\pm .005		SHEET	1 OF 1
4 PLC	\pm -		REV	D
ANGLES	\pm -			
MATERIAL	FINISH	CUSTOMER DRAWING		