



Chipsmall Limited consists of a professional team with an average of over 10 year of expertise in the distribution of electronic components. Based in Hongkong, we have already established firm and mutual-benefit business relationships with customers from,Europe,America and south Asia,supplying obsolete and hard-to-find components to meet their specific needs.

With the principle of “Quality Parts,Customers Priority,Honest Operation,and Considerate Service”,our business mainly focus on the distribution of electronic components. Line cards we deal with include Microchip,ALPS,ROHM,Xilinx,Pulse,ON,Everlight and Freescale. Main products comprise IC,Modules,Potentiometer,IC Socket,Relay,Connector.Our parts cover such applications as commercial,industrial, and automotives areas.

We are looking forward to setting up business relationship with you and hope to provide you with the best service and solution. Let us make a better world for our industry!



## Contact us

Tel: +86-755-8981 8866 Fax: +86-755-8427 6832

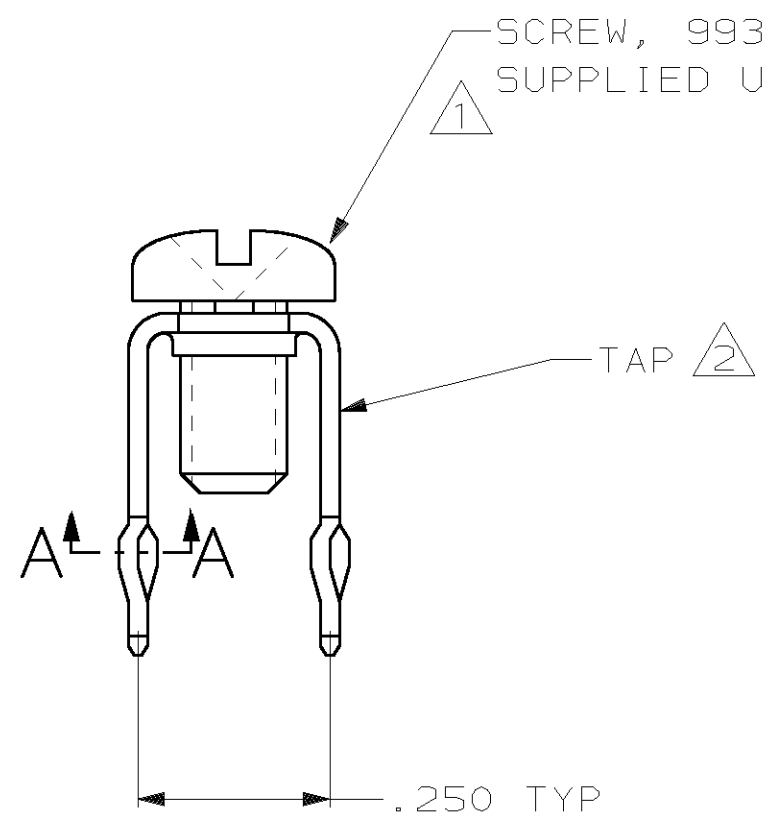
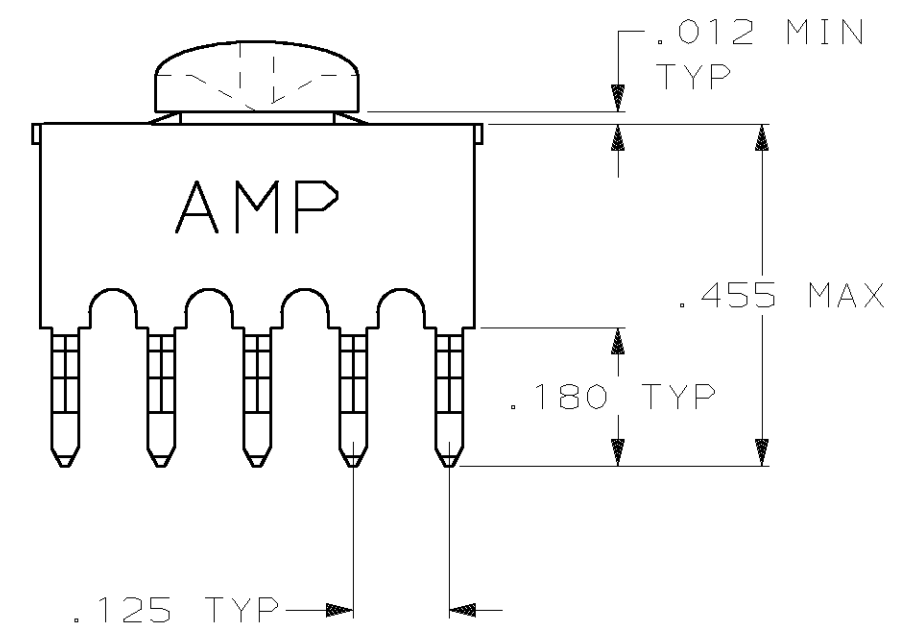
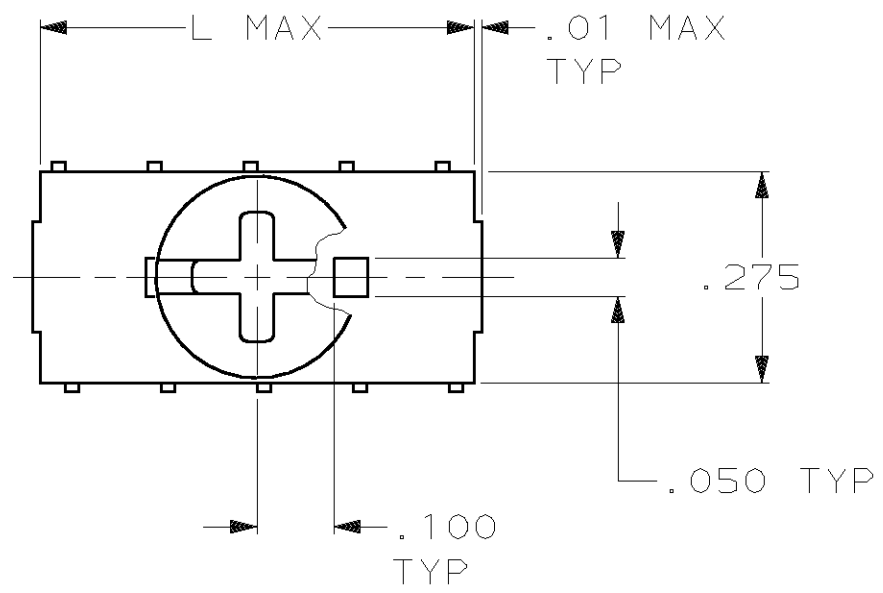
Email & Skype: info@chipsmall.com Web: www.chipsmall.com

Address: A1208, Overseas Decoration Building, #122 Zhenhua RD., Futian, Shenzhen, China



THIS DRAWING IS UNPUBLISHED. RELEASED FOR PUBLICATION, 19  
 © COPYRIGHT 19 BY AMP INCORPORATED. ALL INTERNATIONAL RIGHTS RESERVED.

MOD	LOC	DIST	P	F	ZONE	LTR	DESCRIPTION	DATE	APPD
	GP	00				M	REV PER OUE0-0037-01	17OCT01	JR



SCREW, 993879-1  
 SUPPLIED UNASSEMBLED, SEE TABLE

- 1 TO PREVENT THREAD STRIPPING, SCREW TORQUE SHOULD NOT EXCEED 9 IN LBS.
- 2 TAP HOLE IS 6-32UNC-2B, TWO MIN THREADS.
- 3 FINISH .000150 BRIGHT TIN-LEAD OVER .000050 NICKEL.



SECTION A-A  
 SCALE 10:1  
 10 PLACES

.57	YES	10	1-55323-0
.32	YES	6	55323-9
.57	NO	10	55323-6
.32	NO	6	55323-5
L	993879-1	NUMBER OF POSN	PART NO

DO NOT SCALE PRINT. UNLESS SPECIFIED DIMENSIONS IN INCHES TOLERANCES ON: 2 PLC DEC ± - 3 PLC DEC ± .008 ANGLES ± -	DR 1-11-88 J. McCLINTON CHK 1-11-88 R. STONE APPD 1-15-88 M. GALLOWAY APPD 1-15-88 M. GALLOWAY PRODUCT SPEC APPLICATION SPEC WEIGHT
MATERIAL COPPER ALLOY 725, .025 THICK	
FINISH 3	

<b>AMP</b>   AMP INCORPORATED Harrisburg, Pa. 17105		
NAME TAP, POWER DISTRIBUTION		
SIZE <b>B</b>	FSCM NO 00779	DRAWING NO 55323
SCALE 4:1	SHEET 1 OF 1	