



Chipsmall Limited consists of a professional team with an average of over 10 year of expertise in the distribution of electronic components. Based in Hongkong, we have already established firm and mutual-benefit business relationships with customers from,Europe,America and south Asia,supplying obsolete and hard-to-find components to meet their specific needs.

With the principle of "Quality Parts,Customers Priority,Honest Operation,and Considerate Service",our business mainly focus on the distribution of electronic components. Line cards we deal with include Microchip,ALPS,ROHM,Xilinx,Pulse,ON,Everlight and Freescale. Main products comprise IC,Modules,Potentiometer,IC Socket,Relay,Connector.Our parts cover such applications as commercial,industrial, and automotives areas.

We are looking forward to setting up business relationship with you and hope to provide you with the best service and solution. Let us make a better world for our industry!



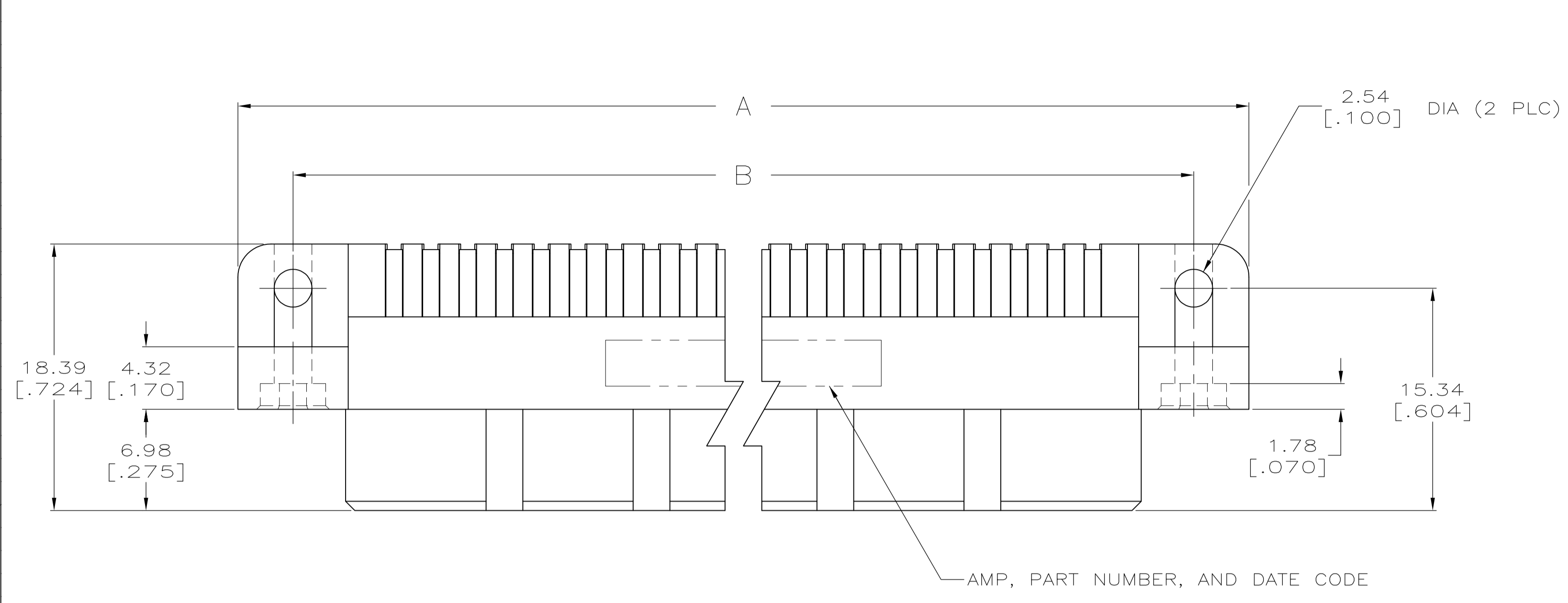
Contact us

Tel: +86-755-8981 8866 Fax: +86-755-8427 6832

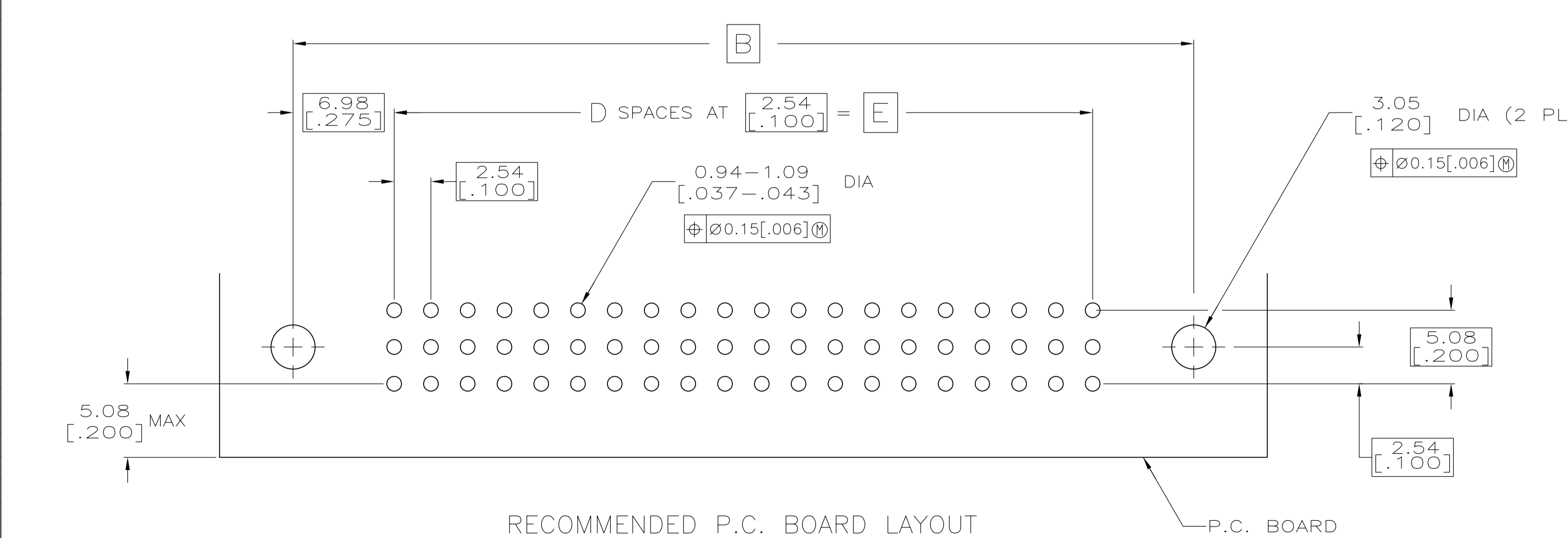
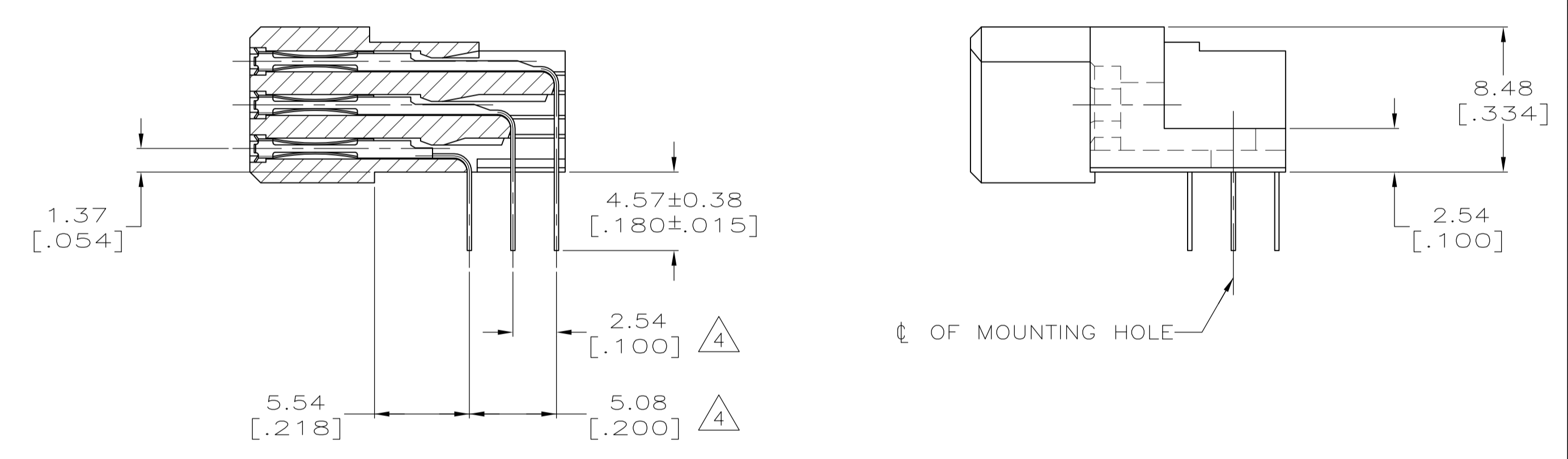
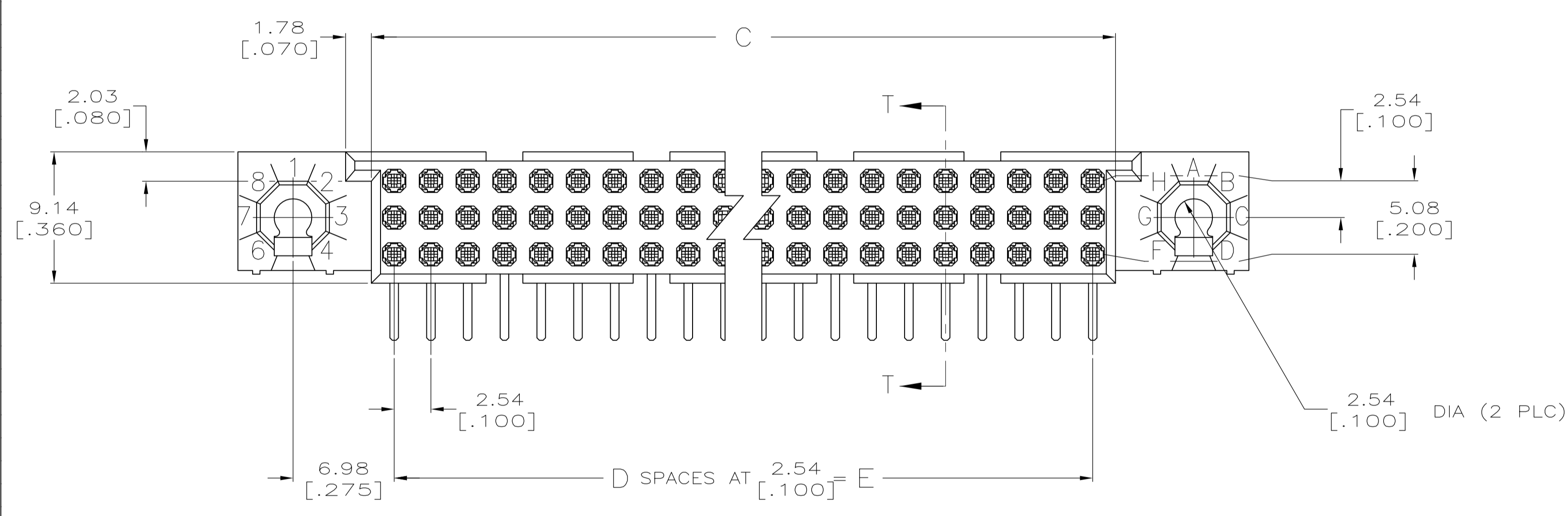
Email & Skype: info@chipsmall.com Web: www.chipsmall.com

Address: A1208, Overseas Decoration Building, #122 Zhenhua RD., Futian, Shenzhen, China





- 1 HOUSING MATERIAL: THERMOPLASTIC.
- 2 CONTACT MATERIAL: COPPER ALLOY.
- 3 CONTACT FINISH: .00127-.00254 [.000050-.000100] NICKEL UNDERPLATE ALL OVER; .00076 [.000030] GOLD PLATE IN CONTACT AREA, TIN PLATED SOLDER TAILS.
- 4 SOLDER TAILS MUST FIT HOLE PATTERN AS SHOWN ON THE RECOMMENDED P.C. BOARD LAYOUT.
- 5. DIMENSIONS IN BRACKETS ARE IN INCHES.
- 6 HOUSINGS WITH CENTER MOUNTING IS RECOMMENDED FOR ASSEMBLIES HAVING 75 CONTACTS PER ROW OR MORE.
- 7 OBSOLETE PARTS: OBSOLETE CIS STREAMLINING PER D.RENAUD/D.SINISI



7	OBSOLETE	27.94 [1.100]	11	31.09 [1.224]	41.91 [1.650]	49.53 [1.950]	36	-2-5532431-4-	
7	OBSOLETE	43.18 [1.700]	17	46.33 [1.824]	57.15 [2.250]	64.77 [2.550]	54	-2-5532431-2-	
6	7	OBSOLETE	210.82 [8.300]	83	213.97 [8.424]	224.79 [8.850]	232.41 [9.150]	252	-1-5532431-9-
6	7	OBSOLETE	200.66 [7.900]	79	203.81 [8.024]	214.63 [8.450]	222.25 [8.750]	240	-1-5532431-3-
6	7	OBSOLETE	187.96 [7.400]	74	191.11 [7.524]	201.93 [7.950]	209.55 [8.250]	225	-1-5532431-2-
			69	175.26 [6.900]	178.41 [7.024]	189.23 [7.450]	196.85 [7.750]	210	1-5532431-1
			59	149.86 [5.900]	153.01 [6.024]	163.83 [6.450]	171.45 [6.750]	180	-5532431-9-
			54	137.16 [5.400]	140.31 [5.524]	151.13 [5.950]	158.75 [6.250]	165	5532431-8
7	OBSOLETE	124.46 [4.900]	49	127.61 [5.024]	138.43 [5.450]	146.05 [5.750]	150	-5532431-7-	
			39	99.06 [3.900]	102.21 [4.024]	113.03 [4.450]	120.65 [4.750]	120	-5532431-5-
			31	78.74 [3.100]	81.89 [3.224]	92.71 [3.650]	100.33 [3.950]	96	5532431-3
			24	60.96 [2.400]	64.11 [2.524]	74.93 [2.950]	82.55 [3.250]	75	5532431-1
			E	D	C	B	A	POSN	PART NUMBER

THIS DRAWING IS A CONTROLLED DOCUMENT.

DIMENSIONS: mm [INCHES]

TOLERANCES UNLESS OTHERWISE SPECIFIED:

0 PLC	±	-
1 PLC	±	-
2 PLC	±	0.13[.005]
3 PLC	±	-
4 PLC	±	-
ANGLES	±	-

MATERIAL: 1, 2, 3

FINISH: 3

APPROVED: J. POLIGNONE, A. SHARPE

DATE: 10JUN05

NAME: ASSEMBLY, RECEPTACLE, RIGHT ANGLE, HDI, LEAD-FREE, 3 ROW, WITHOUT GUIDES, 4.57[.180] SOLDER POSTS

SIZE: A1

WEIGHT: -

CAGE CODE: 00779

DRAWING NO: 5532431

RESTRICTED TO: -

CUSTOMER DRAWING

SCALE: 4:1

SHEET: 1 of 1

REV: P