



Chipsmall Limited consists of a professional team with an average of over 10 year of expertise in the distribution of electronic components. Based in Hongkong, we have already established firm and mutual-benefit business relationships with customers from,Europe,America and south Asia,supplying obsolete and hard-to-find components to meet their specific needs.

With the principle of “Quality Parts,Customers Priority,Honest Operation,and Considerate Service”,our business mainly focus on the distribution of electronic components. Line cards we deal with include Microchip,ALPS,ROHM,Xilinx,Pulse,ON,Everlight and Freescale. Main products comprise IC,Modules,Potentiometer,IC Socket,Relay,Connector.Our parts cover such applications as commercial,industrial, and automotives areas.

We are looking forward to setting up business relationship with you and hope to provide you with the best service and solution. Let us make a better world for our industry!



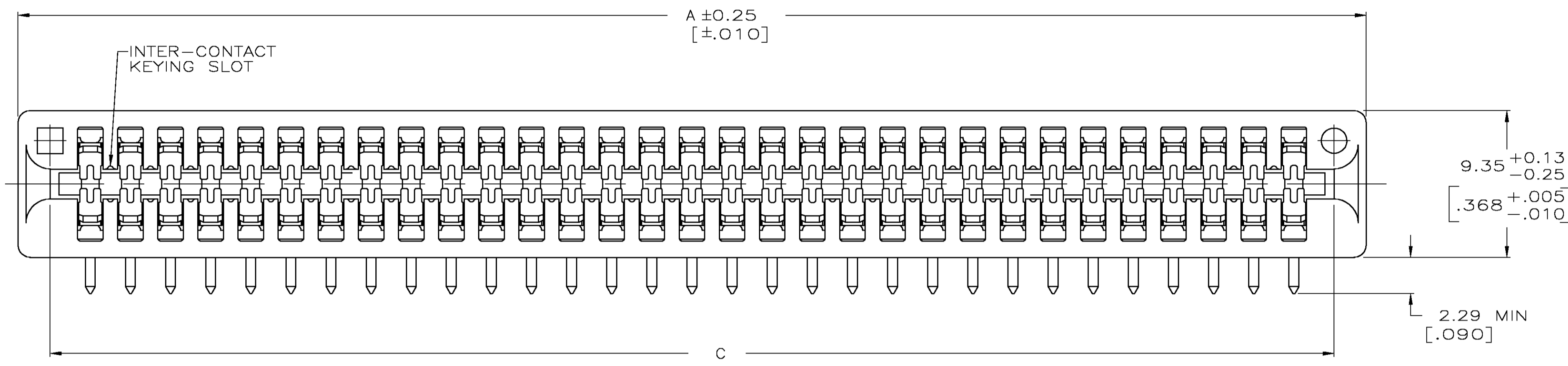
Contact us

Tel: +86-755-8981 8866 Fax: +86-755-8427 6832

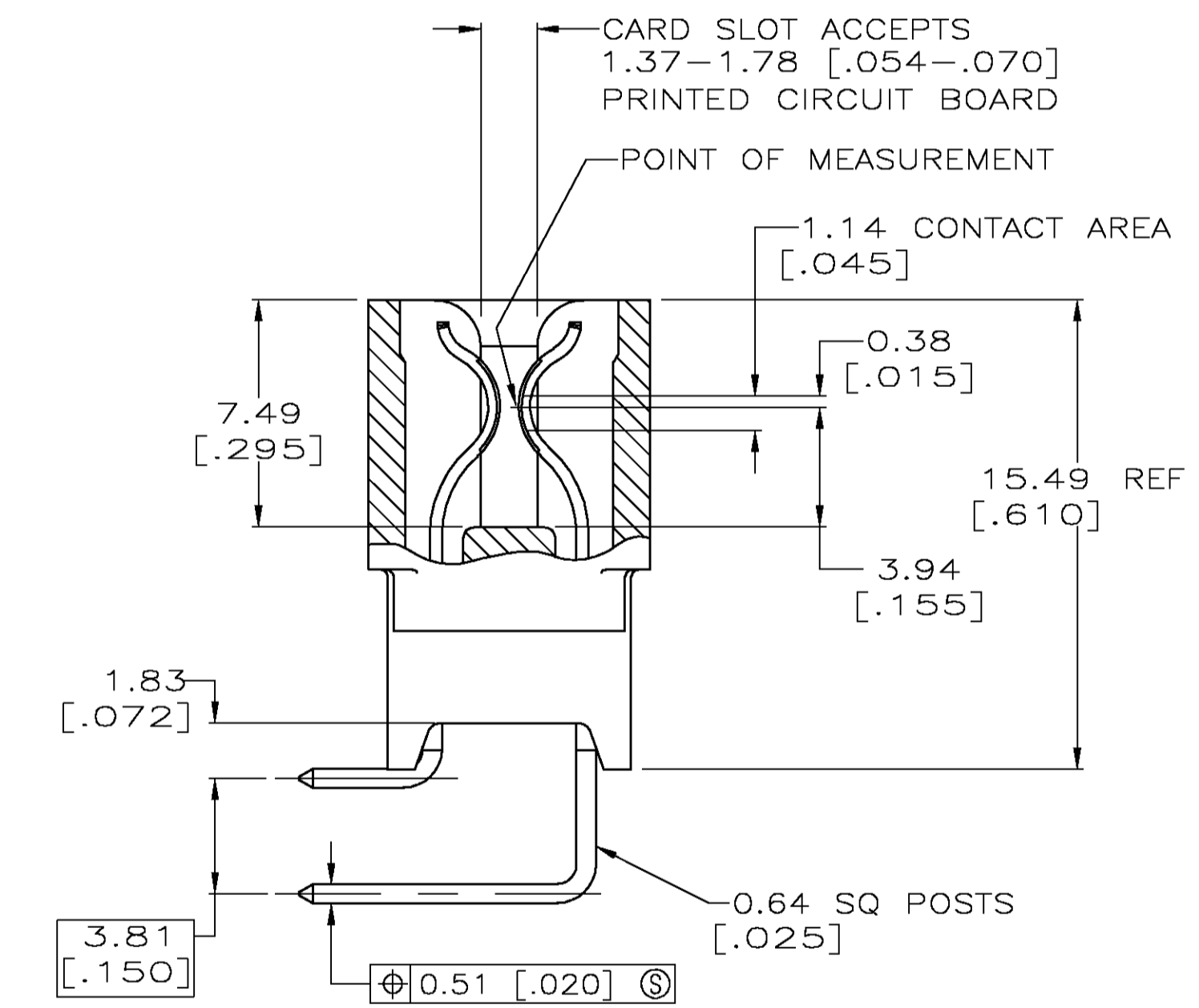
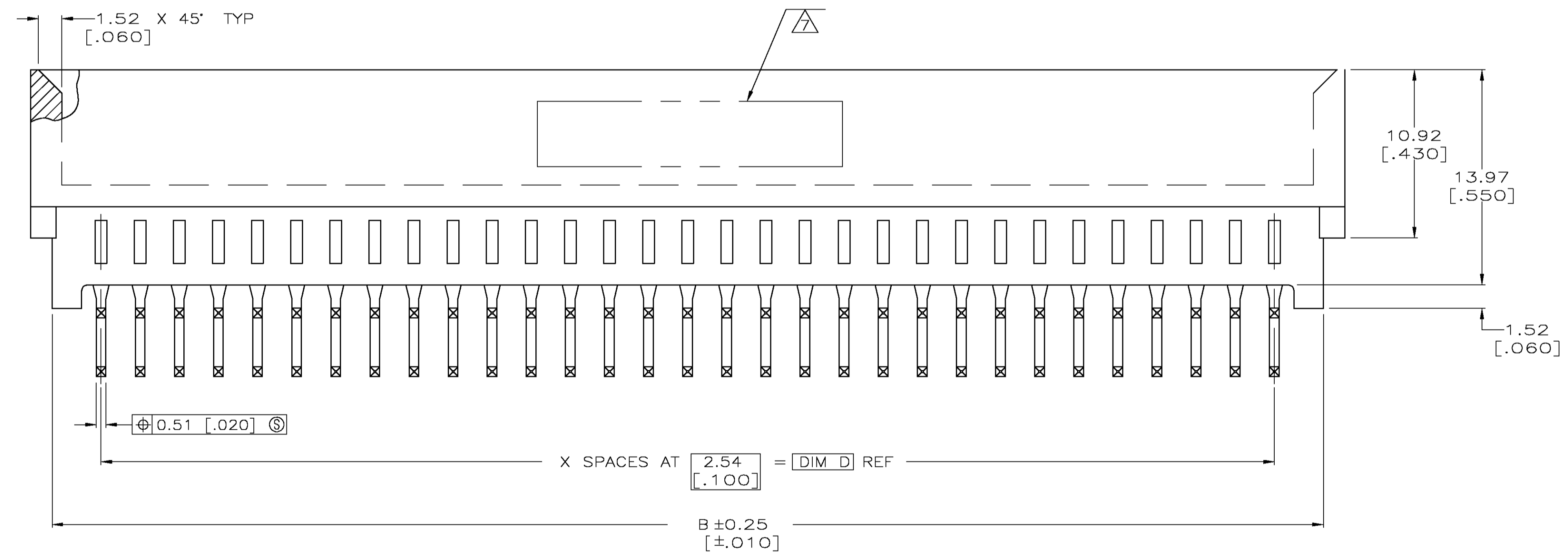
Email & Skype: info@chipsmall.com Web: www.chipsmall.com

Address: A1208, Overseas Decoration Building, #122 Zhenhua RD., Futian, Shenzhen, China





- ① HOUSING: GLASS FILLED POLYESTER; COLOR: BLACK.
- ② CONTACT: PHOSPHOR BRONZE.
- ③ NICKEL UNDERPLATE: 0.00127 [.000050] MIN - ALL OVER.
- ④ MATTE TIN PLATE: 0.00254 [.000100] MIN - SOLDER POSTS.
- ⑤ GOLD PLATE: 0.00038 [.000015] MIN - CONTACT AREA.
- ⑥ NICKEL PLATE PER MIL-G-45204.
GOLD PLATE PER QQ-N-290.
- ⑦ AMP PART NUMBER AND DATE CODE ARE MARKED IN APPROXIMATE AREA SHOWN, EITHER SIDE.
- ⑧ DATUMS AND BASIC DIMENSIONS ESTABLISHED BY CUSTOMER.
PIN 1 LOCATION AND DESIGNATION ESTABLISHED BY CUSTOMER.



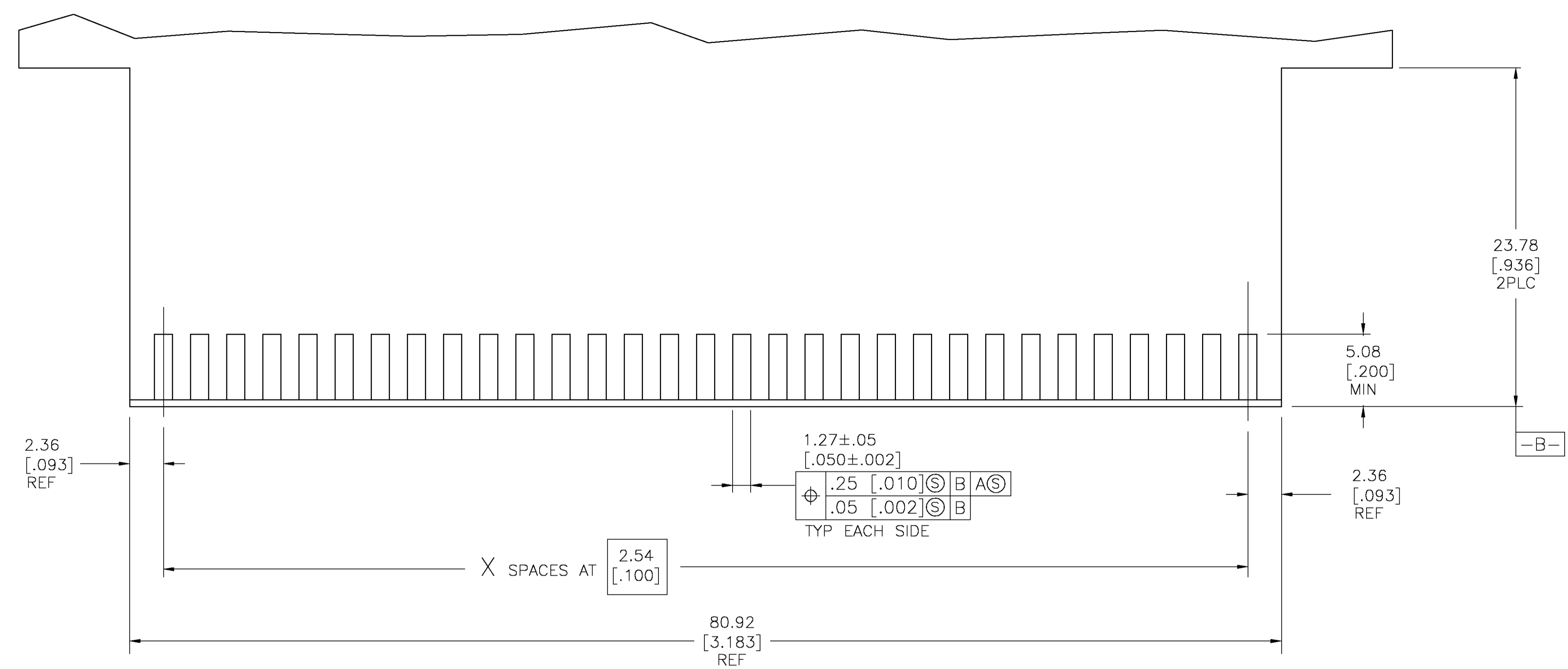
45.72 [1.800]	50.80 [2.000]	52.07 [2.050]	54.864 [2.160]	18	19	5532600-6
78.74 [3.100]	83.82 [3.300]	85.09 [3.350]	87.88 [3.460]	31	32	5532600-5
76.20 [3.000]	81.28 [3.200]	82.55 [3.250]	85.34 [3.360]	30	31	5532600-4
60.96 [2.400]	66.04 [2.600]	67.31 [2.650]	70.10 [2.760]	24	25	5532600-2
D	C	B	A	X	NO OF POSN	PART NUMBER

THIS DRAWING IS A CONTROLLED DOCUMENT. DIM AL FRANTUM 18 OCT 04
 DIM AL FRANTUM 18 OCT 04

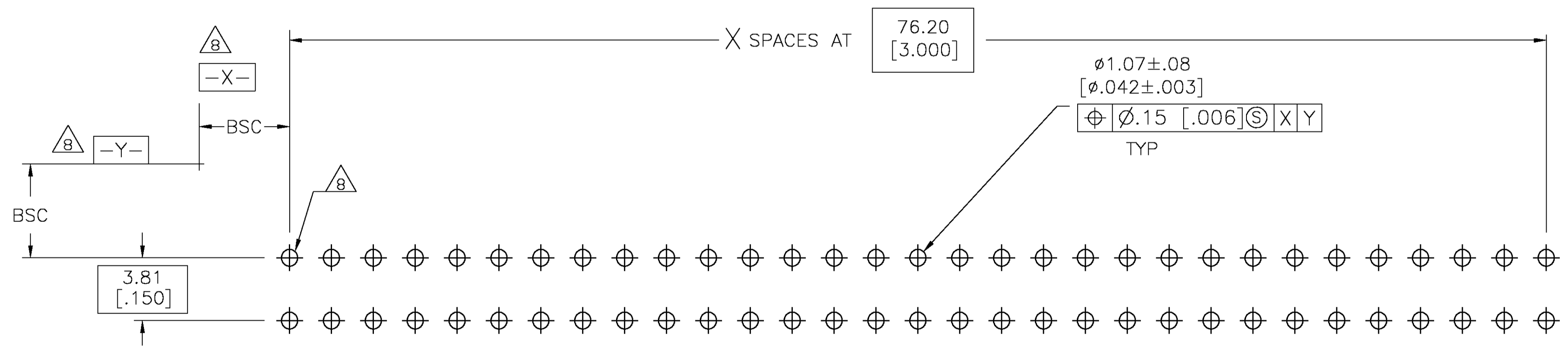
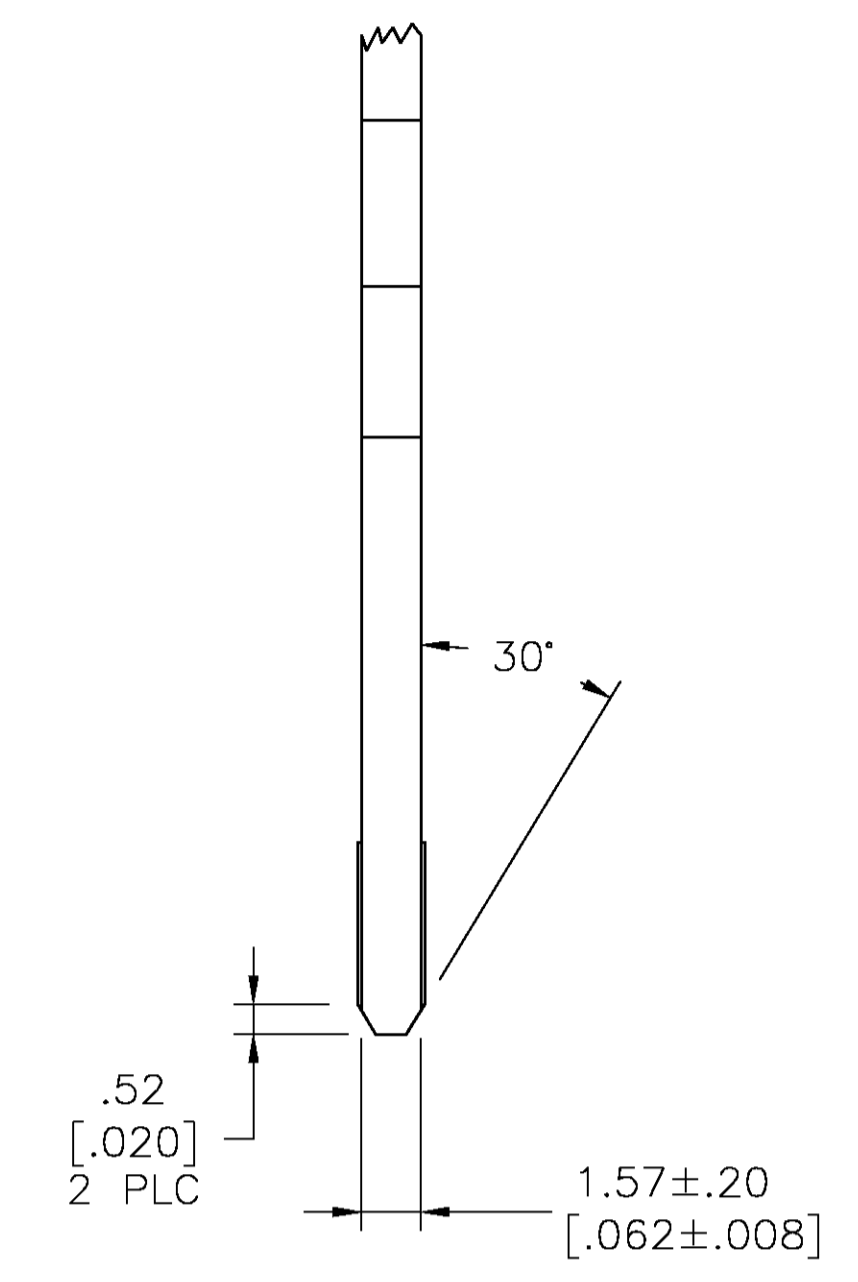
DIMENSIONS: mm
 TOLERANCES UNLESS OTHERWISE SPECIFIED:
 0 PLC ± -
 1 PLC ± -
 2 PLC ± ± 0.13 [.005]
 3 PLC ± ± -
 4 PLC ± ± -
 ANGLES ± ± -

MATERIAL: ① ②
 FINISH: ③ ④ ⑤ ⑥
 WEIGHT: A1 00779 C=5532600
 CUSTOMER DRAWING SCALE 5:1 SHEET 1 OF 2 REV B

Tyco Electronics Corporation
 Harrisburg, Pa 17105-3608
 CONNECTOR ASSEMBLY, STD EDGE II,
 2.54 [.100] x 3.81 [.150],
 RIGHT ANGLE
 SIZE: A1 CASE CODE: 00779 DRAWING NO: C=5532600
 RESTRICTED TO: -



RECOMMENDED MATING BOARD EDGE CONFIGURATION
 -4 CONFIGURATION SHOWN



RECOMMENDED PC BOARD HOLE LAYOUT
 -4 CONFIGURATION SHOWN

THIS DRAWING IS A CONTROLLED DOCUMENT.		DN AL FRANTUM 18 OCT 04		Tyco Electronics Corporation Harrisburg, Pa 17105-3608	
DIMENSIONS: mm		CHK AL FRANTUM 18 OCT 04		NAME	
TOLERANCES UNLESS OTHERWISE SPECIFIED:		APVD	PRODUCT SPEC		
0 PLC ± -		APPLICATION SPEC		108-9039	
1 PLC ± -		SIZE		A1	
2 PLC ± 0.13[005]		CAGE CODE		00779	
3 PLC ± -		DRAWING NO		5532600	
4 PLC ± -		WEIGHT		CUSTOMER DRAWING	
ANGLES ± - Z		SCALE		5:1	
FINISH SEE SHEET 1		SHEET		2 OF 2	
MATERIAL SEE SHEET 1		REV		B	