



Chipsmall Limited consists of a professional team with an average of over 10 year of expertise in the distribution of electronic components. Based in Hongkong, we have already established firm and mutual-benefit business relationships with customers from,Europe,America and south Asia,supplying obsolete and hard-to-find components to meet their specific needs.

With the principle of “Quality Parts,Customers Priority,Honest Operation,and Considerate Service”,our business mainly focus on the distribution of electronic components. Line cards we deal with include Microchip,ALPS,ROHM,Xilinx,Pulse,ON,Everlight and Freescale. Main products comprise IC,Modules,Potentiometer,IC Socket,Relay,Connector.Our parts cover such applications as commercial,industrial, and automotives areas.

We are looking forward to setting up business relationship with you and hope to provide you with the best service and solution. Let us make a better world for our industry!



## Contact us

Tel: +86-755-8981 8866 Fax: +86-755-8427 6832

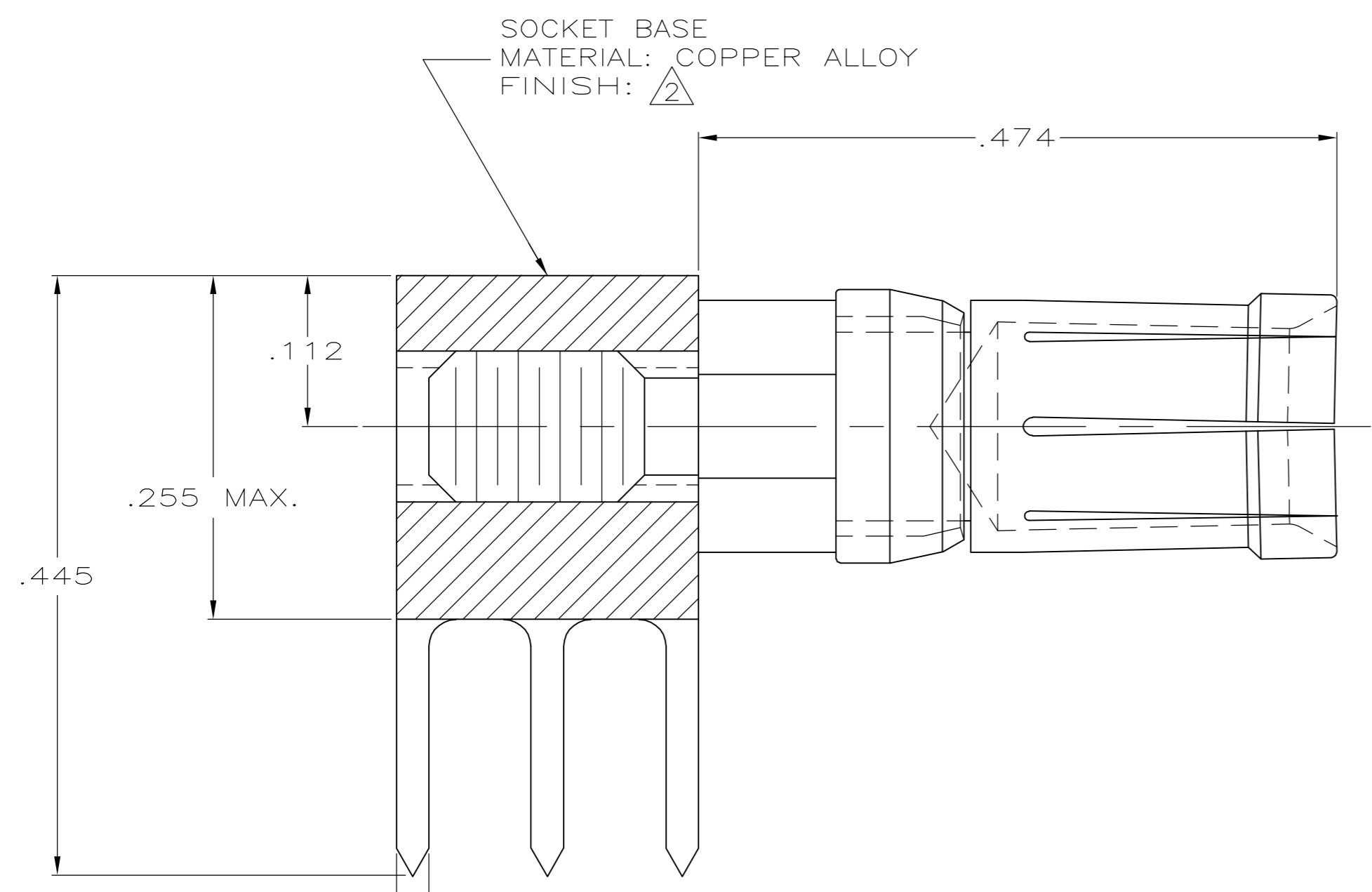
Email & Skype: info@chipsmall.com Web: www.chipsmall.com

Address: A1208, Overseas Decoration Building, #122 Zhenhua RD., Futian, Shenzhen, China



THIS DRAWING IS UNPUBLISHED. RELEASED FOR PUBLICATION  
 © COPYRIGHT BY TYCO ELECTRONICS CORPORATION. ALL RIGHTS RESERVED.

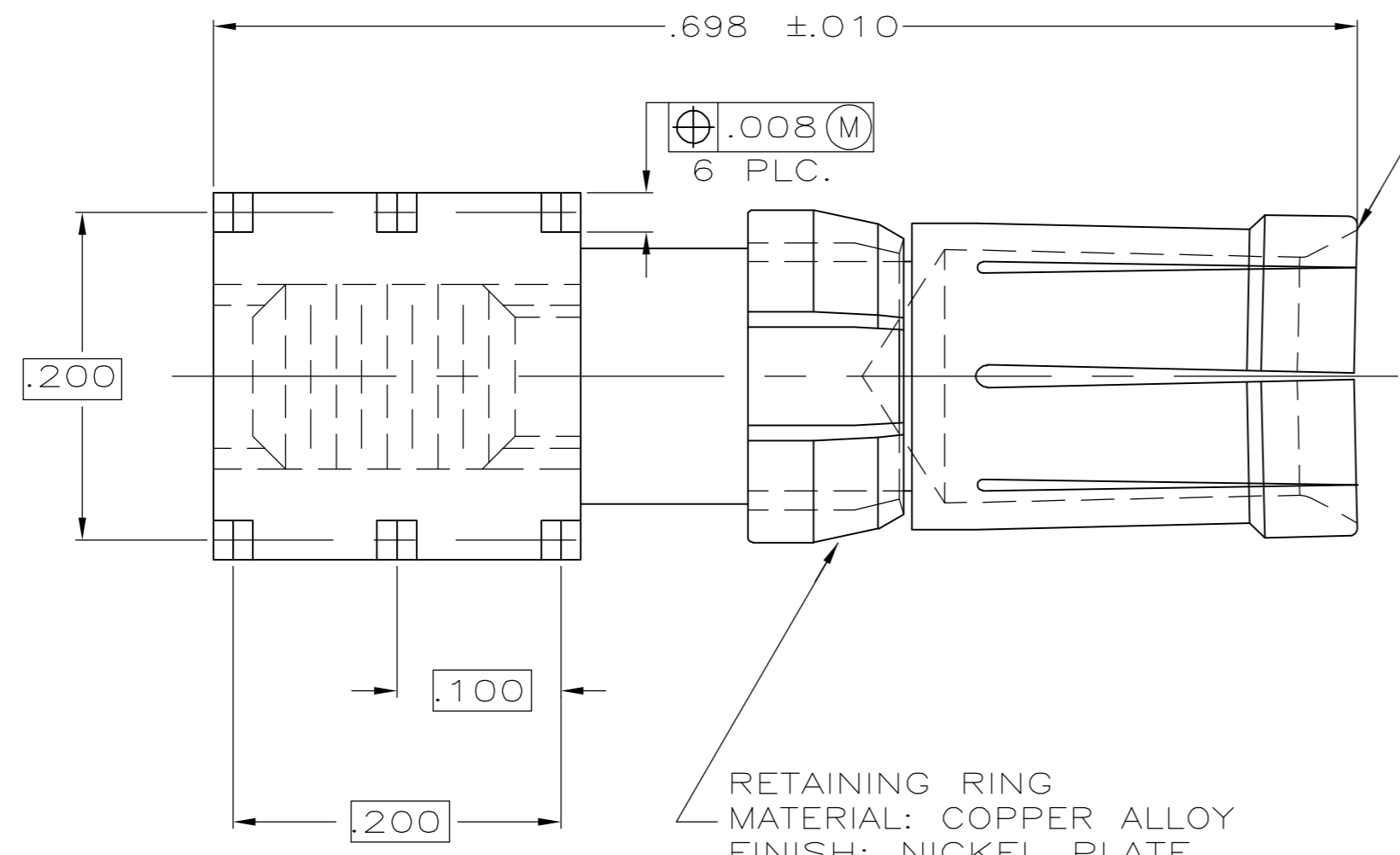
LOC	DIST	REVISIONS			
P	LTR	DESCRIPTION	DATE	DWN	APVD
AD	25	0	RELEASED PER EC 0512-0634-04	19DEC05	JDP AMS



- ① SOCKET CONTACT FINISH : GOLD PLATE OVER NICKEL UNDERPLATE.
- ② SOCKET BASE FINISH : TIN PLATE OVER NICKEL UNDERPLATE.

.024 SQ.  
 $\oplus .008 \text{ (M)}$   
 6 PLS.

SOCKET CONTACT  
 MATERIAL: COPPER ALLOY  
 FINISH: ①



RETAINING RING  
 MATERIAL: COPPER ALLOY  
 FINISH: NICKEL PLATE

5532823-2  
 PART NUMBER

THIS DRAWING IS A CONTROLLED DOCUMENT.		DWN J. POLIGNONE 19DEC05	Tyco Electronics Corporation Harrisburg, PA 17105-3608	
DIMENSIONS: INCHES		CHK A. SHARPE 19DEC05		
TOLERANCES UNLESS OTHERWISE SPECIFIED:		APVD A. SHARPE 19DEC05	NAME CONTACT, RECEPTACLE, RIGHT ANGLE, HDI, POWER, SOLDER	
0 PLC ± - 1 PLC ± - 2 PLC ± - 3 PLC ± .005 4 PLC ± - ANGLES ± - FINISH		APPLICATION SPEC -	SIZE A2	CAGE CODE 00779
MATERIAL		WEIGHT -	DRAWING NO C=5532823	RESTRICTED TO -
$\oplus$		CUSTOMER DRAWING	SCALE 10:1	SHEET 1 of 1
				REV 0