



Chipsmall Limited consists of a professional team with an average of over 10 year of expertise in the distribution of electronic components. Based in Hongkong, we have already established firm and mutual-benefit business relationships with customers from,Europe,America and south Asia,supplying obsolete and hard-to-find components to meet their specific needs.

With the principle of “Quality Parts,Customers Priority,Honest Operation,and Considerate Service”,our business mainly focus on the distribution of electronic components. Line cards we deal with include Microchip,ALPS,ROHM,Xilinx,Pulse,ON,Everlight and Freescale. Main products comprise IC,Modules,Potentiometer,IC Socket,Relay,Connector.Our parts cover such applications as commercial,industrial, and automotives areas.

We are looking forward to setting up business relationship with you and hope to provide you with the best service and solution. Let us make a better world for our industry!



## Contact us

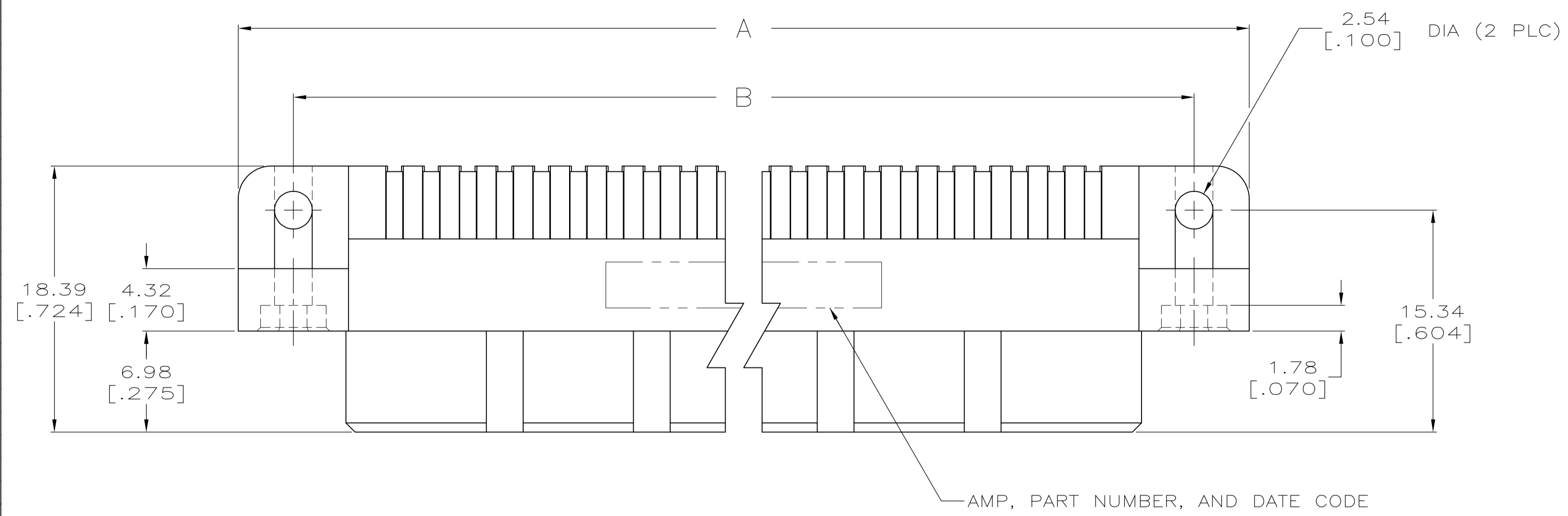
Tel: +86-755-8981 8866 Fax: +86-755-8427 6832

Email & Skype: info@chipsmall.com Web: www.chipsmall.com

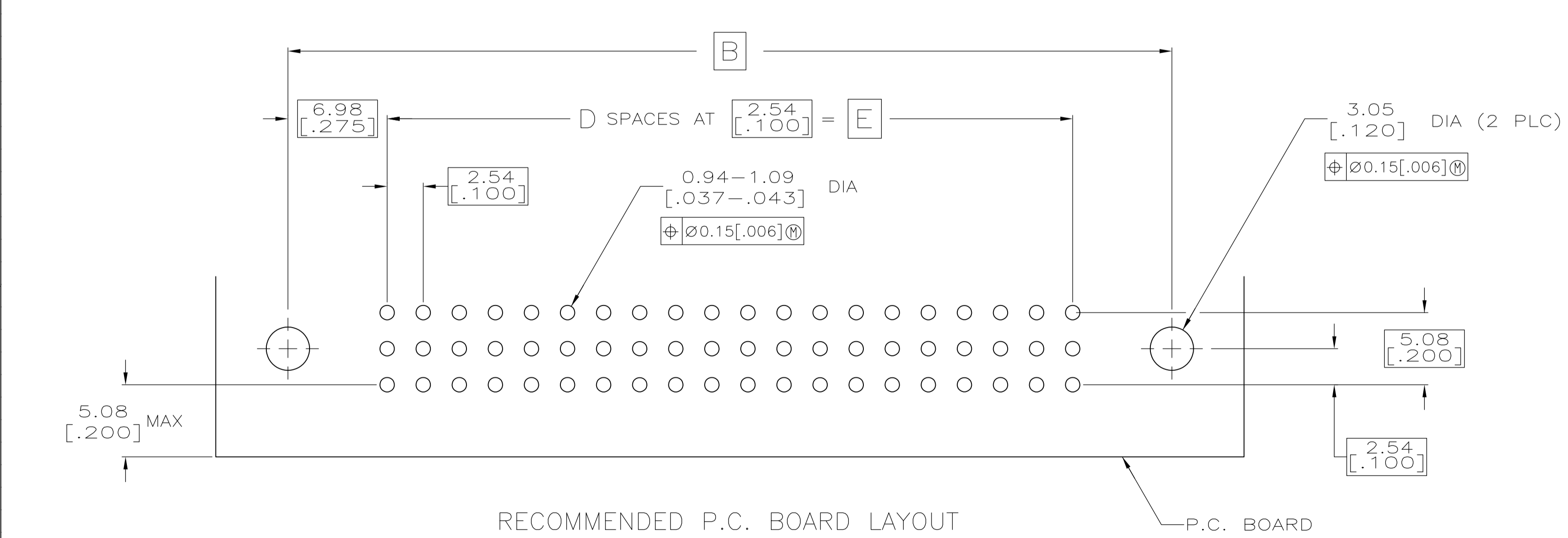
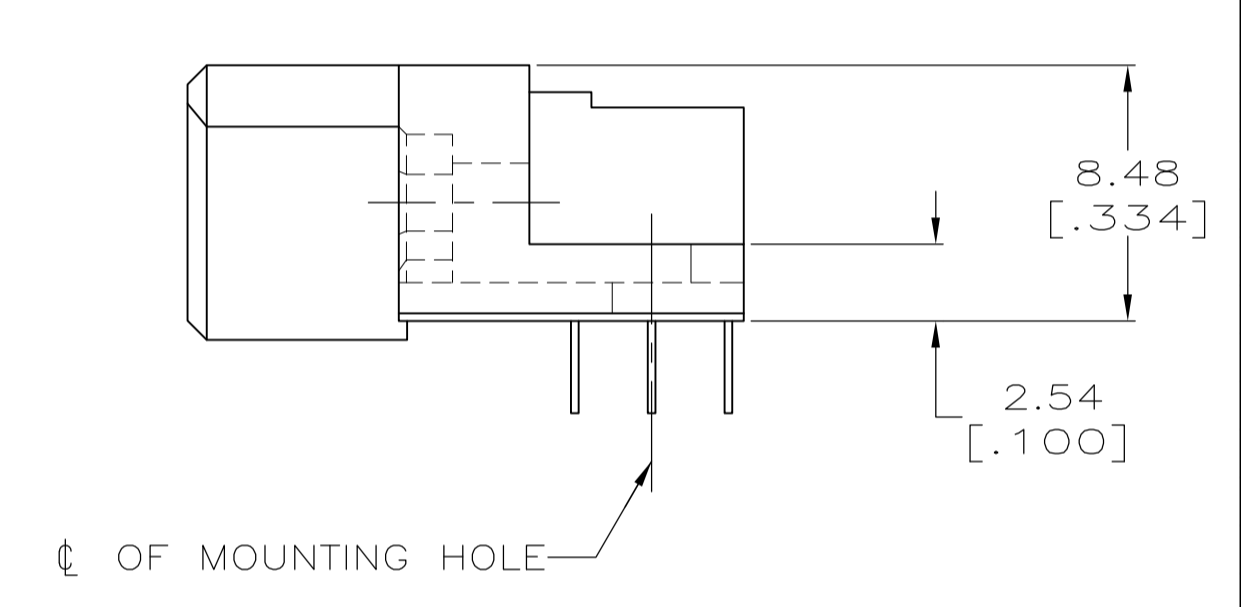
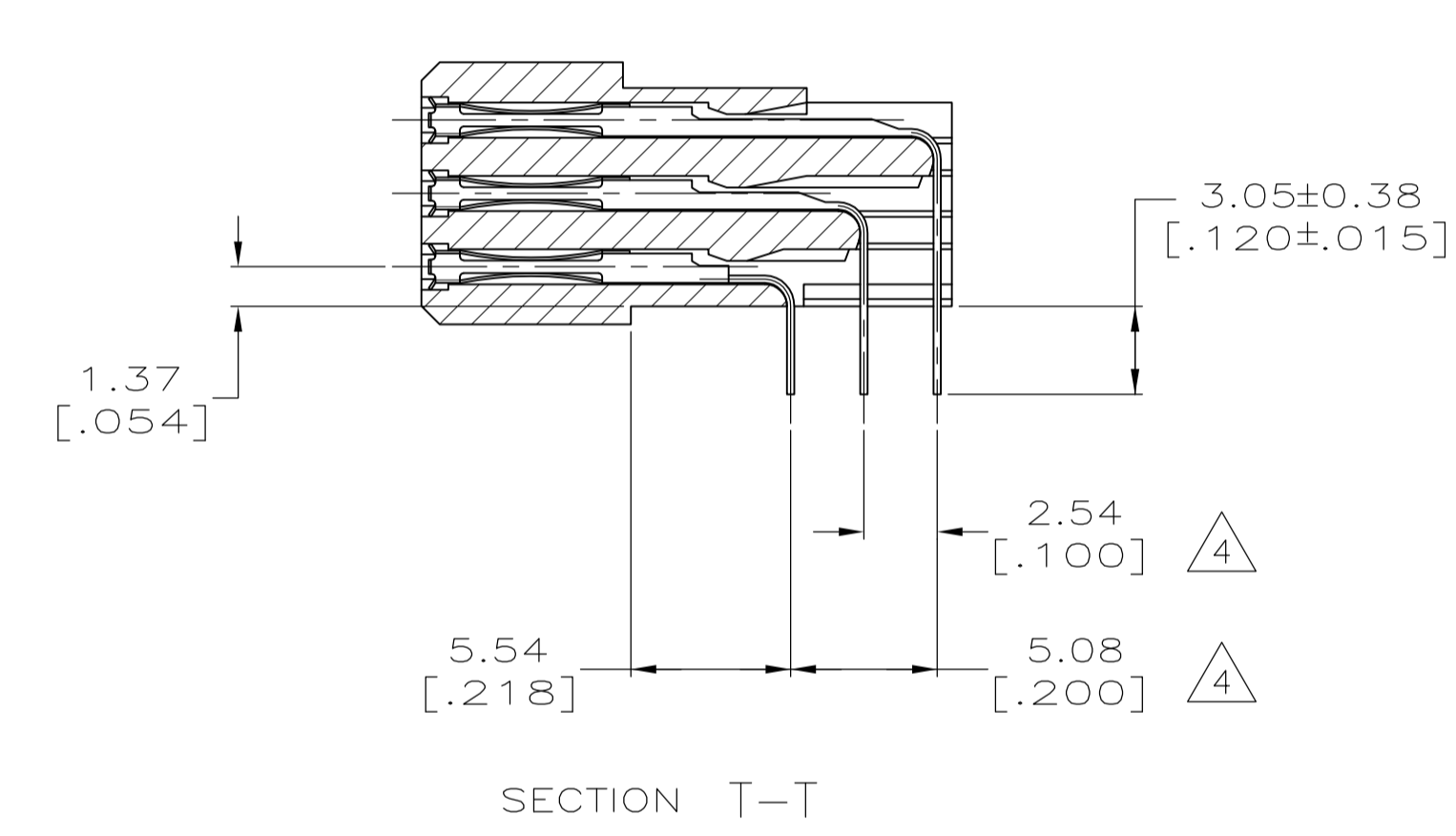
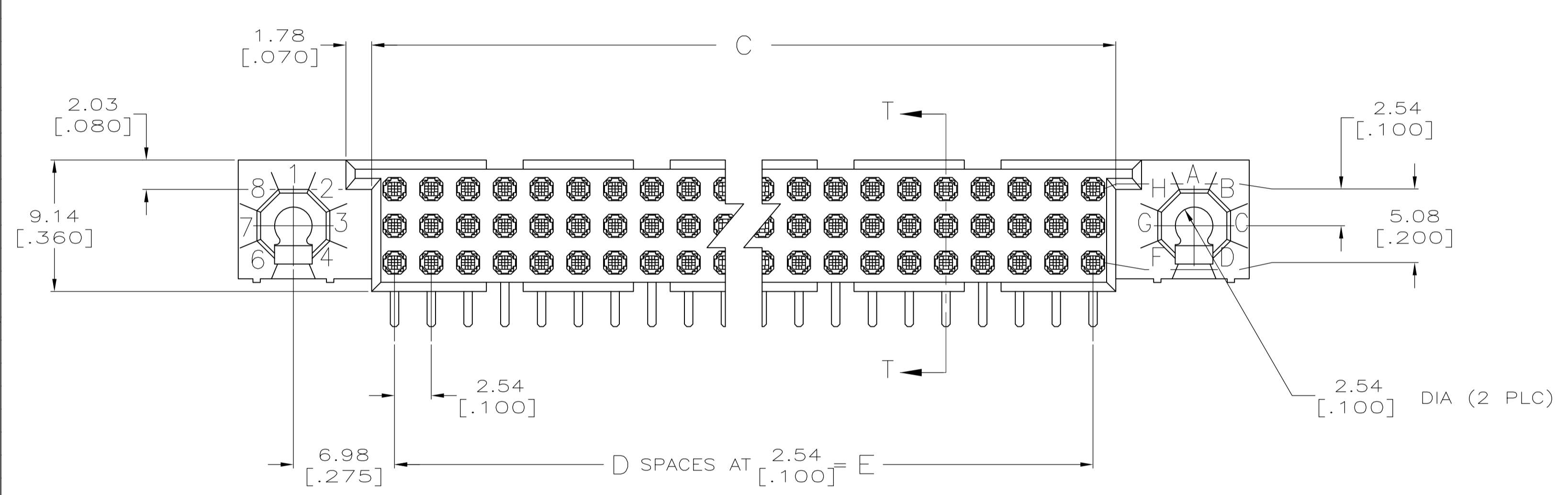
Address: A1208, Overseas Decoration Building, #122 Zhenhua RD., Futian, Shenzhen, China



REVISONS		DATE	BY	APPD
0	RELEASE PER EC 0512-0034-05	10JUN05	JDP	AMS
01	REVISED PER ECO-09-024606	02NOV09	KK	AEG



- ① HOUSING MATERIAL: THERMOPLASTIC.
- ② CONTACT MATERIAL: COPPER ALLOY.
- ③ CONTACT FINISH: .00127-.00254 [.000050-.000100] NICKEL UNDERPLATE ALL OVER; .00076 [.000030] GOLD PLATE IN CONTACT AREA, TIN PLATED SOLDER TAILS.
- ④ SOLDER TAILS MUST FIT HOLE PATTERN AS SHOWN ON THE RECOMMENDED P.C. BOARD LAYOUT.
- ⑤ HOUSINGS WITH CENTER MOUNTING IS RECOMMENDED FOR ASSEMBLIES HAVING 75 CONTACTS PER ROW OR MORE.
- ⑥ OBSOLETE PARTS: OBSOLETE CIS STREAMLINING PER D.RENAUD/D.SINISI



POSN	A	B	C	D	E	PART NUMBER
240	222.25 [8.750]	214.63 [8.450]	203.81 [8.024]	79	200.66 [7.900]	1-5533268-3
225	209.55 [8.250]	201.93 [7.950]	191.11 [7.524]	74	187.96 [7.400]	1-5533268-2
180	171.45 [6.750]	163.83 [6.450]	153.01 [6.024]	59	149.86 [5.900]	5533268-9
165	158.75 [6.250]	151.13 [5.950]	140.31 [5.524]	54	137.16 [5.400]	5533268-8
150	146.05 [5.750]	138.43 [5.450]	127.61 [5.024]	49	124.46 [4.900]	5533268-7
135	133.35 [5.250]	125.73 [4.950]	114.91 [4.524]	44	111.76 [4.400]	5533268-6
120	120.65 [4.750]	113.03 [4.450]	102.21 [4.024]	39	99.06 [3.900]	5533268-5
96	100.33 [3.950]	92.71 [3.650]	81.89 [3.224]	31	78.74 [3.100]	5533268-3

THIS DRAWING IS A CONTROLLED DOCUMENT.

DIMENSIONS: mm [INCHES]

TOLERANCES UNLESS OTHERWISE SPECIFIED:

0 PLC	±	-
1 PLC	±	-
2 PLC	±	0.13[.005]
3 PLC	±	-
4 PLC	±	-
ANGLES	±	-

MATERIAL: ① ② FINISH: ③

THIS DRAWING IS A CONTROLLED DOCUMENT. DIN J. POLIGNONE 10JUN05. CJK A. SHARPE 10JUN05. APVD A. SHARPE 10JUN05. NAME: ASSEMBLY, RECEPTACLE, RIGHT ANGLE, HDI, LEAD-FREE, 3 ROW, WITHOUT GUIDES, 3.05[.120] SOLDER TAILS. SIZE: A1. CAGE CODE: 00779. DRAWING NO: 5533268. WEIGHT: -. RESTRICTED TO: -. CUSTOMER DRAWING. SCALE: 4:1. SHEET: 1 OF 1. REV: 01.