



Chipsmall Limited consists of a professional team with an average of over 10 year of expertise in the distribution of electronic components. Based in Hongkong, we have already established firm and mutual-benefit business relationships with customers from,Europe,America and south Asia,supplying obsolete and hard-to-find components to meet their specific needs.

With the principle of “Quality Parts,Customers Priority,Honest Operation,and Considerate Service”,our business mainly focus on the distribution of electronic components. Line cards we deal with include Microchip,ALPS,ROHM,Xilinx,Pulse,ON,Everlight and Freescale. Main products comprise IC,Modules,Potentiometer,IC Socket,Relay,Connector.Our parts cover such applications as commercial,industrial, and automotives areas.

We are looking forward to setting up business relationship with you and hope to provide you with the best service and solution. Let us make a better world for our industry!



Contact us

Tel: +86-755-8981 8866 Fax: +86-755-8427 6832

Email & Skype: info@chipsmall.com Web: www.chipsmall.com

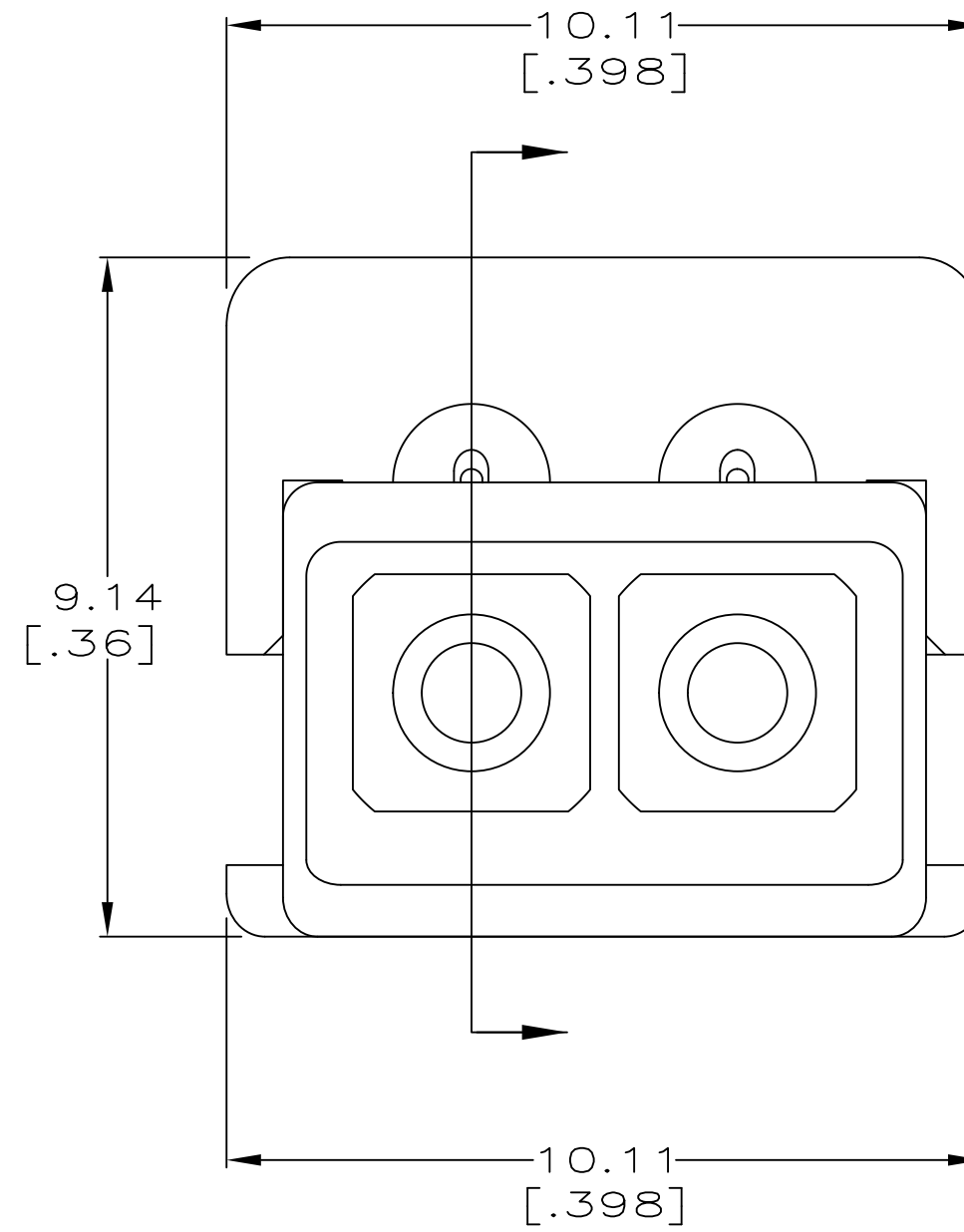
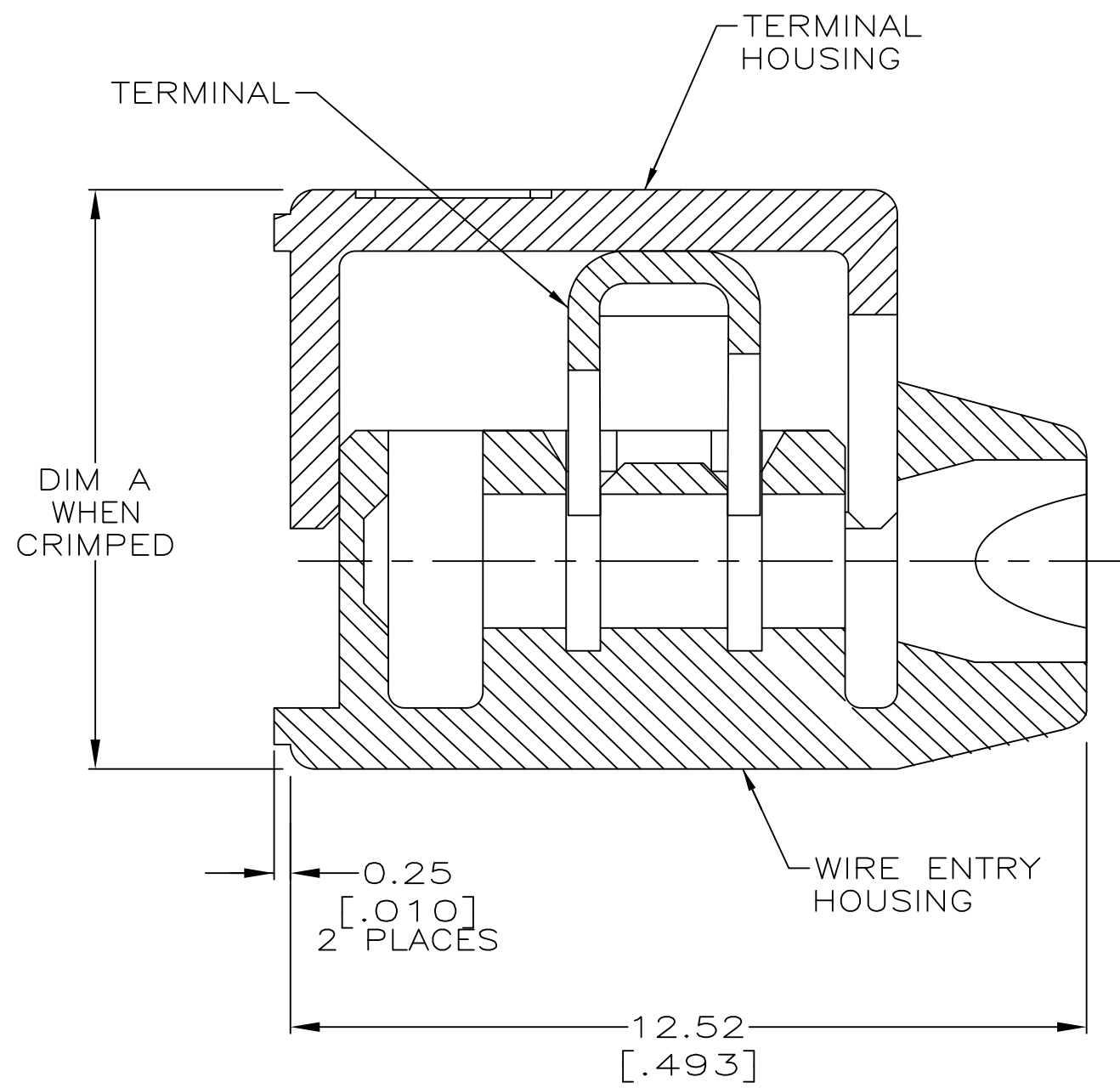
Address: A1208, Overseas Decoration Building, #122 Zhenhua RD., Futian, Shenzhen, China



THIS DRAWING IS UNPUBLISHED. RELEASED FOR PUBLICATION
 © 2016 Commscope, INC. Confidential NOTICE: These drawings and specifications are the proprietary property of COMMSCOPE, INC. and may be used only for the specific purpose authorized in writing by COMMSCOPE, INC.

LOC	DIST	REVISIONS					
HM	00	P	LTR	DESCRIPTION	DATE	DWN	APVD
		P		REV-EC 0340-0004-04	24FEB04	LH	AK
		R		REV ECD-06-026329	19JAN07	LH	NJ
		T		ECN8000019699 REBRANDING	31JAN2017	JUM	ARL

- 1 ALL DIMENSIONS SHOWN ARE MAXIMUM UNLESS OTHERWISE SPECIFIED.
- 2 MATERIAL:
HOUSINGS – POLYCARBONATE, FLAME RETARDANT, CLEAR.
TERMINALS – TIN PLATED PHOS BRONZE.
- 3. WIRE RANGE: 19–26 AWG SOLID COPPER CONDUCTORS.
- 4 TEL-SPLICE ASSEMBLIES WITHOUT SEALANT (UNFILLED) SHALL BE YELLOW.



6.65 [.262]	24–26
7.01 [.276]	19–22
DIM A	WIRE AWG

100/BOX	FILLED	1-553395-2
100/BOX	UNFILLED 4	1-553395-1
1000/BOX	FILLED	553395-3
BULK	UNFILLED 4	553395-2
PACKAGED	DESCRIPTION	PART NUMBER

THIS DRAWING IS A CONTROLLED DOCUMENT.

DWN G. GARRETH 04OCT2002	COMMSCOPE, INC. TEL-SPLICE ASSEMBLY, 2 WIRE, FLAME RETARANT
CHK L. SMITH 29AUG2002	
APVD A. KINKA 29AUG2002	
PRODUCT SPEC	
APPLICATION SPEC	SIZE A2
WEIGHT -	CAGE CODE -
CUSTOMER DRAWING	DRAWING NO C=553395
SCALE 10:1	SHEET 1 of 1
REV T	RESTRICTED TO -

DIMENSIONS:	TOLERANCES UNLESS OTHERWISE SPECIFIED:
mm [INCHES]	
0 PLC	± -
1 PLC	± -
2 PLC	± - 1
3 PLC	± -
4 PLC	± -
ANGLES	± -
FINISH	± - 2

553395

A