



Chipsmall Limited consists of a professional team with an average of over 10 year of expertise in the distribution of electronic components. Based in Hongkong, we have already established firm and mutual-benefit business relationships with customers from,Europe,America and south Asia,supplying obsolete and hard-to-find components to meet their specific needs.

With the principle of “Quality Parts,Customers Priority,Honest Operation,and Considerate Service”,our business mainly focus on the distribution of electronic components. Line cards we deal with include Microchip,ALPS,ROHM,Xilinx,Pulse,ON,Everlight and Freescale. Main products comprise IC,Modules,Potentiometer,IC Socket,Relay,Connector.Our parts cover such applications as commercial,industrial, and automotives areas.

We are looking forward to setting up business relationship with you and hope to provide you with the best service and solution. Let us make a better world for our industry!



Contact us

Tel: +86-755-8981 8866 Fax: +86-755-8427 6832

Email & Skype: info@chipsmall.com Web: www.chipsmall.com

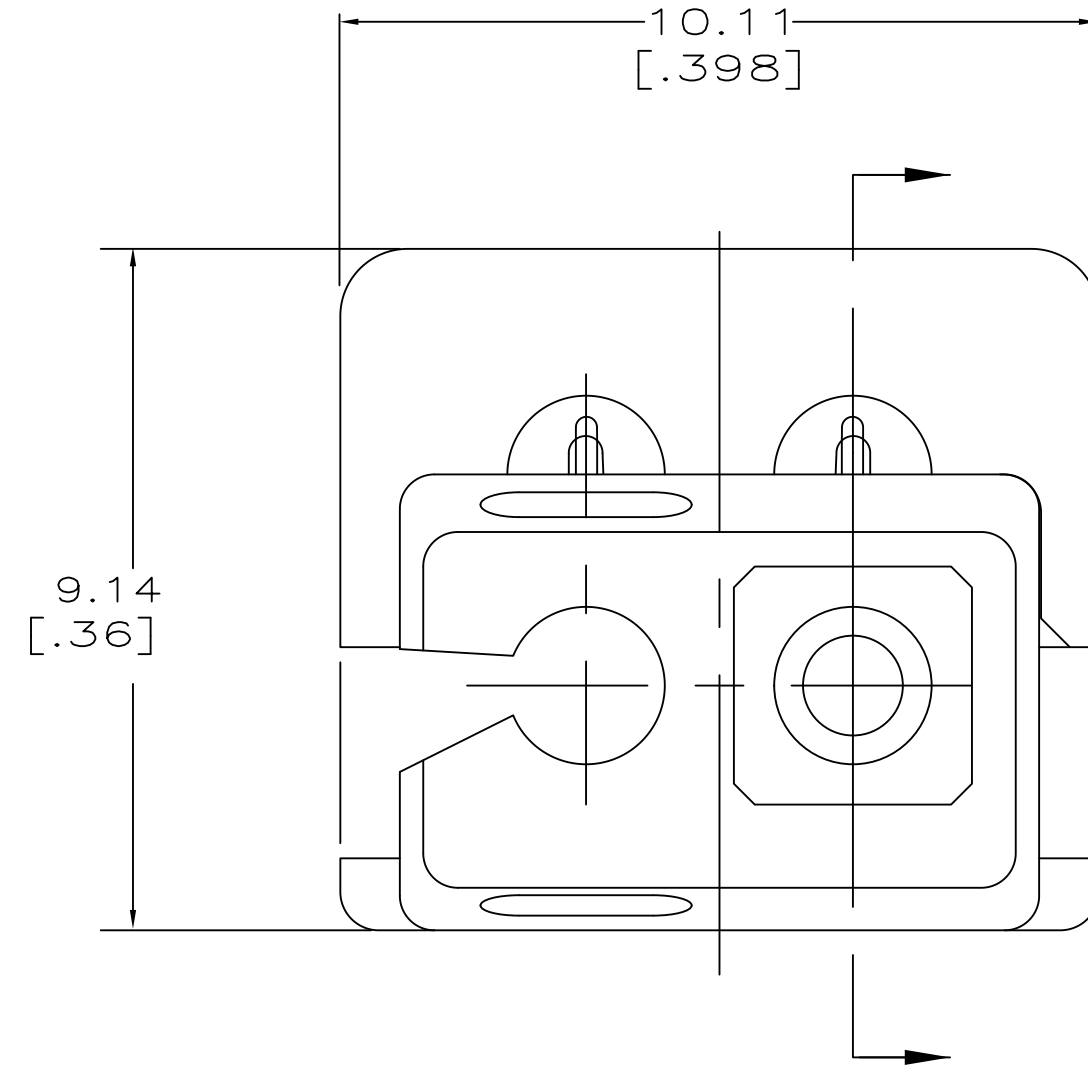
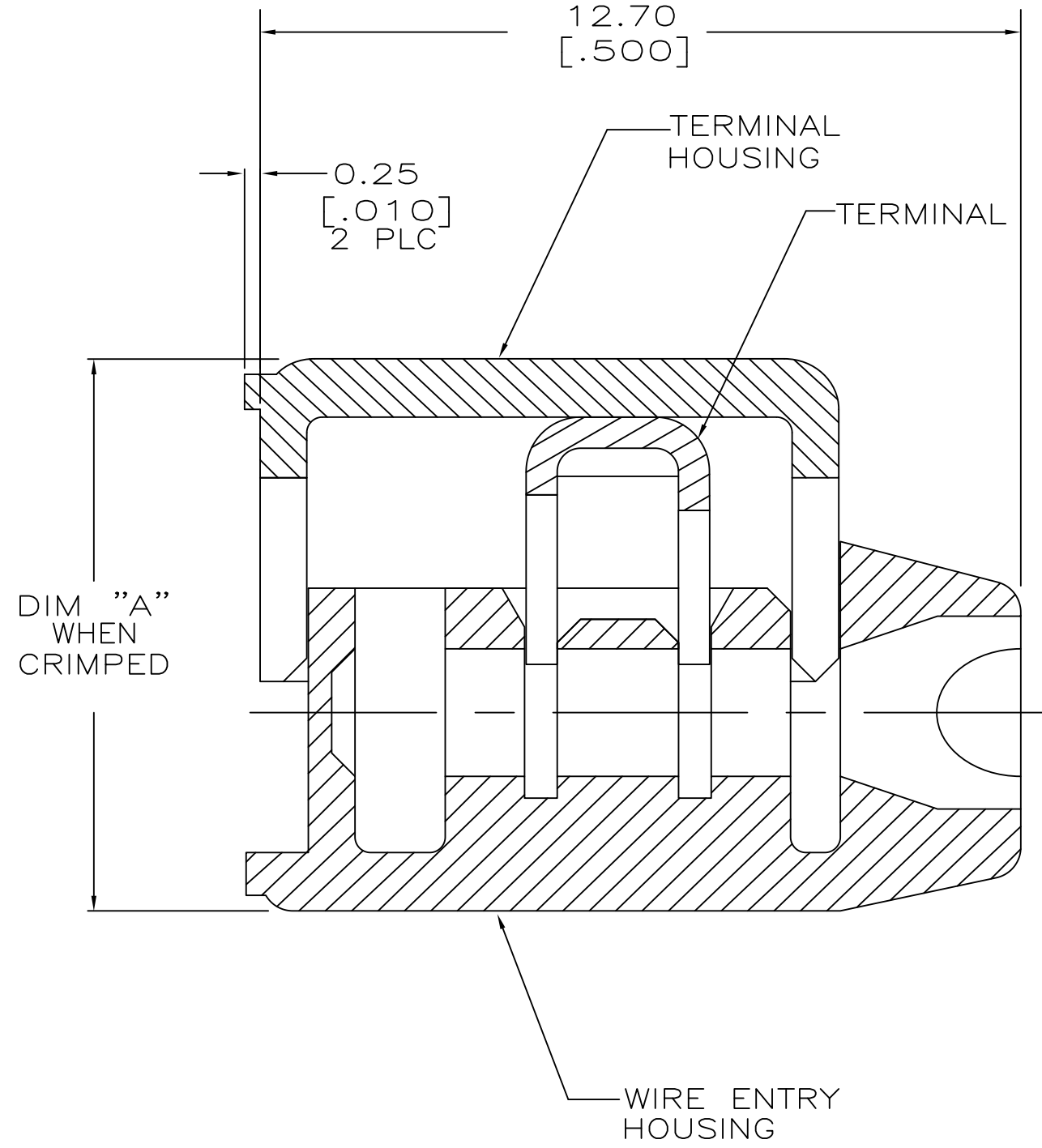
Address: A1208, Overseas Decoration Building, #122 Zhenhua RD., Futian, Shenzhen, China



THIS DRAWING IS UNPUBLISHED. RELEASED FOR PUBLICATION
 © 2016 Commscope, INC. Confidential NOTICE: These drawings and specifications are the proprietary property of COMMSCOPE, INC. and may be used only for the specific purpose authorized in writing by COMMSCOPE, INC.

LOC		DIST		REVISIONS			
P	LTR	DESCRIPTION	DATE	DWN	APVD		
		HM 00					
R		REV PER 40025366MCO	14OCT2015	GG	JD		
Y		ECN 8000019699 REBRANDING	31JAN2017	JUM	ARL		

- ALL DIMENSIONS ARE MAXIMUM UNLESS OTHERWISE SPECIFIED.
- MATERIAL: HOUSING - POLYCARBONATE CLEAR. TERMINALS - TIN PLATED PHOSPHOR BRONZE.
- WIRE RANGE: 19-26 AWG SOLID COPPER CONDUCTORS.
- TEL-SPLICE ASSEMBLIES WITHOUT SEALANT (UNFILLED) SHALL BE YELLOW.



6.66 [.262]	24-26
7.01 [.276]	19-22
DIM "A"	WIRE AWG

	DESCRIPTION	PART NUMBER
100/BOX	FILLED	1-553397-3
BULK	UNFILLED \triangle_4	1-553397-2
100/BOX	UNFILLED \triangle_4	1-553397-1
1000/BOX	FILLED	553397-3
1000/TUB	UNFILLED \triangle_4	553397-1
PACKAGED	DESCRIPTION	PART NUMBER

THIS DRAWING IS A CONTROLLED DOCUMENT.

DWN G. GARRET 04OCT2002	COMMSCOPE, INC. TEL-SPLICE ASSEMBLY, HALF TAP, 2 WIRE, FLAME RETARDANT			
CHK L. SMITH 29AUG2002				
APVD A. KINKA 29AUG2002				
PRODUCT SPEC				
APPLICATION SPEC	NAME			
WEIGHT	SIZE	CAGE CODE	DRAWING NO	RESTRICTED TO
CUSTOMER DRAWING	A2	-	C=553397	-
SCALE	1:1	SHEET	1 of 1	REV
				Y

DIMENSIONS:	TOLERANCES UNLESS OTHERWISE SPECIFIED:
mm [INCHES]	
\varnothing	0 PLC ± -
\varnothing	1 PLC ± -
\varnothing	2 PLC ± -
\varnothing	3 PLC ± -
\varnothing	4 PLC ± -
	ANGLES ± -
	FINISH ± -

553397

A