



Chipsmall Limited consists of a professional team with an average of over 10 year of expertise in the distribution of electronic components. Based in Hongkong, we have already established firm and mutual-benefit business relationships with customers from,Europe,America and south Asia,supplying obsolete and hard-to-find components to meet their specific needs.

With the principle of “Quality Parts,Customers Priority,Honest Operation,and Considerate Service”,our business mainly focus on the distribution of electronic components. Line cards we deal with include Microchip,ALPS,ROHM,Xilinx,Pulse,ON,Everlight and Freescale. Main products comprise IC,Modules,Potentiometer,IC Socket,Relay,Connector.Our parts cover such applications as commercial,industrial, and automotives areas.

We are looking forward to setting up business relationship with you and hope to provide you with the best service and solution. Let us make a better world for our industry!



Contact us

Tel: +86-755-8981 8866 Fax: +86-755-8427 6832

Email & Skype: info@chipsmall.com Web: www.chipsmall.com

Address: A1208, Overseas Decoration Building, #122 Zhenhua RD., Futian, Shenzhen, China



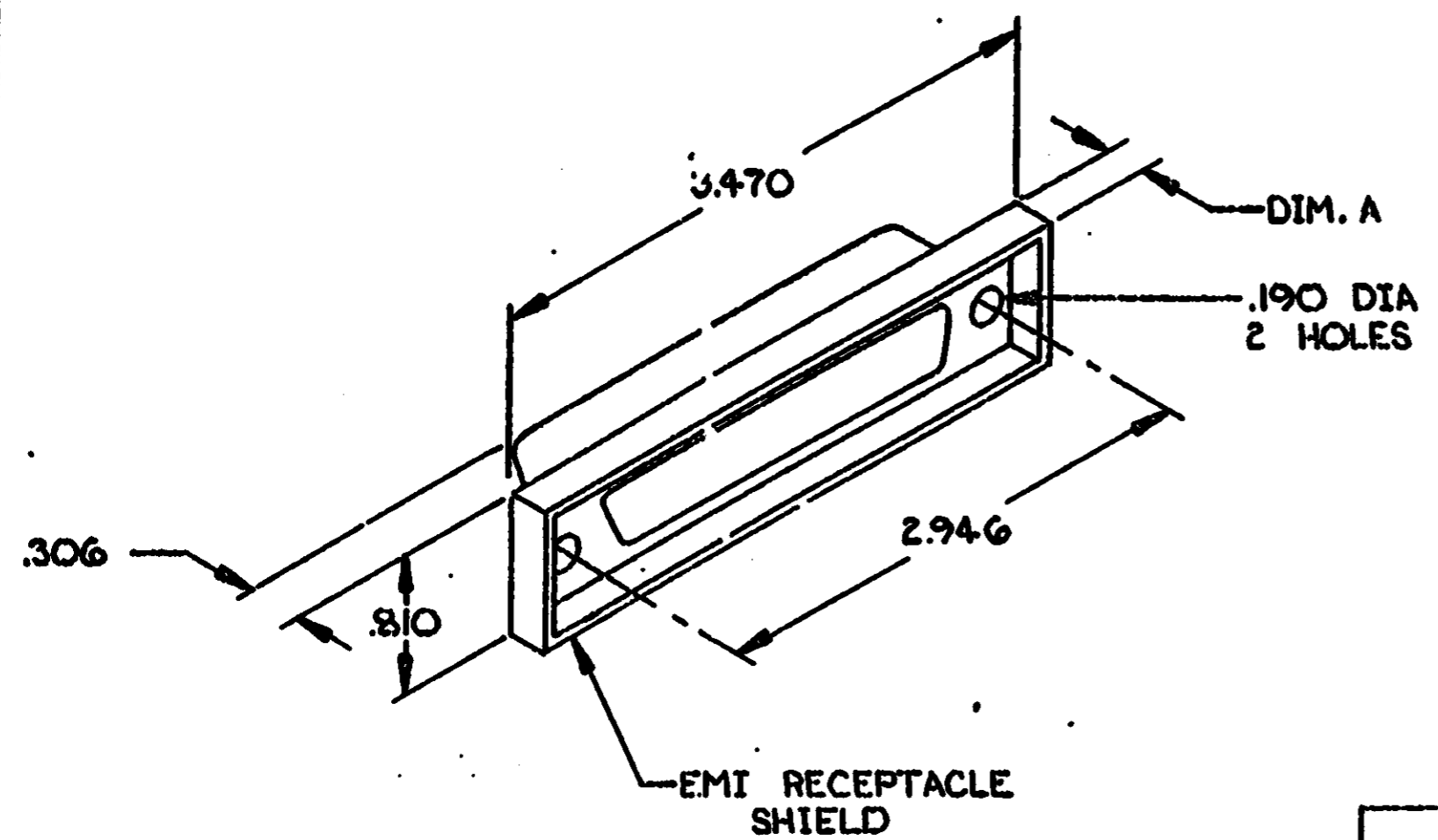
THIS DRAWING IS UNPUBLISHED, RELEASED FOR PUBLICATION

COPYRIGHT 19 BY AMP INCORPORATED, HARRISBURG, PA. ALL INTERNATIONAL RIGHTS RESERVED. AMP PRODUCTS MAY BE COVERED BY U.S. AND FOREIGN PATENTS AND/OR PATENTS PENDING.

2		1		1.00	AA	13/2
REVISIONS						
P	F	ZONE	LTR	DESCRIPTION	DATE	APPROVED
0	1		0	RLSD PER C81-57	6-15-83	PKC

1. ALL DIMENSIONS SHOWN ARE FOR REFERENCE ONLY UNLESS OTHERWISE SPECIFIED.

△ MATERIAL: BRIGHT NICKEL PLATED ZINC DIE CASTING,



.080	553402-6
.193	553402-5
DIM. A	PART NO

UNLESS OTHERWISE SPECIFIED DIMENSIONS ARE IN INCHES. TOLERANCES ON: DECIMALS 1/16 ANGLES 1/2	CONTRACT NO	AMP		AMP INCORPORATED Harrisburg, Pa.
	DR <i>Phil Collins 6-15-83</i>	NAME SHIELD, EMI RECEPTACLE, 50 POSITION, CHAMP		
MATERIAL △	CHK <i>M. L. 6-22-83</i>	FIG. NO	DRAWING NO	
FINISH △	APPR	3	00779	553402
	OTHER APPR	SCALE 1:1	SHEET 1 OF 1	