



Chipsmall Limited consists of a professional team with an average of over 10 year of expertise in the distribution of electronic components. Based in Hongkong, we have already established firm and mutual-benefit business relationships with customers from,Europe,America and south Asia,supplying obsolete and hard-to-find components to meet their specific needs.

With the principle of “Quality Parts,Customers Priority,Honest Operation,and Considerate Service”,our business mainly focus on the distribution of electronic components. Line cards we deal with include Microchip,ALPS,ROHM,Xilinx,Pulse,ON,Everlight and Freescale. Main products comprise IC,Modules,Potentiometer,IC Socket,Relay,Connector.Our parts cover such applications as commercial,industrial, and automotives areas.

We are looking forward to setting up business relationship with you and hope to provide you with the best service and solution. Let us make a better world for our industry!



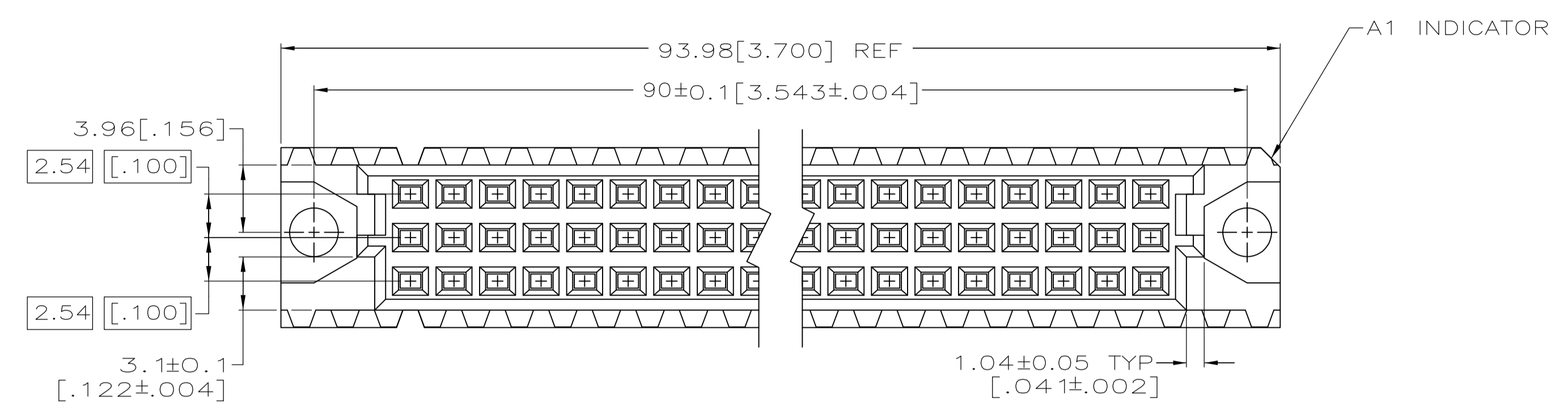
## Contact us

Tel: +86-755-8981 8866 Fax: +86-755-8427 6832

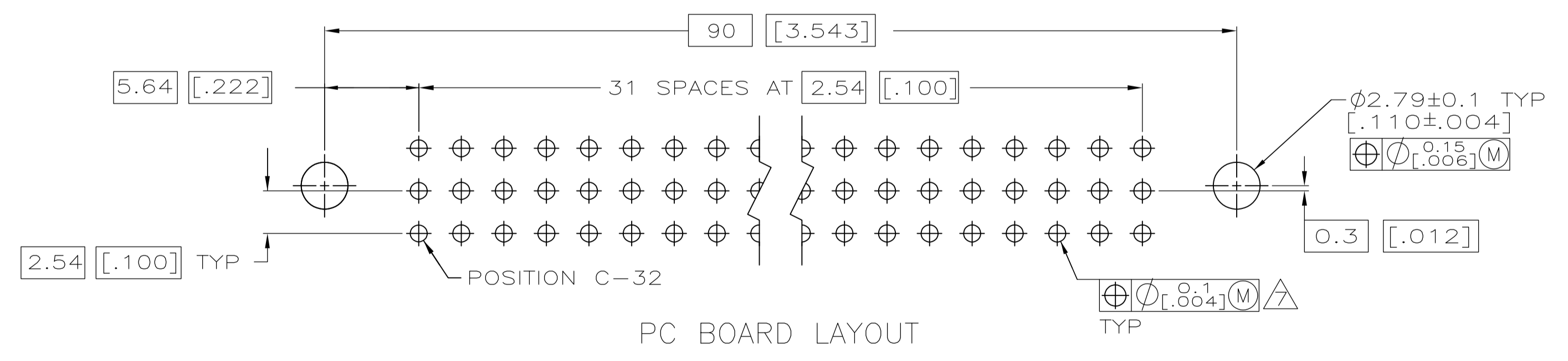
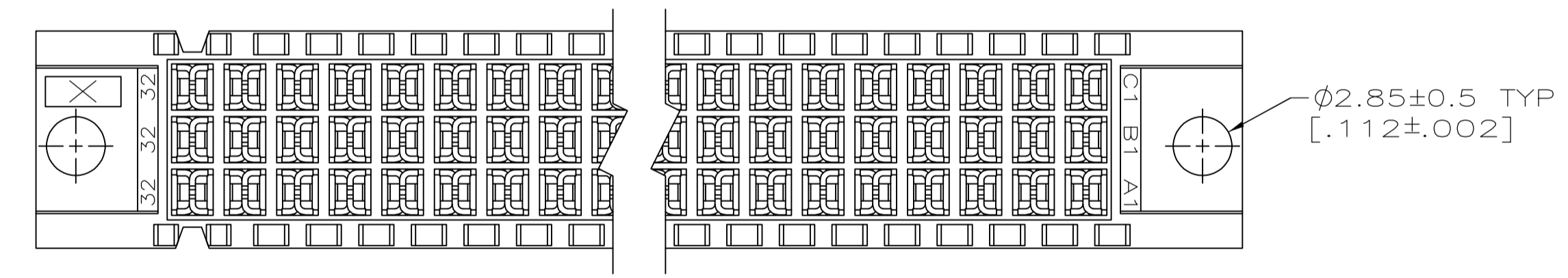
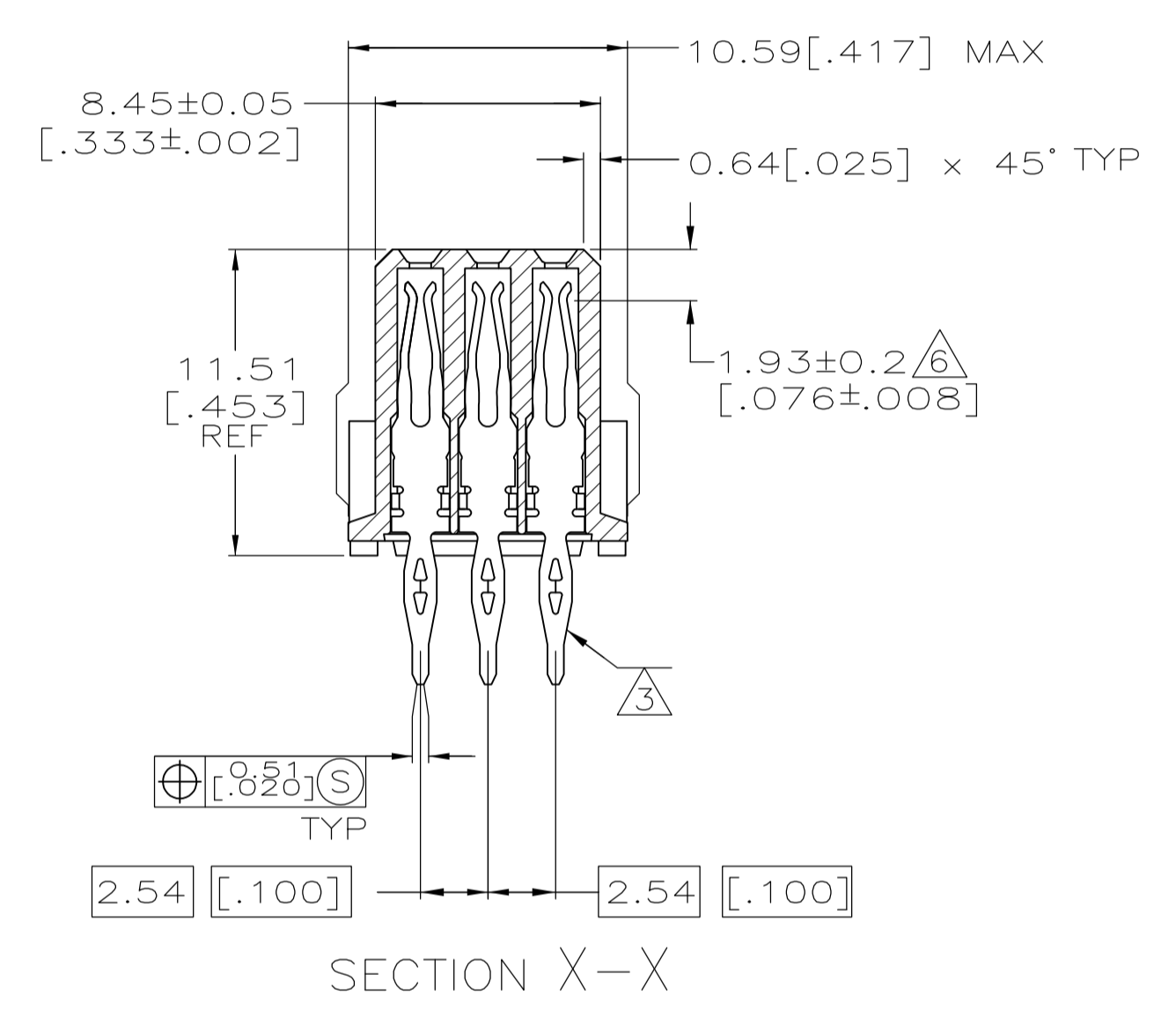
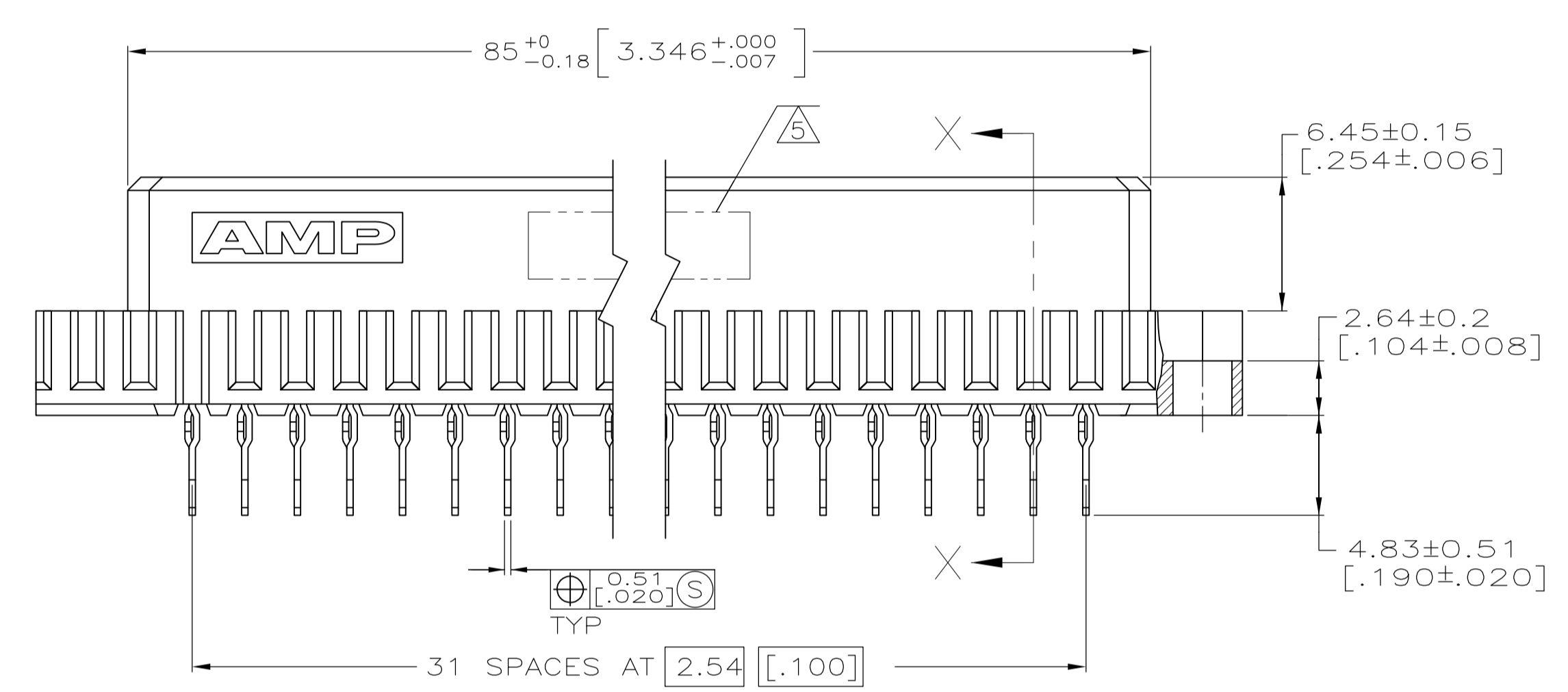
Email & Skype: info@chipsmall.com Web: www.chipsmall.com

Address: A1208, Overseas Decoration Building, #122 Zhenhua RD., Futian, Shenzhen, China





- 1 HOUSING MATERIAL: GLASS-FILLED POLYMER. COLOR: GRAY.
- 2 CONTACT MATERIAL: COPPER ALLOY.
- 3 CONTACT FINISH: DIN 41612 CLASS 2 IN CONTACT AREA. TIN PLATE ON POSTS.
- 4 CONTACT FINISH: DIN 41612 CLASS 3 IN CONTACT AREA. TIN PLATE ON POSTS.
- 5 PART NUMBER, DATE CODE IDENTIFICATION, CSA LOGO IN THIS APPROXIMATE AREA.
- 6 POINT OF MEASUREMENT FOR FINISH.
- 7 ACTION PIN POSTS REQUIRE 1.57 [.062] MINIMUM THICK PC BOARD. RECOMMENDED PC BOARD HOLES ARE  $\phi .151 \pm 0.2$  [.0453 ± .001] DRILLED HOLE WITH 0.02-0.07 [.001-.003] COPPER AND 0.008 [.0003] MINIMUM TIN-LEAD PLATING. FINISHED HOLE AFTER PLATING,  $\phi 0.94-1.09$  [.037-.043].
- 8 CONTACT AREA FINISH: 0.00076mm [.000030] MIN GOLD OVER 0.00127 [.000050] MIN NICKEL. TAIL FINISH: 0.0025 [.000100] MIN MATTE TIN OVER 0.00127 [.000050] MIN NICKEL.



FINISH	POSITIONS LOADED	C	B	A	NO. OF LOADED POSITION	ASSY PART NUMBER
4	1 THRU 32	X	X	X	96	5535032-9
5	1 THRU 32	X	X	X	96	5535032-6
3	1 THRU 32	X	X	X	96	5535032-5
5	1 THRU 32	X	X	X	96	5535032-4

THIS DRAWING IS A CONTROLLED DOCUMENT.

DIMENSIONS: mm [INCHES]

TOLERANCES UNLESS OTHERWISE SPECIFIED:

0 PLC	± -
1 PLC	± -
2 PLC	± 0.13 [.005]
3 PLC	± -
4 PLC	± -
ANGLES	± -

MATERIAL: 1/2

FINISH: 3/4

REV: 25MAY05

APVD: A. SHARPE

PRODUCT SPEC: ASSEMBLY, RECEPTACLE, EUROCARD, TYPE C, LEAD-FREE, 96 POSITION, 4.83 [.190] TOOLLESS, PRESS-FIT

SIZE: A1

WEIGHT: -

CUSTOMER DRAWING

SCALE: 4:1

SHEET: 1 of 1

REV: R