



Chipsmall Limited consists of a professional team with an average of over 10 year of expertise in the distribution of electronic components. Based in Hongkong, we have already established firm and mutual-benefit business relationships with customers from,Europe,America and south Asia,supplying obsolete and hard-to-find components to meet their specific needs.

With the principle of “Quality Parts,Customers Priority,Honest Operation,and Considerate Service”,our business mainly focus on the distribution of electronic components. Line cards we deal with include Microchip,ALPS,ROHM,Xilinx,Pulse,ON,Everlight and Freescale. Main products comprise IC,Modules,Potentiometer,IC Socket,Relay,Connector.Our parts cover such applications as commercial,industrial, and automotives areas.

We are looking forward to setting up business relationship with you and hope to provide you with the best service and solution. Let us make a better world for our industry!



## Contact us

Tel: +86-755-8981 8866 Fax: +86-755-8427 6832

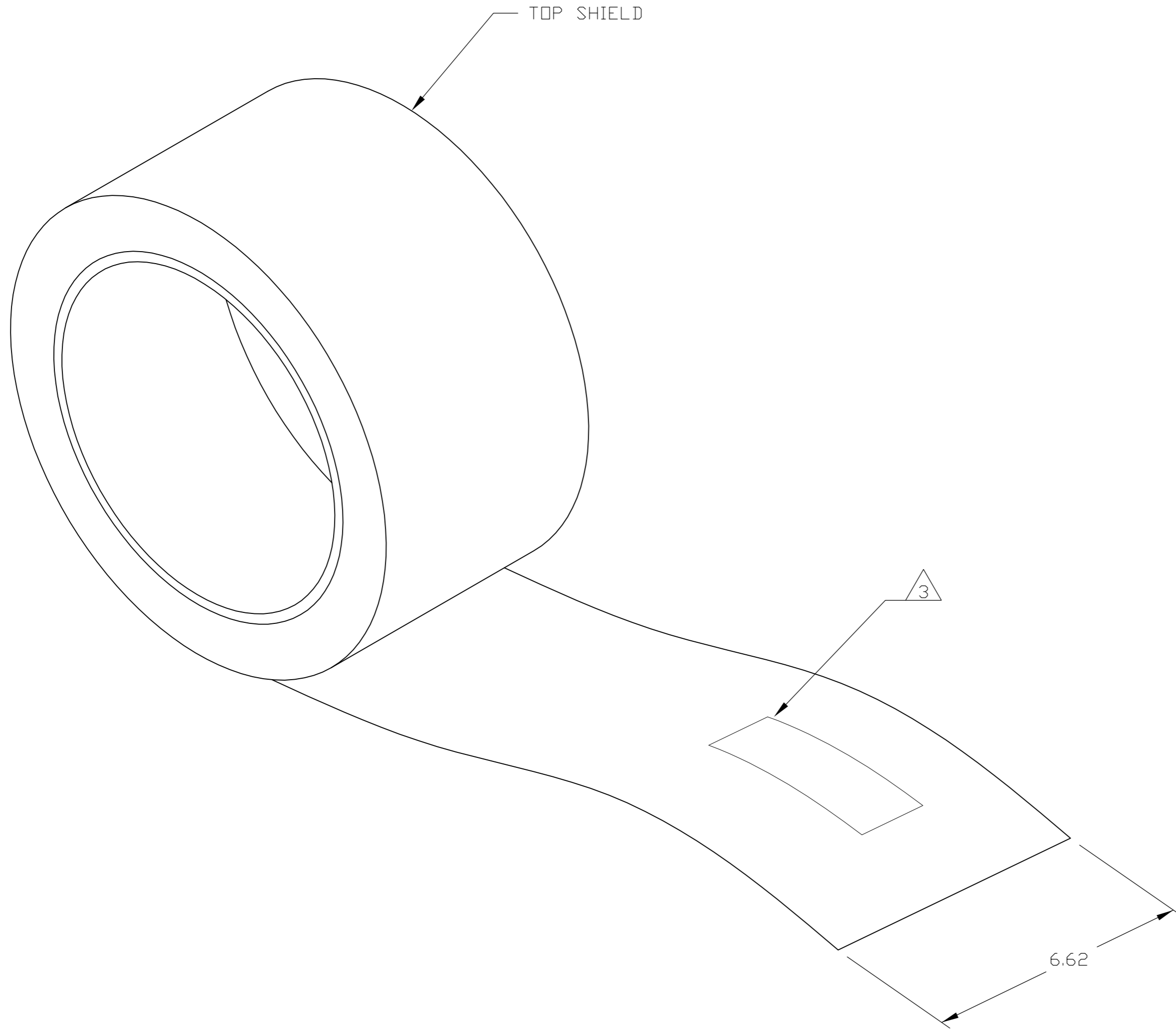
Email & Skype: info@chipsmall.com Web: www.chipsmall.com

Address: A1208, Overseas Decoration Building, #122 Zhenhua RD., Futian, Shenzhen, China



THIS DRAWING IS UNPUBLISHED. RELEASED FOR PUBLICATION  
 © COPYRIGHT - By - ALL RIGHTS RESERVED.

LOC	DIST	REVISIONS			
P	LTR	DESCRIPTION	DATE	DWN	APVD
HM	00	F	REV; ECO-12-020494	26NOV2012	GG MS



1. ALL DIMENSIONS SHOWN ARE FOR REFERENCE ONLY UNLESS OTHERWISE SPECIFIED.
- 2 MATERIAL: 304 STAINLESS STEEL STRIP, .010 THICK.
- 3 SHIELD MARKED IN CENTER OF STRIP EVERY 2 FEET WITH THIS SIDE UP, TYCO ELECTRONICS PN 553536; 10/12 AWG Ⓢ Ⓞ. WARNING THIS CIRCUIT MUST BE DE-ENERGIZED BEFORE REMOVAL OF THIS METAL SHIELD. THIS SYSTEM MUST BE SERVICED BY AN AUTHORIZED ELECTRICIAN. AVERTISSEMENT-METTRE LE CIRCUIT HORS-TENSION AVANT D'ENLEVER L'ECRAN METALLIQUE. LE DÉPANNAGE DE CE SYSTÈME DOIT ÊTRE CONFIE À UN MATTRE ÉLECTRICIEN AUTORISÉ.
4. SEE INSTRUCTION SHEET 408-3150 FOR INSTALLATION INFORMATION.

30 FT	1-553536-7
100 FT	553536-4
50 FT	553536-3
250 FT	553536-1
LENGTH PER ROLL	PART NO.

THIS DRAWING IS A CONTROLLED DOCUMENT.		DWN	L. HALL	06MAR2003		TE Connectivity		
DIMENSIONS: INCHES		CHK	L. SIMPSON	06MAR03		NAME		
TOLERANCES UNLESS OTHERWISE SPECIFIED:		APVD	L. SIMPSON	06MAR03		SHIELD, TOP, 3/5 CONDUCTOR CABLE, 10/12 AWG		
0 PLC ± - 1 PLC ± - 2 PLC ± - 3 PLC ± - 4 PLC ± - ANGLES ± -		PRODUCT SPEC		SIZE		CAGE CODE	DRAWING NO	RESTRICTED TO
MATERIAL		WEIGHT		-	A2	00779	C=553536	-
FINISH		CUSTOMER DRAWING		-	SCALE	NONE	SHEET	1 of 1
							REV	F

553536