



Chipsmall Limited consists of a professional team with an average of over 10 year of expertise in the distribution of electronic components. Based in Hongkong, we have already established firm and mutual-benefit business relationships with customers from,Europe,America and south Asia,supplying obsolete and hard-to-find components to meet their specific needs.

With the principle of “Quality Parts,Customers Priority,Honest Operation,and Considerate Service”,our business mainly focus on the distribution of electronic components. Line cards we deal with include Microchip,ALPS,ROHM,Xilinx,Pulse,ON,Everlight and Freescale. Main products comprise IC,Modules,Potentiometer,IC Socket,Relay,Connector.Our parts cover such applications as commercial,industrial, and automotives areas.

We are looking forward to setting up business relationship with you and hope to provide you with the best service and solution. Let us make a better world for our industry!



Contact us

Tel: +86-755-8981 8866 Fax: +86-755-8427 6832

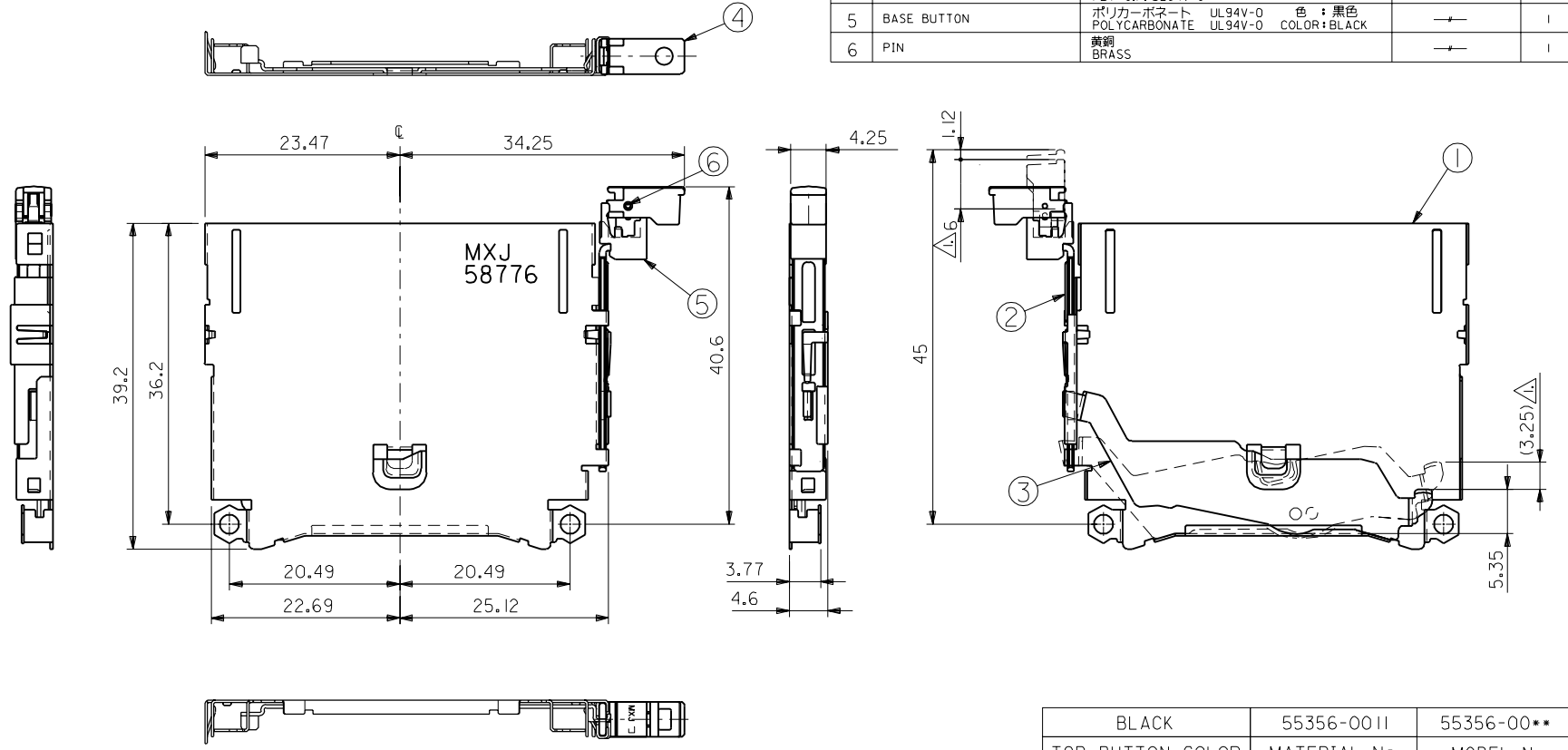
Email & Skype: info@chipsmall.com Web: www.chipsmall.com

Address: A1208, Overseas Decoration Building, #122 Zhenhua RD., Futian, Shenzhen, China



DWG. NO. SD-55356-002

No.	品名 NAME	材料 MATERIAL	仕上げ FINISH	個数 PIECE
1	METAL SHELL	ステンレス鋼 t0.3 STAINLESS STEEL t 0.3	—	1
2	ROD	ステンレス鋼 t0.8 STAINLESS STEEL t 0.8	—	1
3	LEVER	ステンレス鋼 t0.4 STAINLESS STEEL t 0.4	—	1
4	TOP BUTTON	ガラス入りポリエステル UL94V-0 PBT G.F. UL94V-0	—	1
5	BASE BUTTON	ポリカーボネート UL94V-0 色 : 黒色 POLYCARBONATE UL94V-0 COLOR:BLACK	—	1
6	PIN	黄銅 BRASS	—	1



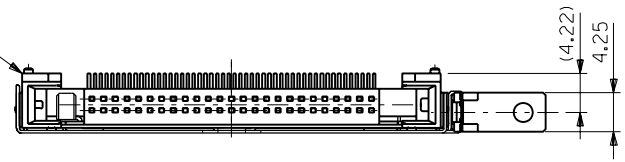
BLACK	55356-0011	55356-00**
TOP BUTTON COLOR	MATERIAL No.	MODEL No.

EC NO. DRWN: CHK: APPR:	EC NO. DRWN: CHK: APPR:	EC NO. DRWN: CHK: APPR:	REVISED	MATERIAL 材料	GENERAL TOLERANCES: (UNLESS SPECIFIED) 一般公差	SCALE 2-1	DESIGN UNITS <input checked="" type="checkbox"/> mm <input type="checkbox"/> INCH	THIRD ANGLE PROJECTION	DIMENSIONS:		SHT	REV
			EC No. JD90581 DRWN: TANAKA '98/10/20 CHK: MSASAO '98/10/20 APPR: HIKESUGI '98/10/20						SEE CHART	10 UNDER 未満		
A	O	A	RELEASED	FINISH 仕上付	10 OVER 以上	+0.25	APPROVED BY & DATE <i>H. Sasaki</i> '98/08/18	MOLEX	TITLE:			SHEET NO.
			EC No. JD90218 DRWN: TANAKA '98/08/18 CHK: MSASAO '98/08/18 APPR: HIKESUGI '98/08/18						—	30 UNDER 未満	+0.3	
REV	INS. RANGE 被覆外径	—	—	—	30 OVER 以上	+0.3	CAD FILE NAME 55356002.S01	MATERIAL NO. SEE CHART	DRAWING NO. SD-55356-002	SIZE B	THIS DRAWING CONTAINS INFORMATION THAT IS PROPRIETARY TO MOLEX INCORPORATED AND SHOULD NOT BE USED WITHOUT WRITTEN PERMISSION.	

DO NOT SCALE DRAWING

DWG. NO. SD-55356-002

△ HDR ASS'Y
55341-5010
(55340-5010)

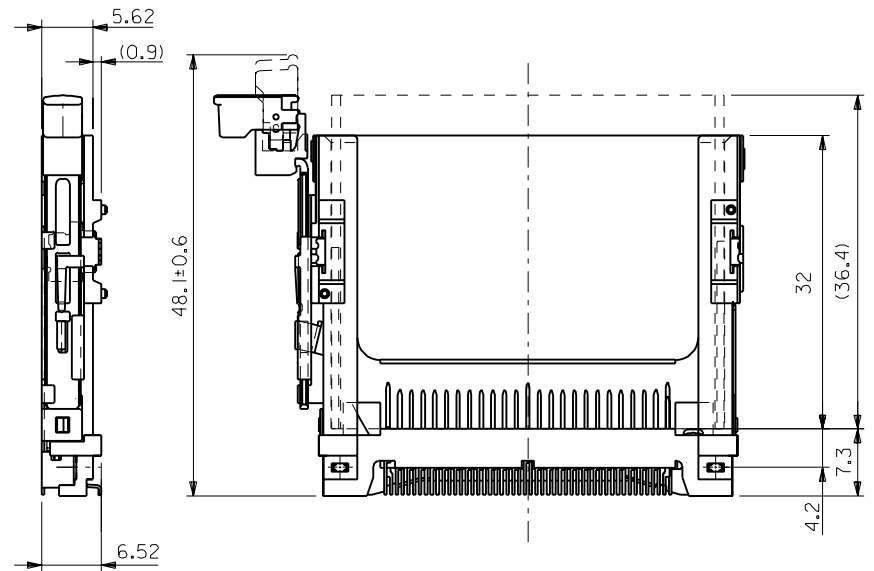
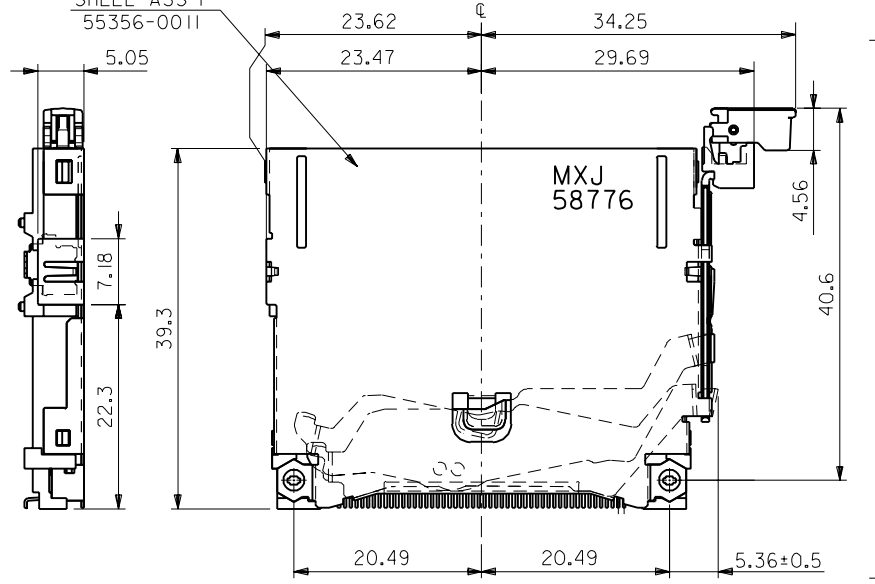


REFERENCE USE ONLY

注)
NOTES

- △1 ボタンストロークが 6mm の時、カード飛び出し量は (3.25mm)。
WHEN BUTTON PUSH STROKE IS 6mm, CARD OUT BY (3.25mm).
- 2. 適合 HEADER ASS'Y : 55340-5010(REVERSE), 55341-5010(NORMAL)
APPLICABLE HEADER ASS'Y : 55340-5010(REVERSE), 55341-5010(NORMAL)
- △3 SD-55341-003 (SD-55340-003) 参照
SEE SD-55341-003 (SD-55340-003)

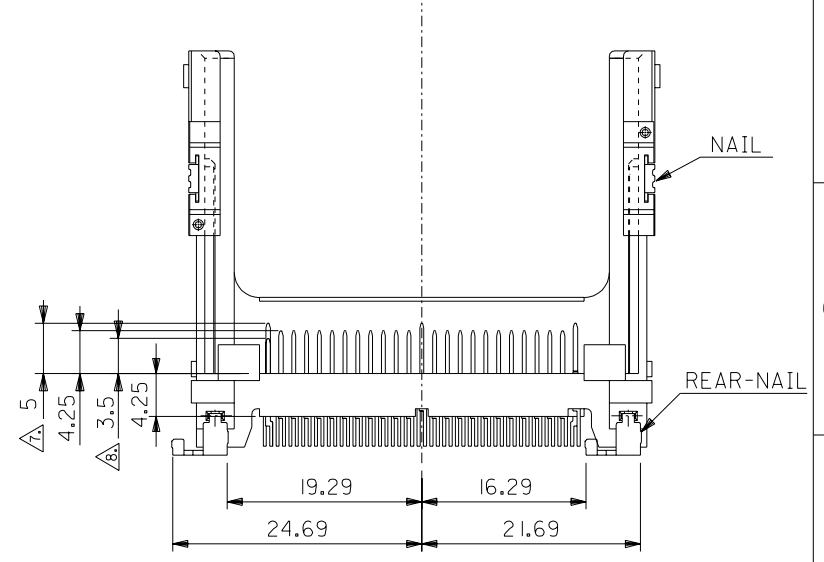
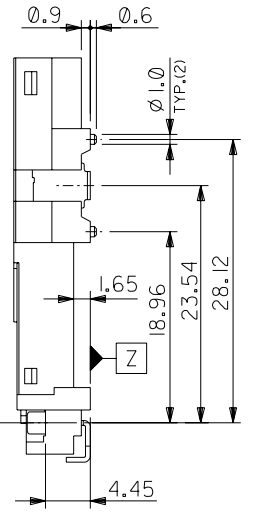
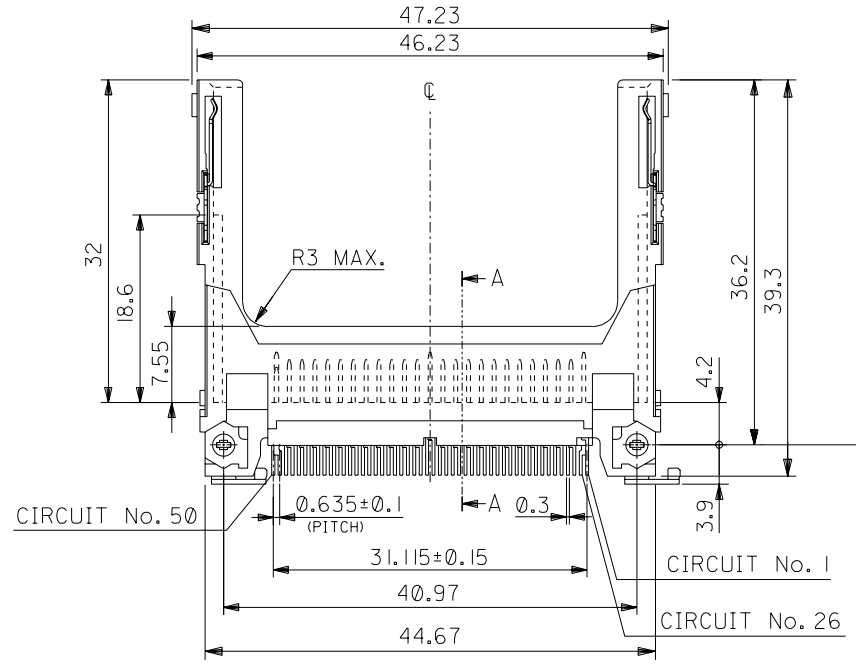
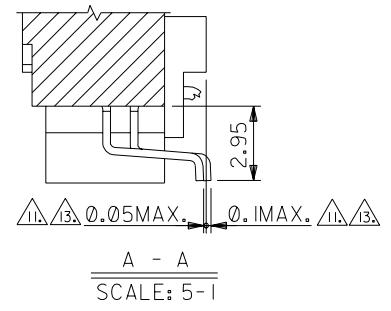
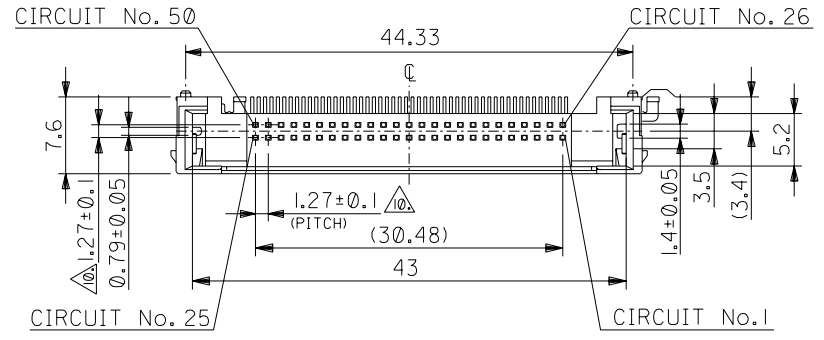
SHELL ASS'Y
55356-0011



DO NOT SCALE DRAWING

EC NO. DRWN: CHK: APPR:	EC NO. DRWN: CHK: APPR:	EC NO. DRWN: CHK: APPR:	EC NO. DRWN: CHK: APPR:	SHEET 1 OF 2 参照 SEE SHEET 1 OF 2	DESCRIPTION	MATERIAL 材料	GENERAL TOLERANCES: (UNLESS SPECIFIED) 一般公差	SCALE 2 - 1	DESIGN UNITS <input checked="" type="checkbox"/> mm <input type="checkbox"/> INCH	DIMENSIONS: <input type="checkbox"/> mm <input type="checkbox"/> INCH <input checked="" type="checkbox"/> mm ONLY	SHT REV
							10 UNDER 未満	+0.2	DRAWN BY & DATE <i>M. Yanaka</i> '98/08/18	THIRD ANGLE PROJECTION	REVISE ON CAD ONLY
							10 OVER 以上	+0.25	CHECKED BY & DATE <i>H. Saito</i> '98/08/18		
							30 OVER 以上	+0.3	APPROVED BY & DATE <i>H. Saito</i> '98/08/18		
						FINISH 仕上り	ANGLE 角度	+3°	CAD FILENAME 55356002.S02	TITLE: CF CARD CONN. EJECT MECHANISM METAL SHELL ASS'Y (FOR LEFT SIDE BUTTON)	
						WIRE RANGE 適用線径範囲			MATERIAL NO. SEE SHEET 1 OF 2	MOLEX INCORPORATED	
						INS. RANGE 被覆外径			DRAWING NO. SD-55356-002	SHEET NO. 2	
							THIS DRAWING CONTAINS INFORMATION THAT IS PROPRIETARY TO MOLEX INCORPORATED AND SHOULD NOT BE USED WITHOUT WRITTEN PERMISSION.				SIZE B

DWG. NO. SD-55358-011



DO NOT SCALE DRAWING

EC NO. DRWN: CHK: APPR:	EC NO. DRWN: CHK: APPR:	EC NO. DRWN: CHK: APPR:	EC NO. DRWN: CHK: APPR:	EC NO. DRWN: CHK: APPR:
RELEASED EC NO. J2002-3139 DRWN: THANYU '02/06/17 CHK: MSASAO '02/06/17 APPR: MSASAO '02/06/17				
DESCRIPTION				
MATERIAL 材料				
FINISH 仕上り				
WIRE RANGE 適用電線範囲				
INS. RANGE 被覆外径				

SEE NOTES
SEE NOTES
#
#

GENERAL TOLERANCES: (UNLESS SPECIFIED) 一般公差	
10 UNDER 未満	±0.2
10 OVER 30 UNDER 以上 未満	±0.25
30 OVER 以上	±0.3
ANGLE 角度	±3°

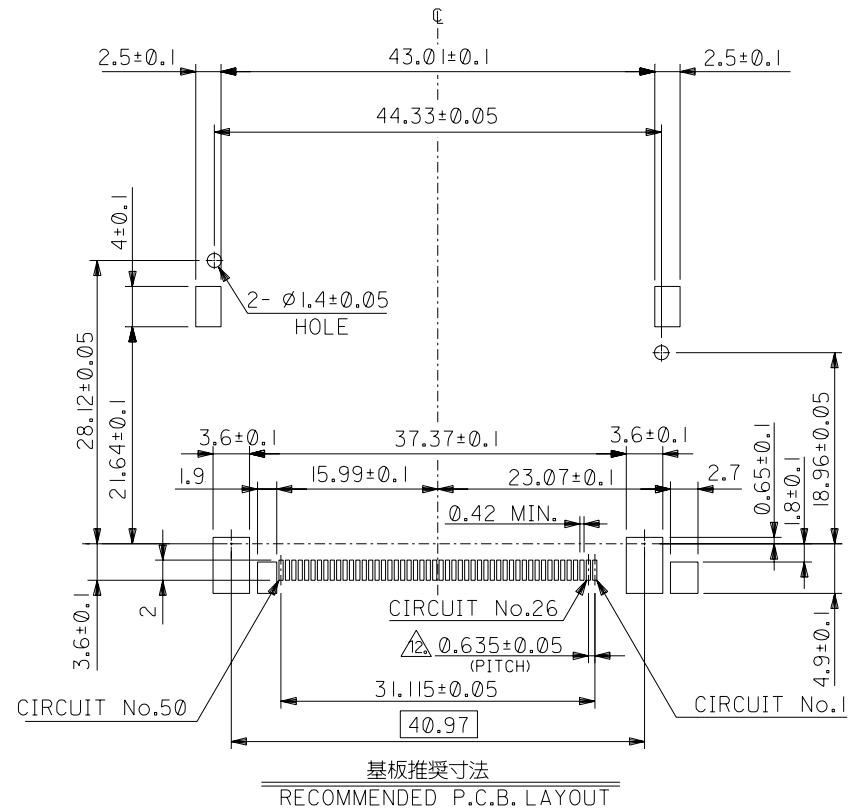
SCALE 2 - 1	DESIGN UNITS <input checked="" type="checkbox"/> mm <input type="checkbox"/> INCH
DRAWN BY & DATE T. Hamura '02/06/17	
CHECKED BY & DATE H. Sasaki '02/06/17	
APPROVED BY & DATE H. Sasaki '02/06/17	
CAD FILENAME SD-55358-011.S01	

55358-5021		55358-50**	
MATERIAL No.		MODEL No.	
DIMENSIONS: <input type="checkbox"/> mm <input type="checkbox"/> INCH		SHT REV REVISE ON CAD ONLY	
THIRD ANGLE PROJECTION <input checked="" type="checkbox"/> THIRD ANGLE PROJECTION			
TITLE: CF CARD CONN. 50P HEADER ASS'Y (TYPE I/II, NORMAL)			
MOLEX INCORPORATED			
MATERIAL NO. SEE CHART	DRAWING NO. SD-55358-011	SHEET NO. 1 OF 3	
THIS DRAWING CONTAINS INFORMATION THAT IS PROPRIETARY TO MOLEX INCORPORATED AND SHOULD NOT BE USED WITHOUT WRITTEN PERMISSION.			SIZE B

DWG. NO. SD-55358-011

- 注) MATERIAL
1. 材質
ハウジング: ガラス入りLCP UL94V-0
HOUSING: LIQUID CRYSTAL POLYMER G.F. UL94V-0
ピン: リン青銅
PIN: PHOSPHOR BRONZE
ネール: リン青銅 (t0.3)
NAIL: PHOSPHOR BRONZE (t0.3)
リヤネール: リン青銅 (t0.48)
REAR-NAIL: PHOSPHOR BRONZE (t0.48)
2. メッキ仕様 PLATING
- ピン
PIN
接点部: パラジウムニッケル下地、金メッキ
CONTACT AREA: GOLD OVER PALLADIUM-NICKEL
半田付け部: 半田メッキ
SOLDER TAIL AREA: TIN-LEAD
下地メッキ: ニッケルメッキ
UNDERPLATING: NICKEL OVER ALL
- ネール
NAIL
接点部: 金メッキ
CONTACT AREA: GOLD
半田付け部: 半田メッキ
SOLDER TAIL AREA: TIN-LEAD
下地メッキ: ニッケルメッキ
UNDERPLATING: NICKEL OVER ALL
- リヤネール
REAR-NAIL
半田メッキ
TIN-LEAD
下地メッキ: 銅メッキ
UNDERPLATING: COPPER OVER ALL
3. 推奨基板厚: t=0.8 MIN.
RECOMMENDED P.C.B. THICKNESS: t=0.8 MIN.
4. 適合カード厚: 3.3±0.1 (TYPE I) AND 5 MAX. (TYPE II)
RECOMMENDED CARD THICKNESS: 3.3±0.1 (TYPE I) AND 5 MAX. (TYPE II)
5. 適合カード幅: 42.8±0.1
RECOMMENDED CARD WIDTH: 42.8±0.1
6. ハウジング色: 黒
HOUSING COLOR: BLACK
- ⑦ 寸法適用極: 1,13,38,50
THIS DIMENSION APPLIES TO CIRCUIT NUMBERS 1,13,38 AND 50.
- ⑧ 寸法適用極: 25,26
THIS DIMENSION APPLIES TO CIRCUIT NUMBERS 25 AND 26.
- ⑨ ピンの倒れは、ピン根元を基準に全方向へ0.1 MAX.とする。
PIN TIP LEAN TOWARD ANY DIRECTION NOT TO EXCEED 0.1 WHEN MEASURED FROM PIN BASE.
- ⑩ ピン根元に適用する。
THIS DIMENSION TO BE MEASURED AT PIN BASE.

- ⑪ ソルダートールは、Z面を基準とし上へ0.05下へ0.1の範囲にあり、且つソルダートールの平坦度は、0.1 MAX.とし、テール先端にて測定する。
SOLDERTAILS TO BE WITHIN 0.05 UPWARD AND 0.1 DOWNWARD FROM Z-DATUM PLACE, AND COPLANARITY OF SOLDERTAILS TO BE WITHIN 0.1. MEASUREMENT POINT IS SOLDERTAILS TIP.
- ⑫ 公差非累積
NON-CUMULATIVE
- ⑬ テールとネール、リヤネールを併せた平坦度は、0.1 MAX.とする。
TOTAL COPLANARITY OF SOLDER TAILS, NAILS AND REAR-NAILS TO BE 0.1 MAX.

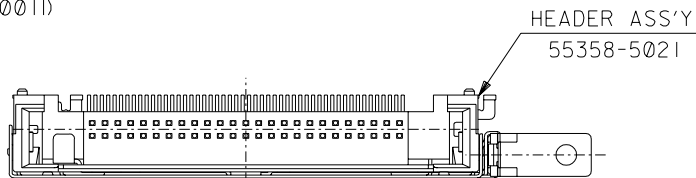


DO NOT SCALE DRAWING

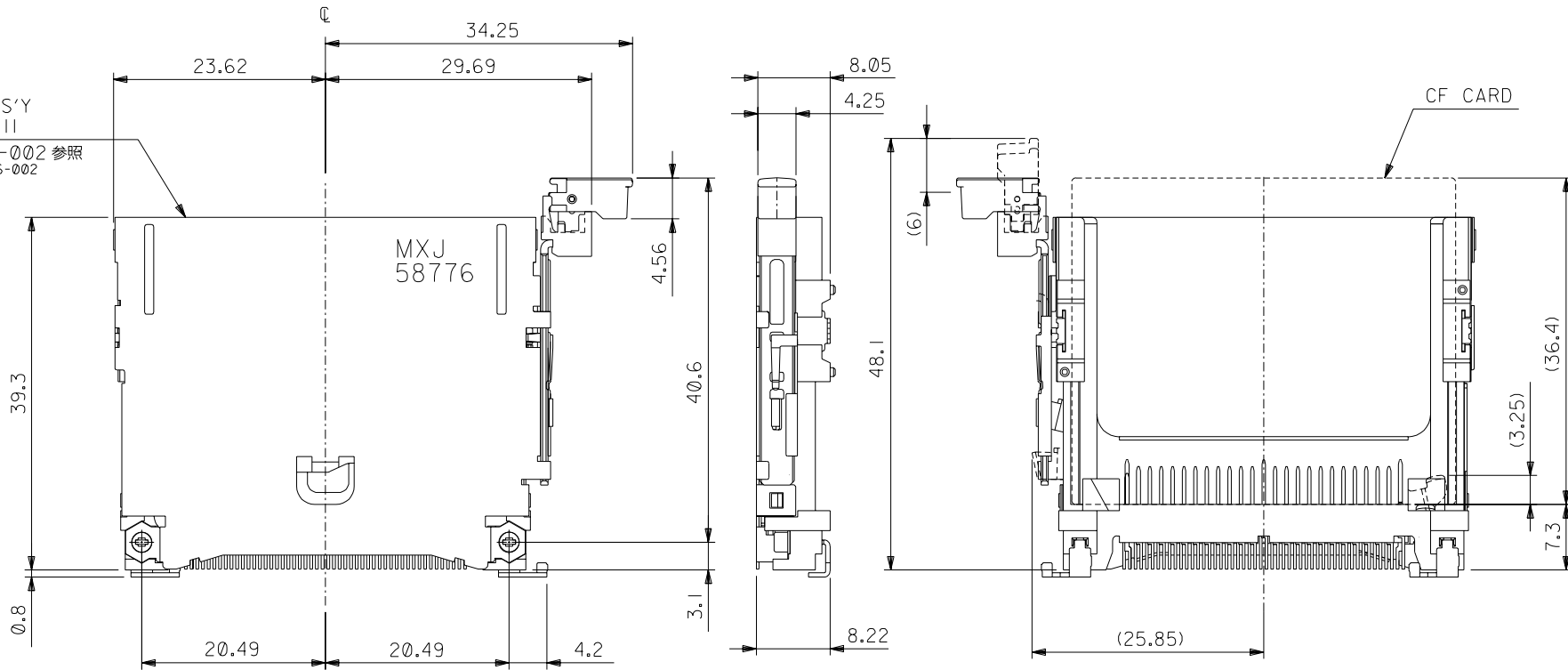
EC NO. DRAWN: CH'K: APPR:	EC NO. DRAWN: CH'K: APPR:	EC NO. DRAWN: CH'K: APPR:	EC NO. DRAWN: CH'K: APPR:	EC NO. DRAWN: CH'K: APPR:	EC NO. DRAWN: CH'K: APPR:	⑩ REV	DESCRIPTION MATERIAL 材料 FINISH 仕上げ WIRE RANGE 適用電線範囲 INS. RANGE 被覆外径	SEE NOTES SEE NOTES — —	GENERAL TOLERANCES: (UNLESS SPECIFIED) 一般公差 10 UNDER 未滿 ±0.2 10 OVER 以上 30 UNDER 未滿 ±0.25 30 OVER 以上 ±0.3 ANGLE 角度 ±3°	SCALE 2-1 DESIGN UNITS <input checked="" type="checkbox"/> mm <input type="checkbox"/> INCH DRAWN BY & DATE T. Hamaya '02/06/17 CHECKED BY & DATE H. Sato '02/06/17 APPROVED BY & DATE M. Sato '02/06/17 CAD FILENAME SD-55358-011.S02	TITLE: CF CARD CONN. 50P HEADER ASS'Y (TYPE I/II, NORMAL) MOLEX MOLEX INCORPORATED MATERIAL NO. — DRAWING NO. SD-55358-011 SHEET NO. 2	DIMENSIONS: <input type="checkbox"/> mm <input type="checkbox"/> INCH <input checked="" type="checkbox"/> mm ONLY SHT REV	REVISE ON CAD ONLY
THIS DRAWING CONTAINS INFORMATION THAT IS PROPRIETARY TO MOLEX INCORPORATED AND SHOULD NOT BE USED WITHOUT WRITTEN PERMISSION.										SIZE B			

REFERENCE USE ONLY

NORMAL MOUNT TYPE
(55358-5021 & 55356-0011)



SHELL ASS'Y
55356-0011
SD-55356-002 参照
SEE SD-55356-002



DO NOT SCALE DRAWING

EC NO. DRWN: CHK: APPR:				EC NO. DRWN: CHK: APPR:				EC NO. DRWN: CHK: APPR:				EC NO. DRWN: CHK: APPR:				SEE SHEET 1 OF 3 EC NO. DRWN: CHK: APPR:				MATERIAL 材料				GENERAL TOLERANCES: (UNLESS SPECIFIED) 一般公差				SCALE 2 - 1				DESIGN UNITS <input checked="" type="checkbox"/> mm <input type="checkbox"/> INCH				THIRD ANGLE PROJECTION				DIMENSIONS: <input type="checkbox"/> mm <input type="checkbox"/> INCH <input checked="" type="checkbox"/> mm ONLY				SHT REV											
FINISH 仕上り				WIRE RANGE 適用電線範囲				INS. RANGE 被覆外径				10 UNDER 未満				10 OVER 30 UNDER 以上 未満				30 OVER 以上				ANGLE 角度				DRAWN BY & DATE <i>T. Hamada</i> '02/06/17				CHECKED BY & DATE <i>H. Saito</i> '02/06/17				APPROVED BY & DATE <i>[Signature]</i> '02/06/17				CAD FILENAME SD-55358-011.S03				MATERIAL NO. ---				DRAWING NO. SD-55358-011				SHEET NO. 3			
																												TITLE: CF CARD CONN. 50P HEADER ASS'Y (TYPE I/II,NORMAL)				MOLEX INCORPORATED				THIS DRAWING CONTAINS INFORMATION THAT IS PROPRIETARY TO MOLEX INCORPORATED AND SHOULD NOT BE USED WITHOUT WRITTEN PERMISSION.				SIZE B															