



Chipsmall Limited consists of a professional team with an average of over 10 year of expertise in the distribution of electronic components. Based in Hongkong, we have already established firm and mutual-benefit business relationships with customers from,Europe,America and south Asia,supplying obsolete and hard-to-find components to meet their specific needs.

With the principle of “Quality Parts,Customers Priority,Honest Operation,and Considerate Service”,our business mainly focus on the distribution of electronic components. Line cards we deal with include Microchip,ALPS,ROHM,Xilinx,Pulse,ON,Everlight and Freescale. Main products comprise IC,Modules,Potentiometer,IC Socket,Relay,Connector.Our parts cover such applications as commercial,industrial, and automotives areas.

We are looking forward to setting up business relationship with you and hope to provide you with the best service and solution. Let us make a better world for our industry!



## Contact us

Tel: +86-755-8981 8866 Fax: +86-755-8427 6832

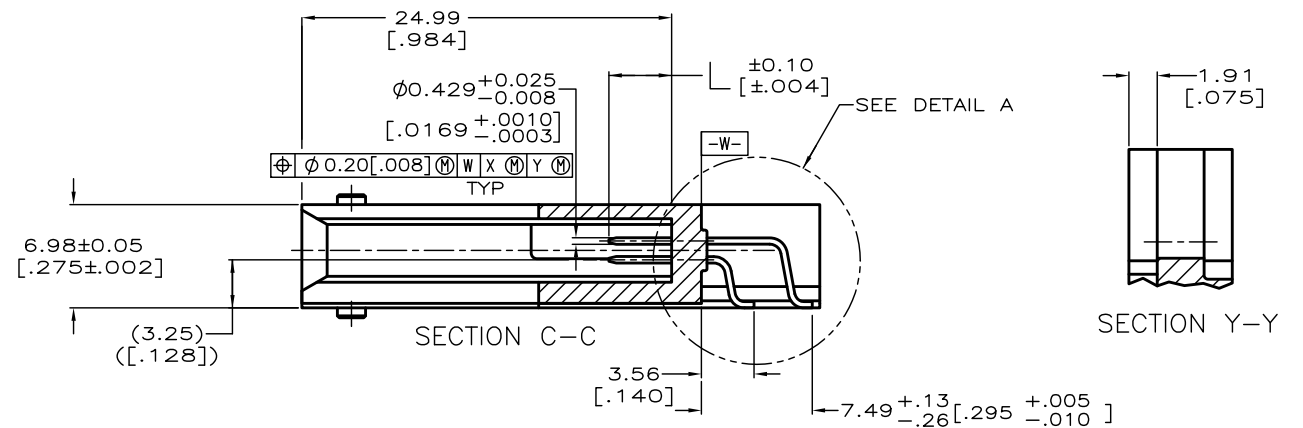
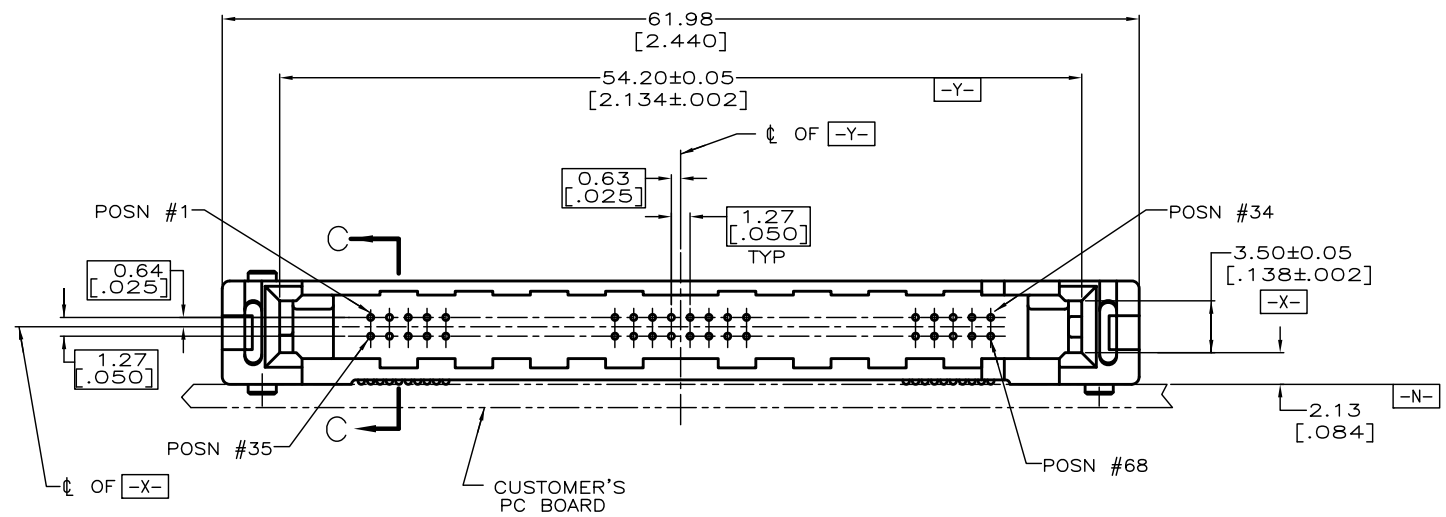
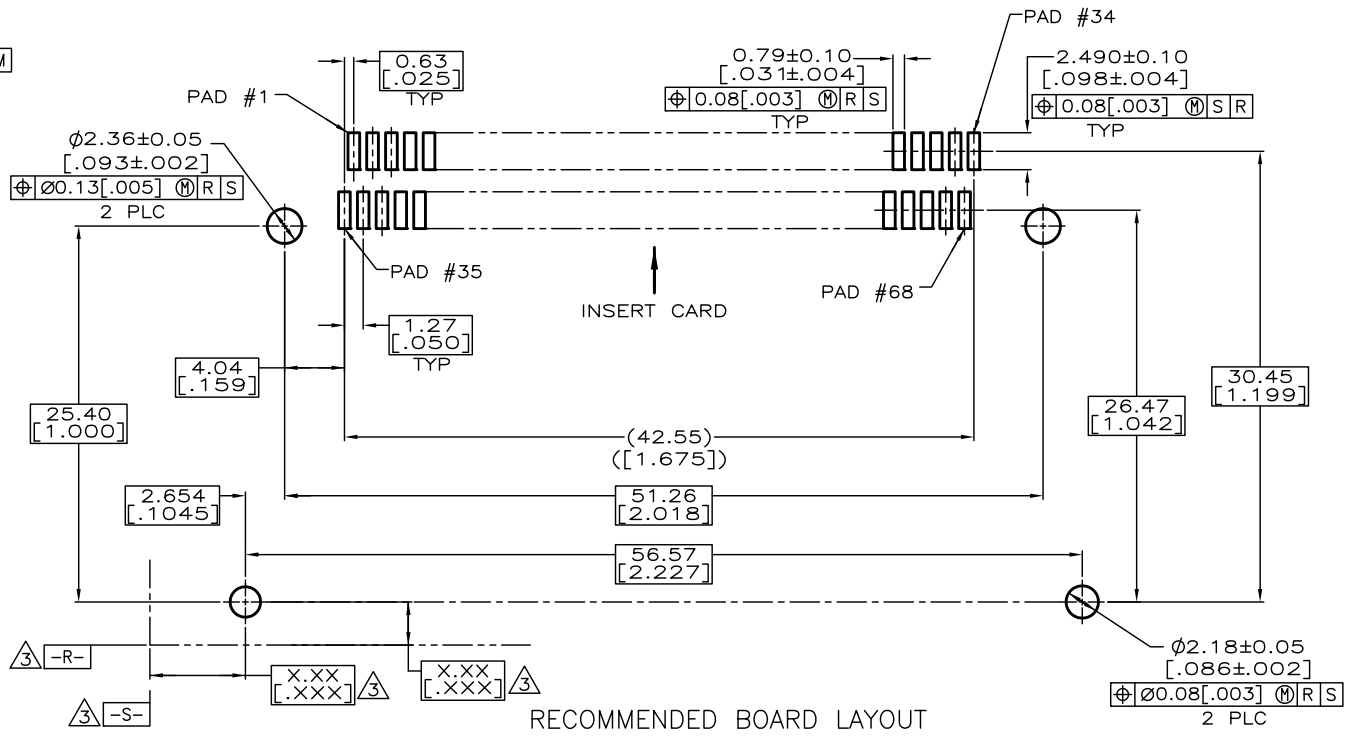
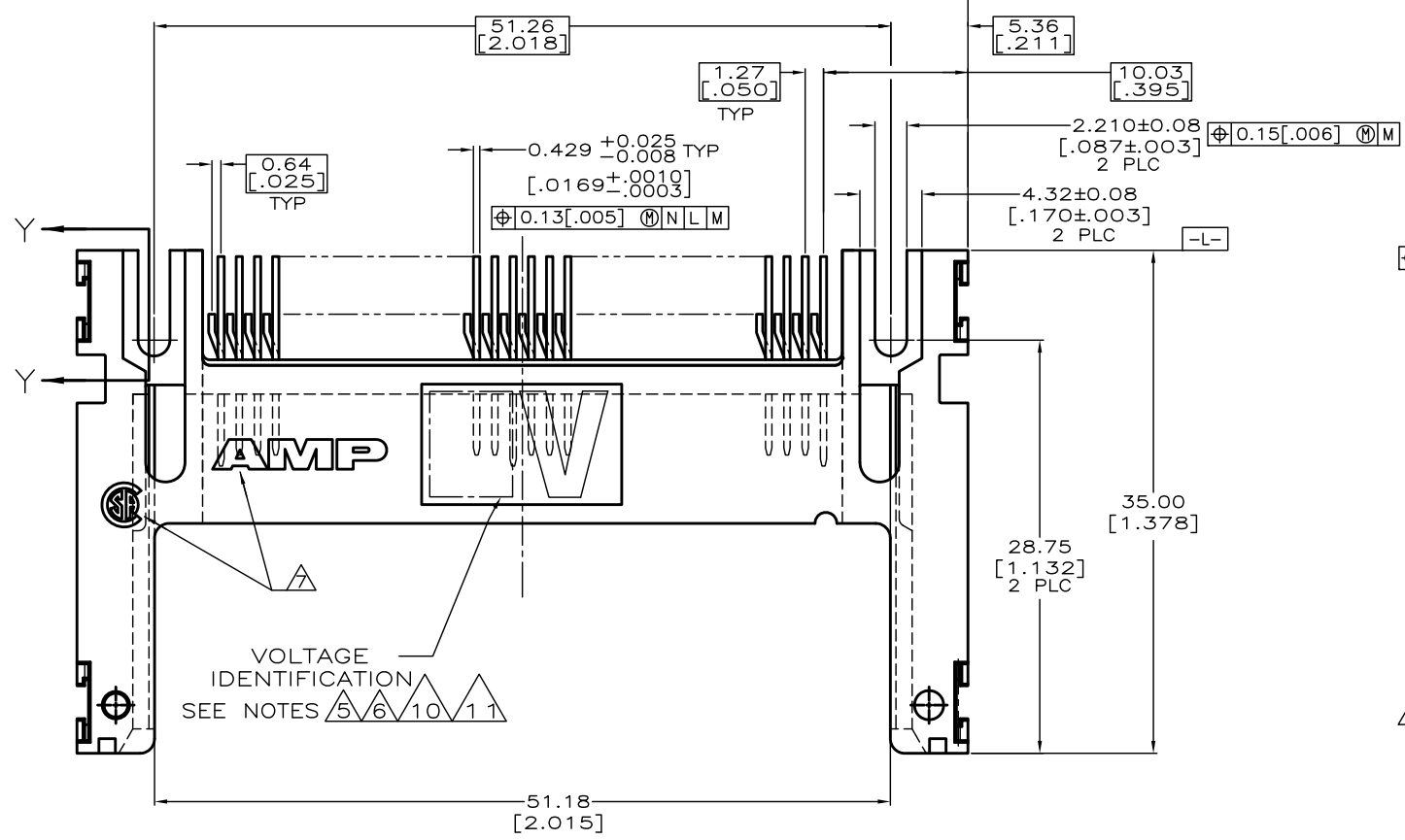
Email & Skype: info@chipsmall.com Web: www.chipsmall.com

Address: A1208, Overseas Decoration Building, #122 Zhenhua RD., Futian, Shenzhen, China

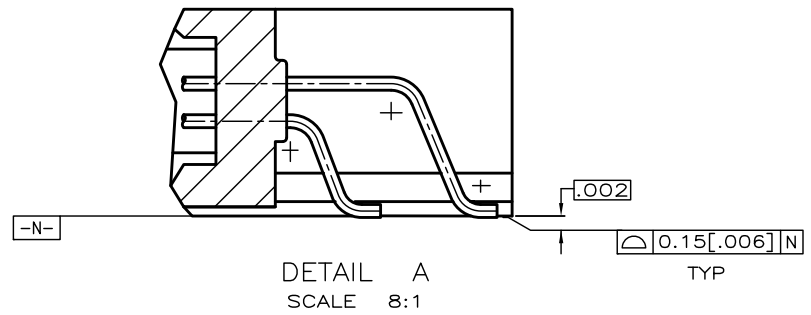


THIS DRAWING IS UNPUBLISHED. RELEASED FOR PUBLICATION.  
 BY TYCO ELECTRONICS CORPORATION. ALL RIGHTS RESERVED.

REVISED		REVISIONS			
NO	DATE	DESCRIPTION	DATE	BY	CHK
A		REVISED (ECR-12-018088)	26MAR'13	BW	HK



- 1 PIN: 0.00076[.000030] MINIMUM GOLD IN CONTACT AREA, 0.00381[.000150] MIN TIN ON SOLDER TAILS, ALL OVER 0.00127[.000050] MINIMUM NICKEL
- 2. CUSTOMER TO PROVIDE CARD GUIDANCE SYSTEM
- 3 DATUMS AND BASIC DIMENSIONS ESTABLISHED BY CUSTOMER
- 4. CONNECTOR REQUIRES USE OF 2 - SIZE 2M SCREWS FOR FASTENING TO PRINTED CIRCUIT BOARD
- 5 ASSEMBLY KEYED FOR 5 VOLT CARDS
- 6 ASSEMBLY KEYED FOR LOW VOLT CARDS (3.3V)
- 7 RECESSED AMP AND CSA LOGOS LOCATED ON BOTH SIDES OF HOUSING.
- 8 PACKAGE IN TRAYS, 9 X 17 INCH APPROXIMATE SIZE.
- 9 PACKAGE IN TRAYS, 9 X 12 INCH APPROXIMATE SIZE.
- 10 NO VOLTAGE IDENTIFICATION ON 5535651-5 KEYED FOR 5V CARDS.
- 11 NO VOLTAGE IDENTIFICATION ON 5535651-6. KEYED FOR LV CARDS.
- 12 HOUSING: LPC COLOR: BLACK PIN: BRASS.



NOTE	DESCRIPTION	QUANTITY	UNIT	OTHER PINS	QUANTITY	UNIT	PART NUMBER
11	TAPE AND REEL	1,17,34		ALL OTHER PINS	36,67		5535651-6
10	TAPE AND REEL	1,17,34		ALL OTHER PINS	36,67		5535651-5
9	TRAYS	1,17,34		ALL OTHER PINS	36,67		5535651-4
8	TAPE AND REEL	1,17,34		ALL OTHER PINS	36,67		5535651-3
7	TRAYS	1,17,34		ALL OTHER PINS	36,67		5535651-2
6	TRAYS	1,17,34		ALL OTHER PINS	36,67		5535651-1
VOLTAGE KEYING & IDENTIFICATION		5.0	4.25	3.5	PART NUMBER		
		[.197]	[.167]	[.138]	"L" (PIN LENGTH) AND LOCATION		

**COPYRIGHT 2005 TYCO ELECTRONICS CORP ALL RIGHTS RESERVED**

THIS DRAWING IS A CONTROLLED DOCUMENT.

DRAWN: L. VARELA - DOCKS	DATE: 03-23-05	NAME: M. WALMSLEY
CHK: D.L. GORENC	DATE: 03-23-05	NAME:
TOLERANCES UNLESS OTHERWISE SPECIFIED:		
0 PLC ± .01	1 PLC ± .01	2 PLC ± .01
3 PLC ± .015	4 PLC ± .015	5 PLC ± .015
6 PLC ± .02	7 PLC ± .02	8 PLC ± .02
9 PLC ± .025	10 PLC ± .025	11 PLC ± .025
12 PLC ± .03	13 PLC ± .03	14 PLC ± .03

PRODUCT SPEC: APPLICATION SPEC

WEIGHT: 6.5 GRAMS

SIZE: A1

CAGE CODE: 00779

DRAWING NO: 5535651

CUSTOMER DRAWING

SCALE: 4:1

SHEET 1 OF 1

REV A