



Chipsmall Limited consists of a professional team with an average of over 10 year of expertise in the distribution of electronic components. Based in Hongkong, we have already established firm and mutual-benefit business relationships with customers from,Europe,America and south Asia,supplying obsolete and hard-to-find components to meet their specific needs.

With the principle of "Quality Parts,Customers Priority,Honest Operation,and Considerate Service",our business mainly focus on the distribution of electronic components. Line cards we deal with include Microchip,ALPS,ROHM,Xilinx,Pulse,ON,Everlight and Freescale. Main products comprise IC,Modules,Potentiometer,IC Socket,Relay,Connector.Our parts cover such applications as commercial,industrial, and automotives areas.

We are looking forward to setting up business relationship with you and hope to provide you with the best service and solution. Let us make a better world for our industry!



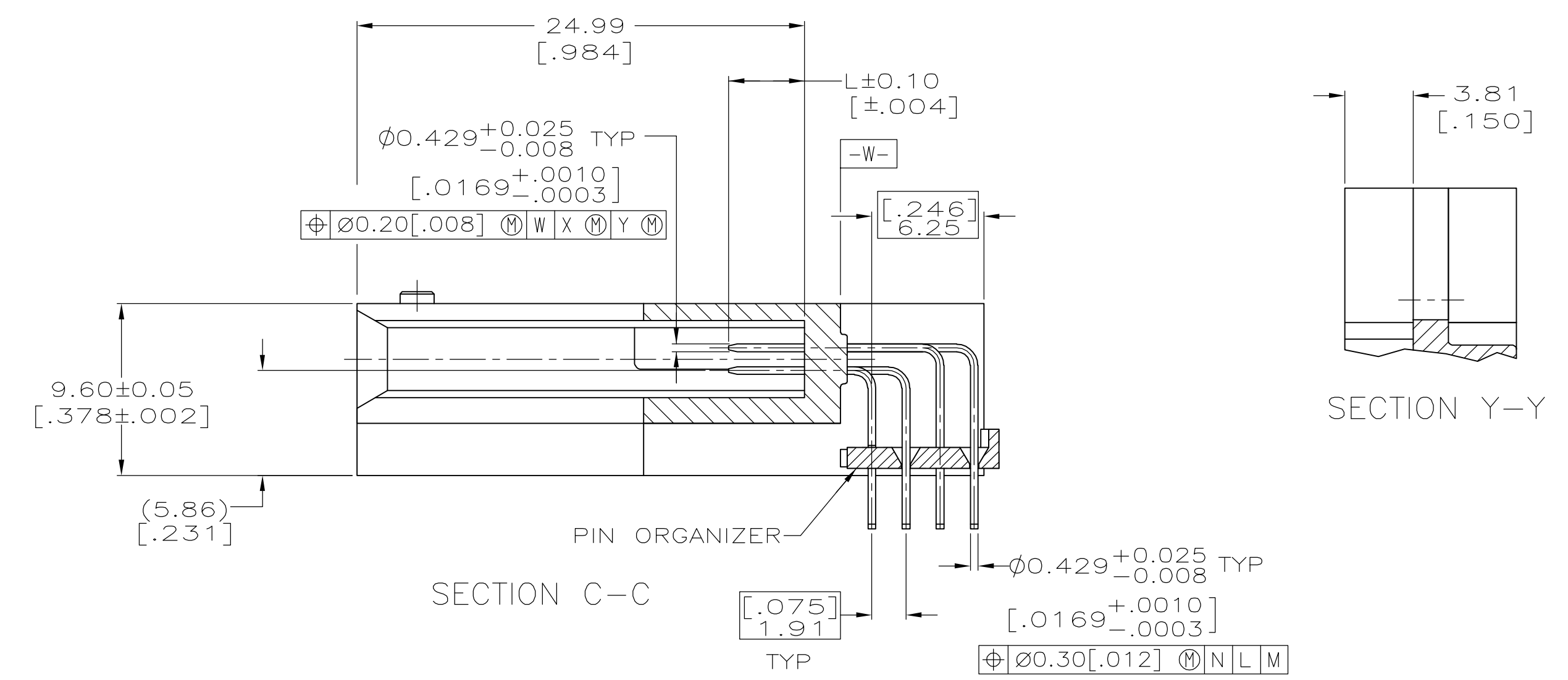
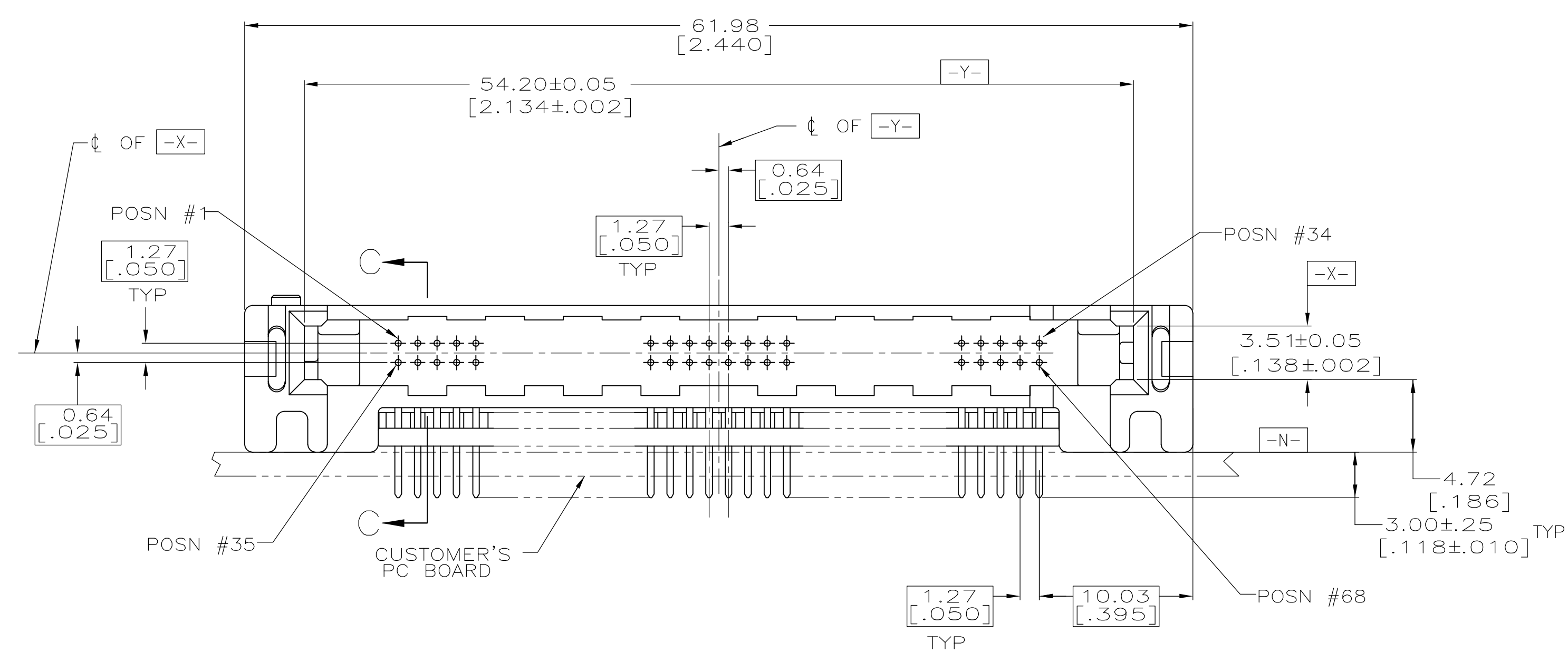
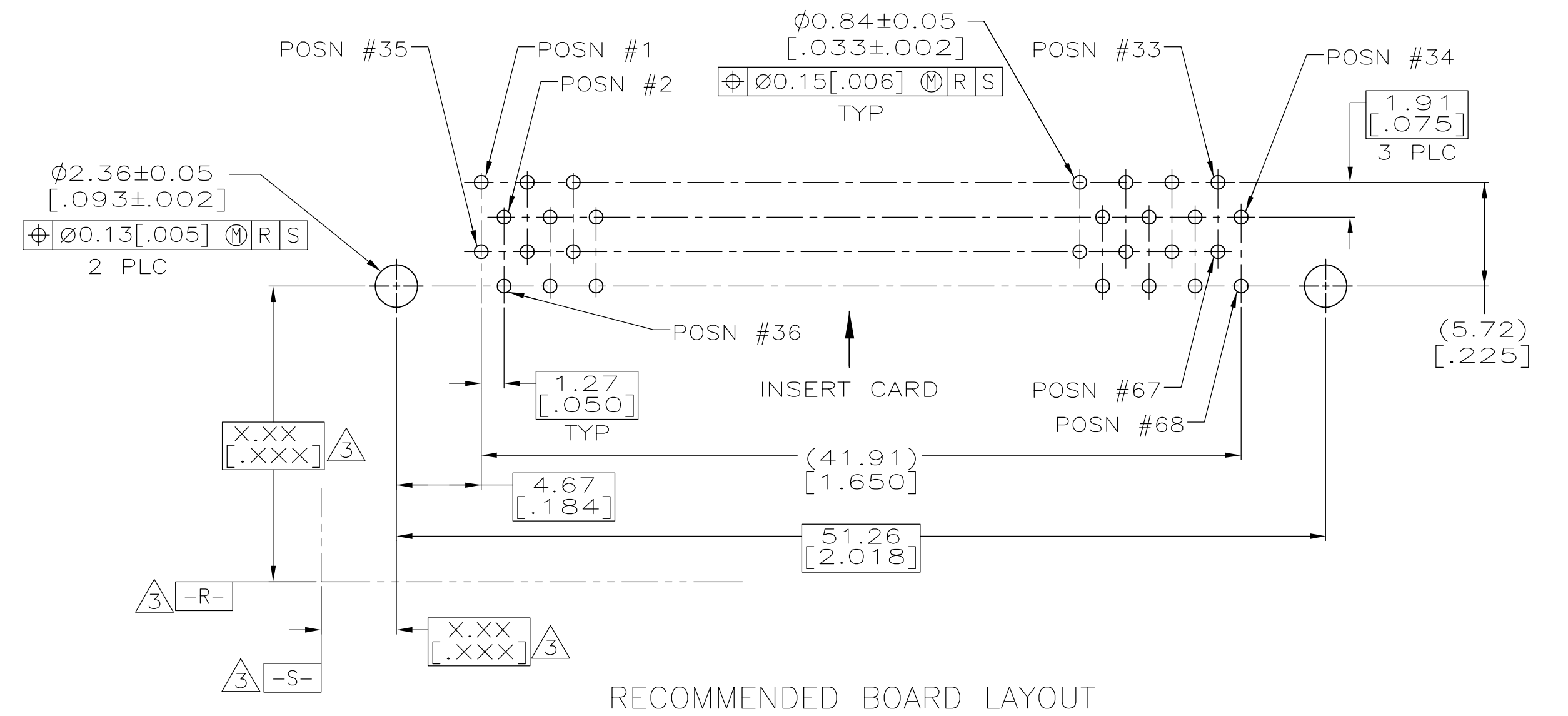
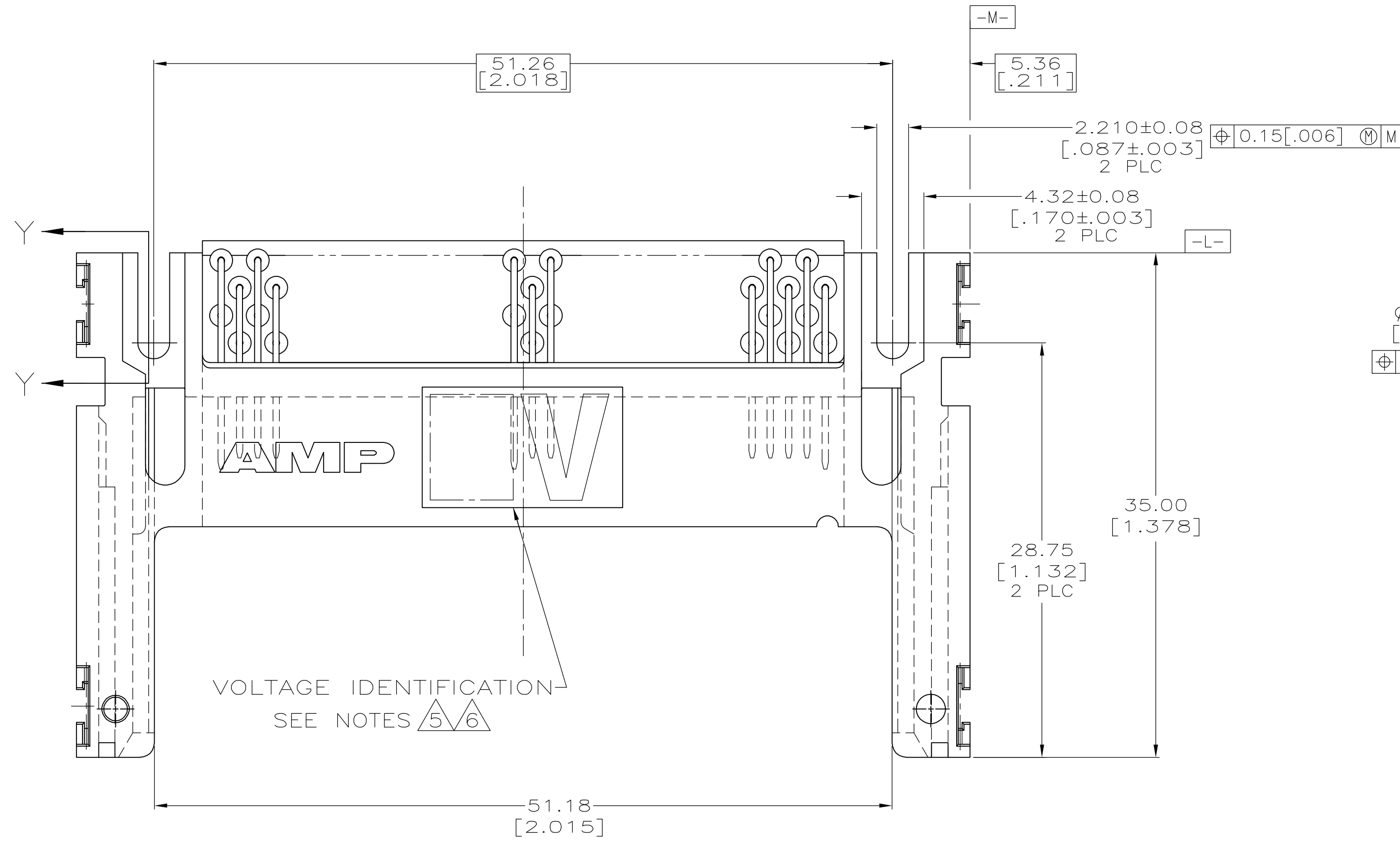
## Contact us

Tel: +86-755-8981 8866 Fax: +86-755-8427 6832

Email & Skype: info@chipsmall.com Web: www.chipsmall.com

Address: A1208, Overseas Decoration Building, #122 Zhenhua RD., Futian, Shenzhen, China





- ① PINS: 0.00076[.000030] MINIMUM GOLD IN CONTACT AREA, 0.00381[.000150] MIN TIN ON SOLDER TAILS, ALL OVER 0.00127[.000050] MINIMUM NICKEL.
- 2. CUSTOMER TO PROVIDE CARD GUIDANCE SYSTEM.
- ③ DATUMS AND BASIC DIMENSIONS ESTABLISHED BY CUSTOMER.
- 4. CONNECTOR REQUIRES USE OF 2 - SIZE 2M SCREWS FOR FASTENING TO PRINTED CIRCUIT BOARD.
- ⑤ ASSEMBLY KEYED FOR 5 VOLT CARDS.
- ⑥ ASSEMBLY KEYED FOR LOW VOLT CARDS (3.3V).
- ⑦ HOUSING & ORGANIZER: LCP, COLOR; BLACK. PINS: BRASS.

⑥	1,17,34	ALL OTHER PINS	36,67	5535655-2
	35,51,68	OTHER PINS		
⑤	1,17,34	ALL OTHER PINS	36,67	5535655-1
	35,51,68	OTHER PINS		
VOLTAGE KEYING & IDENTIFICATION	5.0	4.25	3.5	PART NO
	[.197]	[.167]	[.138]	
"L" (PIN LENGTH) AND LOCATION				

THIS DRAWING IS A CONTROLLED DOCUMENT.		DWN L VARELA - DOCK5 03-23-05	Tyco Electronics Corporation Harrisburg, PA 17105-3608	
DIMENSIONS: mm [INCHES]		CHK S BOLASH 03-23-05	APVD M WALMSLEY 03-23-05	
TOLERANCES UNLESS OTHERWISE SPECIFIED:		NAME		
0 PLC	± .13 [005]	PRODUCT SPEC		
1 PLC	± .13 [005]	APPLICATION SPEC		
2 PLC	± .13 [005]	SIZE CASE CODE DRAWING NO		
3 PLC	± .13 [005]	WEIGHT 8.5 GRAMS A1 00779 C=5535655		
4 PLC	± .13 [005]	CUSTOMER DRAWING		
ANGLES	± .13 [005]	SCALE 4:1 SHEET 1 OF 1 REV 0		
FINISH	①	RESTRICTED TO		

**COPYRIGHT 2005  
 TYCO ELECTRONICS CORP  
 ALL RIGHTS RESERVED**